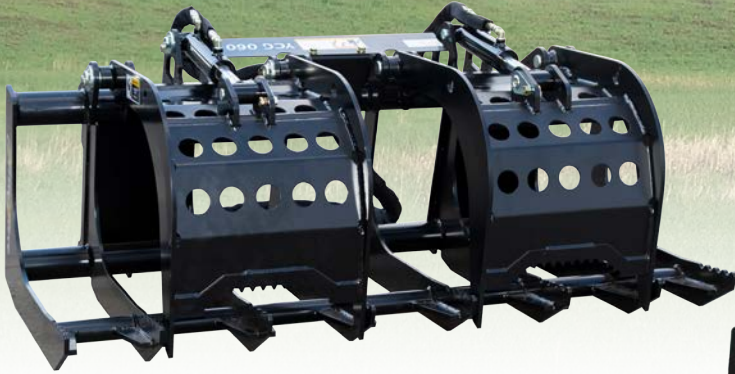


Compact, Light Duty Root Grapple



YCG 060



Grapple Tooth



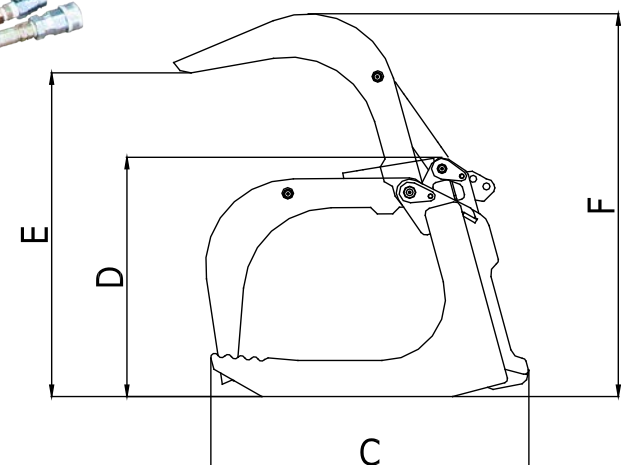
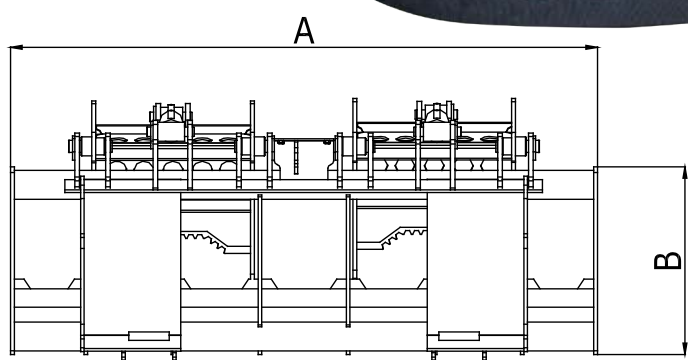
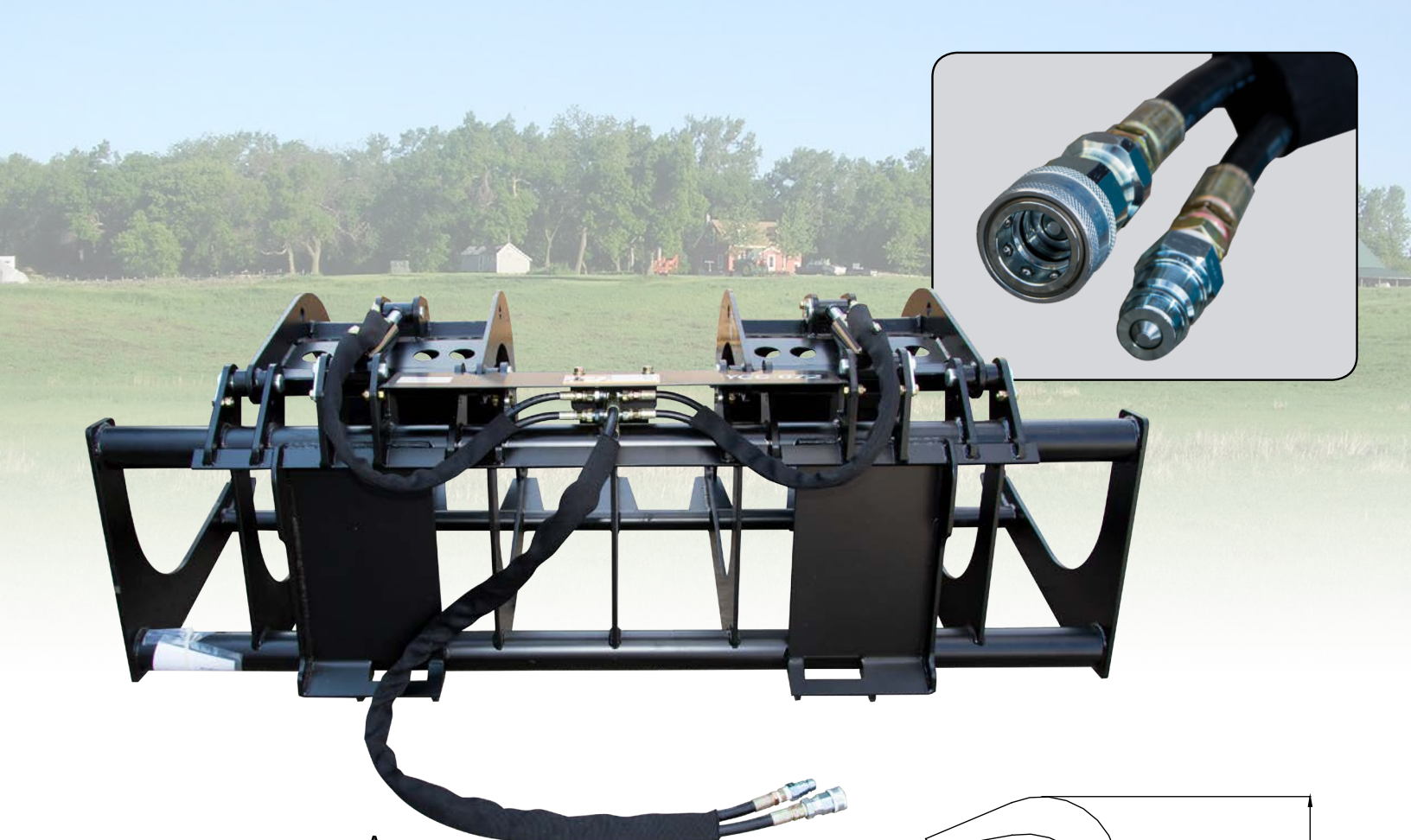
YCG 066



YCG 072

Product Features

- *Designed for compact tractor loaders : up to 50 horse power*
- *Maximum grapple clamping force : 1,500lbs@2,000psi*
- *1/2" AG coupler*
- *Laser cut for precision*



SPECIFICATIONS

Units : Inch, Lbs, Ea

MODEL	YCG 060	YCG 066	YCG 072
Overall Width (A)	60"	66"	72"
Overall Depth (B)	33"	33"	33"
Overall Height (C) - Grapple Closed	25"	25"	25"
Overall Height (E) - Grapple Opened	41"	41"	41"
Max. Tooth Opening (D)	36"	36"	36"
Number of Teeth	8	9	9
Cylinders	2 pcs	2 pcs	2 pcs
Operating Weight	485 lbs	509 lbs	525 lbs



Terra Force, Inc.

Ph:972-242-4761

Email: sales@terraforceinc.com

www.terraforceinc.com