

ANSUNG
ansungusa.com

ANSUNG

ANSUNG FRONT END LOADER

Ansung equipment produces more power, better performance and superior strength.



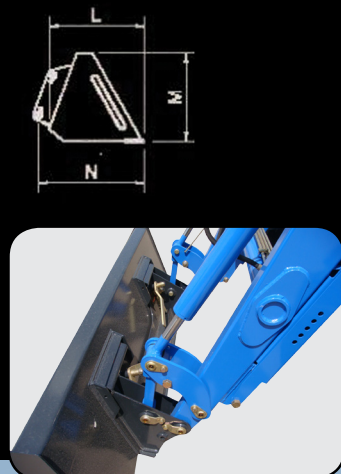
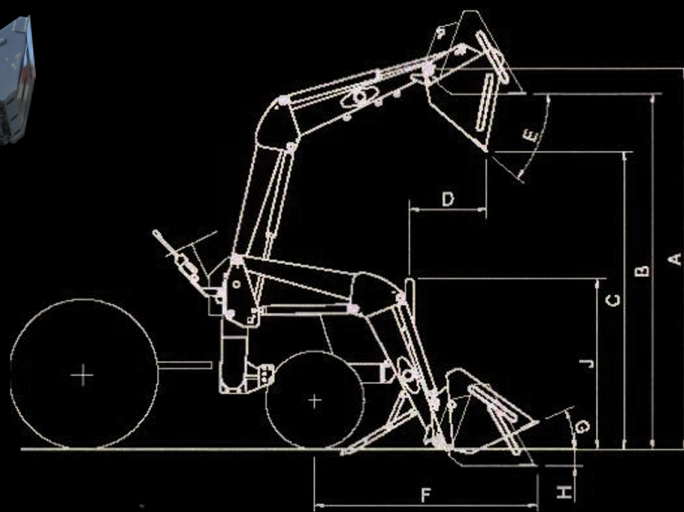
NTC 30 QB



4505 QB



NTC 32 QB



SPECIFICATIONS

Ansung Loader Model	NTC32	NTC30	4505	T6075	FE750H STOLL
Tractor Model	TC29/TC31/TC33 TC33D/TC30/ TC25/ T1510	T1510/T1520/ TC30	WorkMaster 45/55	WorkMaster 65/75 TT60A/TT75A	TD5050 TD5030
A. Maximum Lift Height	100.9"	100.9"	111.0"	118.0"	135"
B. Clearance w/ Attachment Level	90.5"	90.5"	98.9"	106.0"	123.8"
C. Clearance w/Attachment Dumped	71.0"	71.0"	80.1"	84.0"	102.2"
D. Reach @ Maximum Height	31.8"	31.8"	25.9"	25.9"	28.8"
E. Maximum Dump Angle	48°	48°	47°	62°	63°
F. Reach w/Attachment on Ground	72.6"	72.6"	69.0"	70.4"	76.7"
G. Attachment Rollback Angle	26°	26°	35°	40°	42°
H. Digging Depth Below Grade	3.14"	3.14"	2.8"	3.4"	5.1"
J. Overall Height in Carry Position	40.5"	40.5"	61.2"	58.0"	69.9"
L. Depth of Attachment (to pivot pin)	23.6"	23.6"	23.6"	24.0"	24.0"
M. Height of Attachment	21.7"	21.7"	22.2"	23.7"	23.7"
N. Depth of Attachment (to pivot point)	28.9"	28.9"	29.6"	30.5"	30.7"
Lift Capacity to Full Height @ Pivot Pin	1,205 lbs	1,205 lbs	2,650 lbs	3,000 lbs	3,860 lbs
Breakout Force @ Ground Level, Pivot Pin	2,010 lbs	2,010 lbs	4,127 lbs	4,300 lbs	5,120 lbs
Relief Valve Setting (Loader Control Valve)	2,489 psi. hyd	2,489 psi. hyd	2,674 psi. hyd	2,750 psi. hyd	2,845 psi. hyd
Lift Cylinder	1.77"	1.77"	2.17"	2.55"	2.76"
Bucket Cylinder	1.97"	1.97"	2.17"	2.36"	2.76"
Bucket Size	60"	60"	72"	72"	82"

* Skid Steer Quick Attach Bucket : Standard



Ansung-USA, LLC.

Ph:972-242-4761

Email: sales@ansungusa.com

www.ansungusa.com