

# **PARTS MANUAL**

## **B3605**



## **Front-End Loader**

**M09008**

**Printed 2010, 06, 17**

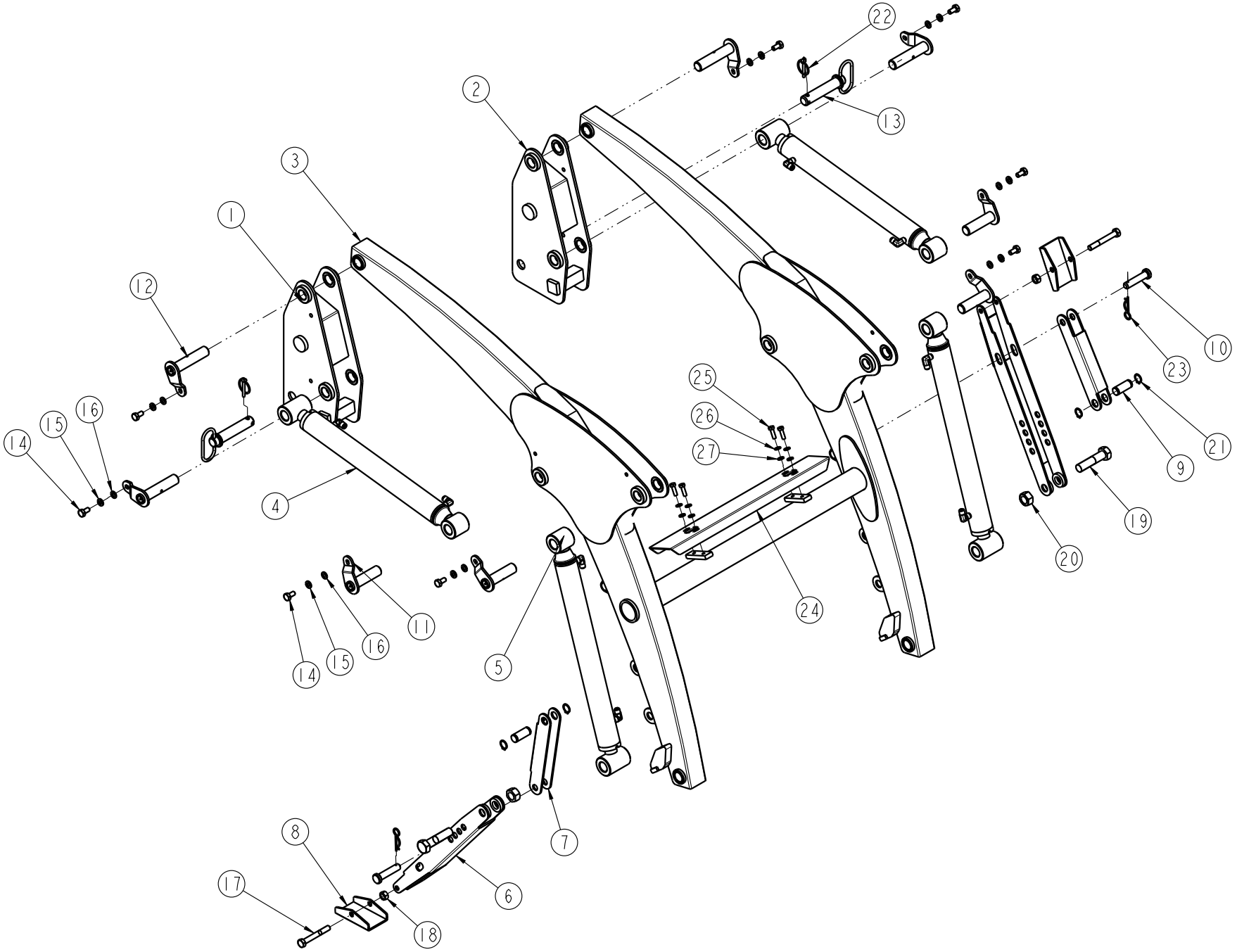
# Table of Contents

(B3605)

Boom Assembly -----	2
Bucket Assembly -----	4
Mounting Kit Assembly -----	6
Cylinder Assembly -----	8
Hydraulic Parts -----	10
Decal & Manual -----	12

CI500A

BC018,00-D01

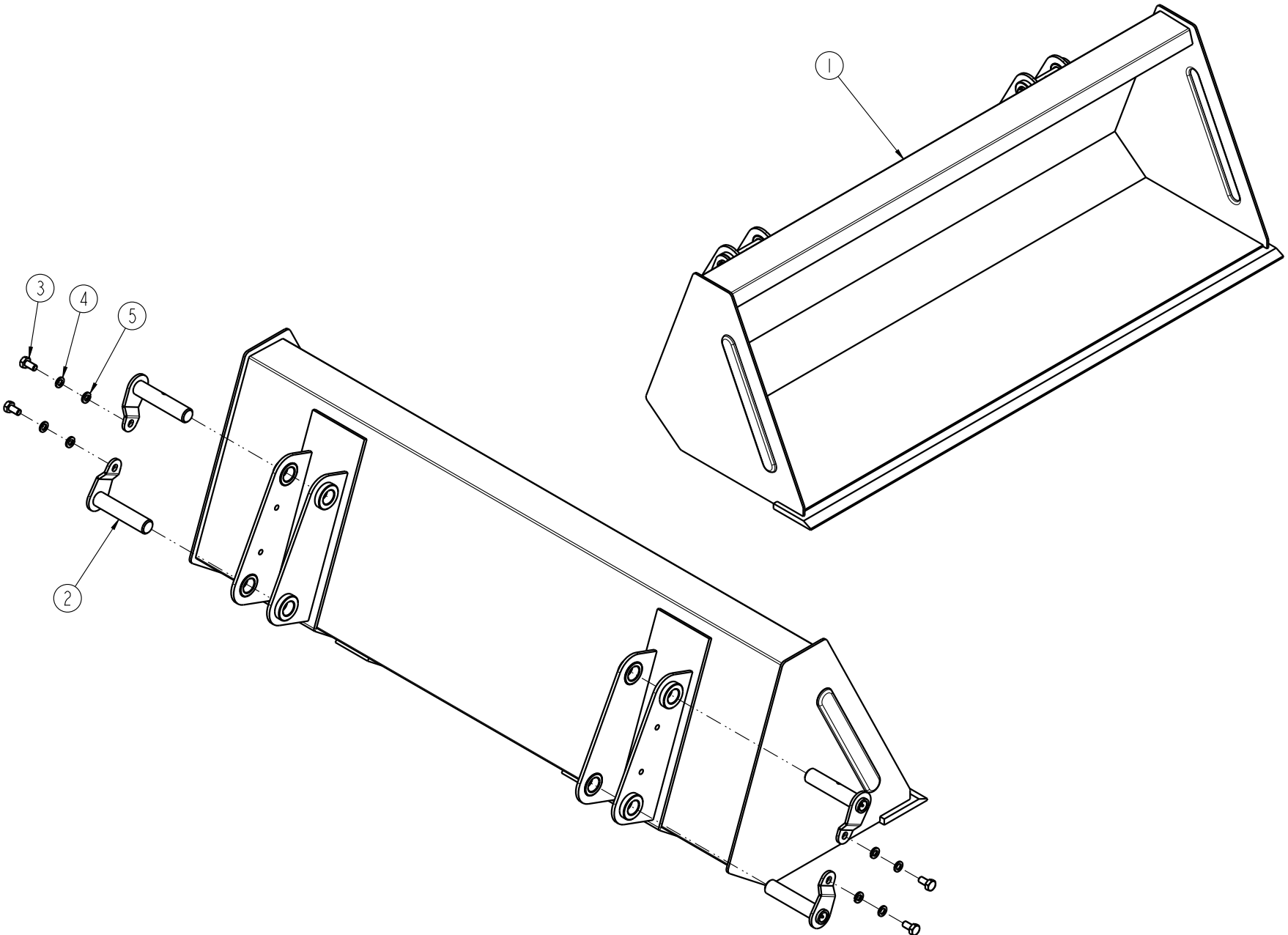


# BOOM ASSEMBLY

# BOOM ASSEMBLY (P/N:C1500A)

NO.	PART NUMBER	PART NAME	DESCRIPTION	Q'TY	REMARK
1	C1500A-3100	COLUMN, RH.		1	
2	C1500A-3200	COLUMN, LH.		1	
3	C1500A-0000	BOOM ASSY		1	
4	C1500A-8000	BOOM CYLINDER	∅ 45x∅ 30x565LxST335	2	
5	C1500A-9000	BUCKET CYLINDER	∅ 45x∅ 30x605LxST381	2	
6	1400B-8100	STAND		2	
7	1400B-8200	BRACKET	4†	2	
8	4060A-8400	BRACKET	4†	2	
9	4060A-8520	PIN	∅ 20x48L	2	
10	4060A-8530	PIN	∅ 16x80L	2	
11	P25A-090A	PIN	∅ 25	4	
12	P25A-115A	PIN	∅ 25	4	
13	P25C-1030	PIN	∅ 25	2	
14	BH1044150Z	BOLT(10.9T)	M10x20L	8	
15	WS10M	SPRING WASHER	M10	8	
16	WP10M	PLAIN WASHER	M10	8	
17	BH1216175Z	BOLT(10.9T)	M12x90L	2	
18	NL12175Z	LOCK NUT	M12	2	
19	BH20H5250X	BOLT(10.9T)	M20x85L	2	
20	NL20250Z	LOCK NUT	M20	2	
21	SN20M	SNAP RING	∅ 20	4	
22	AL20-98-9990	LINK PIN		2	
23	PR30045	R-PIN	∅ 3	2	
24	C1400B-7010	COVER	2.3†	1	
25	BH0855125Z	BOLT	M8x25L	4	
26	WP08M	PLAIN WASHER	M8	4	
27	WS08M	SPRING WASHER	M8	4	

# BUCKET ASSEMBLY



BT25B-0000

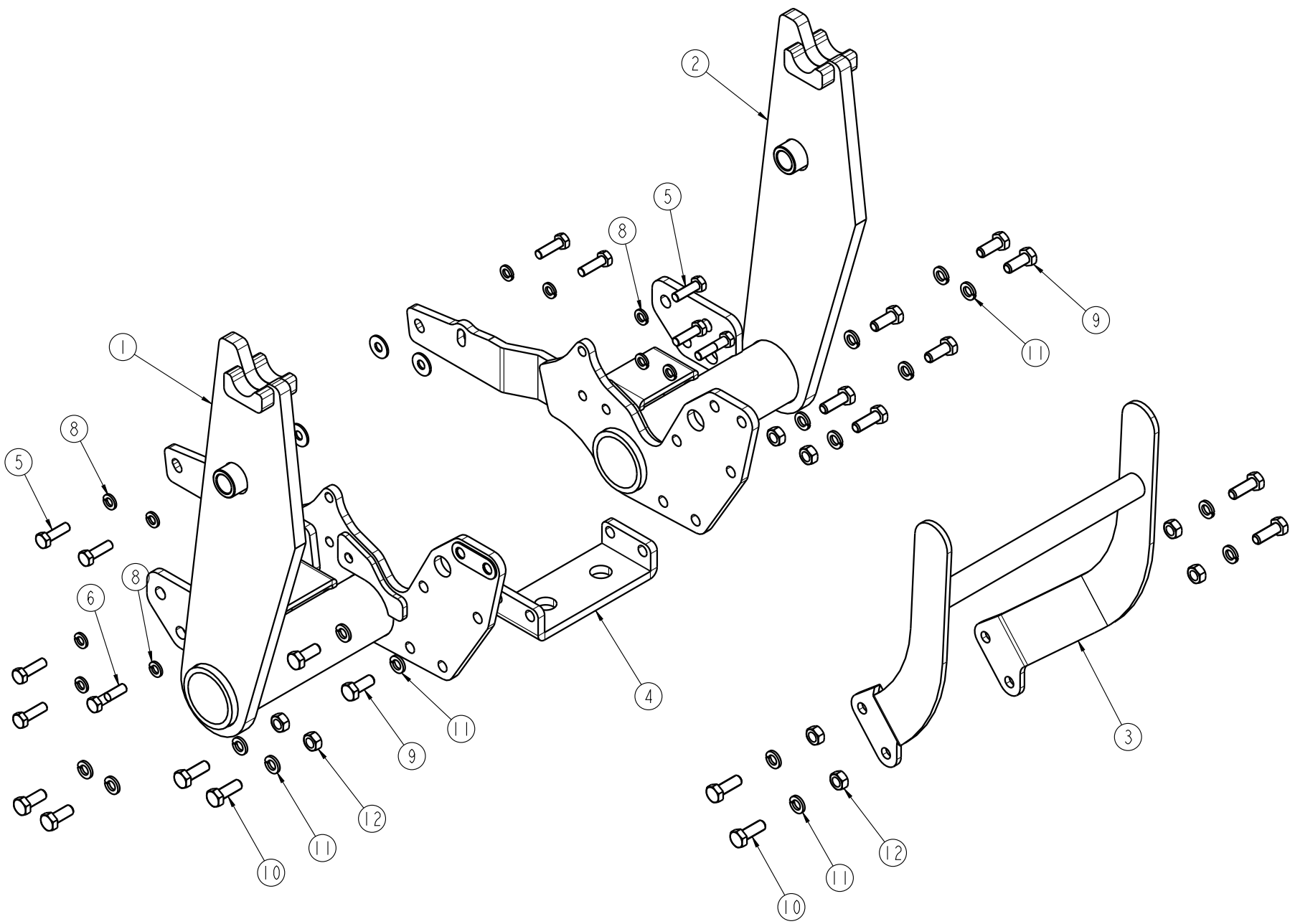
BK02100-D01

# BUCKET ASSEMBLY

(P/N:BT25B-0000)

NO.	PART NUMBER	PART NAME	DESCRIPTION	Q'TY	REMARK
1	BT25B-1000	BUCKET ASSY	L=1270	1	
2	P25A-115A	PIN	Ø25	4	
3	BH1044150Z	BOLT(10.9T)	M10x20L	4	
4	WP10M	PLAIN WASHER	M10	4	
5	WS10M	SPRING WASHER	M10	4	

# MOUNTING KIT ASSEMBLY



B2920A

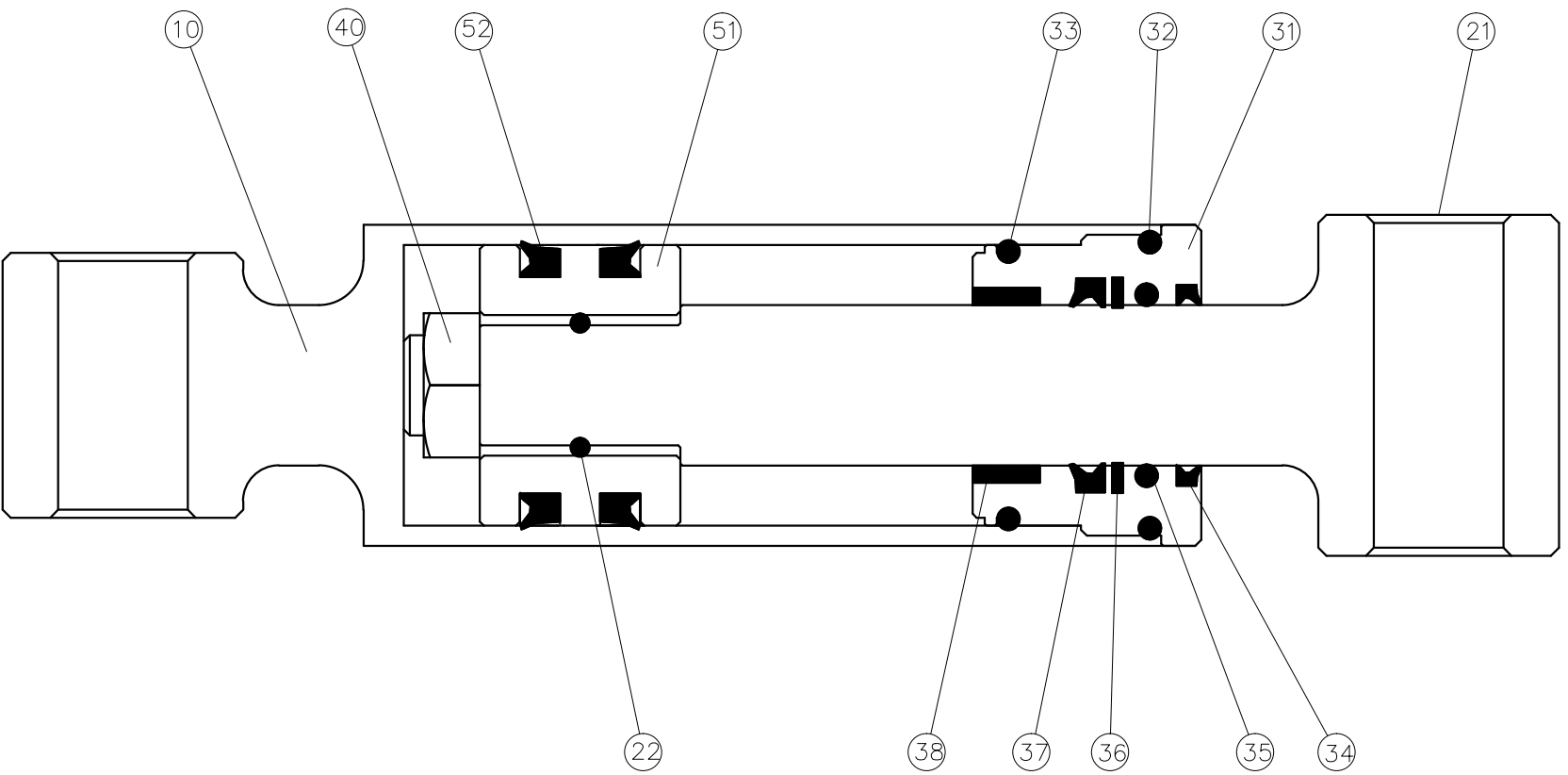
B2920A.00-D01

## MOUNTING KIT ASSEMBLY (P/N:B2920A)

NO.	PART NUMBER	PART NAME	DESCRIPTION	Q'TY	REMARK
1	B2920A-1100	SUB FRAME, RH.		1	
2	B2920A-1200	SUB FRAME, LH.		1	
3	B2920A-4100	BUMPER		1	
4	B2920A-6110	UNDER BAR	12+	1	
5	BH1288175Z	BOLT(10.9T)	M12x40L	8	
6	BH12A6175Z	BOLT(10.9T)	M12x50L	2	
7	WP12W	PLAIN WASHER	M12 WOOD	4	
8	WS12M	SPRING WASHER	M12	10	
9	BH1477150Z	BOLT(10.9T)	M14x35Lx1.5P	8	
10	BH1488200Z	BOLT(10.9T)	M14x40L	8	
11	WS14M	SPRING WASHER	M14	16	
12	NH14200Z	NUT	M14	8	



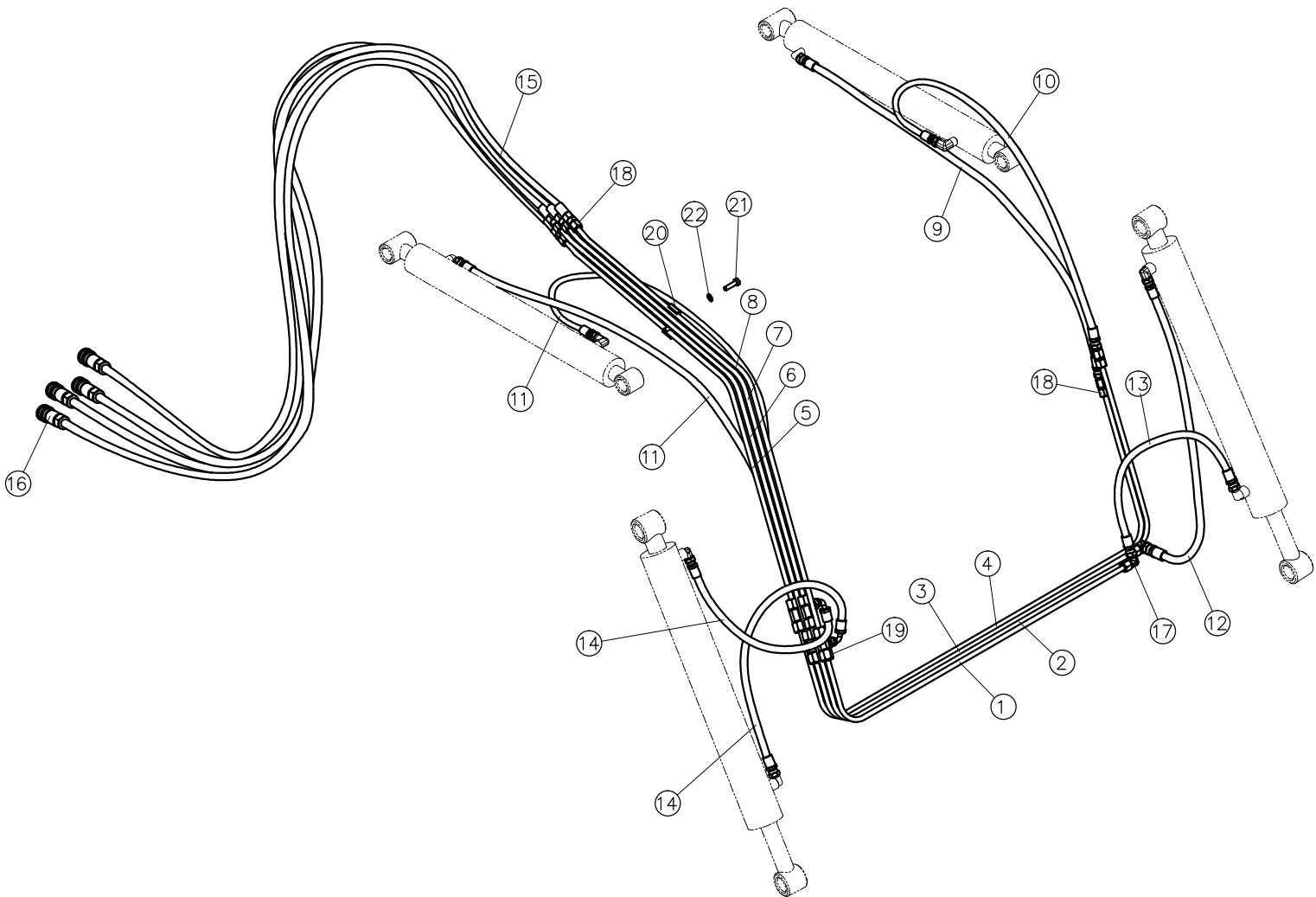
# CYLINDER ASSEMBLY



# CYLINDER ASSEMBLY

NO.	PART NAME	PART NUMBER		Q'TY	REMARK
		BUCKET (C1500A-9000)	BOOM (C1500A-8000)		
10	TUBE	C1500A-05-1210	C1500A-05-2210	1	
21	ROD	C1500A-05-1110	C1500A-05-2110	1	
22	O-RING	1BP18	1BP18	1	
31	COVER ROD	C1500A-05-2220	C1500A-05-2220	1	
32	O-RING	1BG45	1BG45	1	
33	O-RING	1BP39	1BP39	1	
34	DUST SEAL	LBI 30x38x5/6.5	LBI 30x38x5/6.5	1	
35	O-RING	1BP30	1BP30	1	
36	BACK UP RING	BRT3 30x40x2	BRT3 30x40x2	1	
37	U-PACKING	ISI 30x40x6	ISI 25x33x5	1	
38	DU BUSH	DU3020	DU3020	1	
40	NUT	ALN191-05-2150	ALN191-05-2150	1	M20x2.0
51	PISTON	C1500A-05-1120	C1500A-05-1120	1	
52	U-PACKING	ODI 45x35x6	ODI 45x35x6	2	
	SEAL KIT (Include 22,32,33, 34,35,36,37,38,52)	SEAL 4530	SEAL 4530		

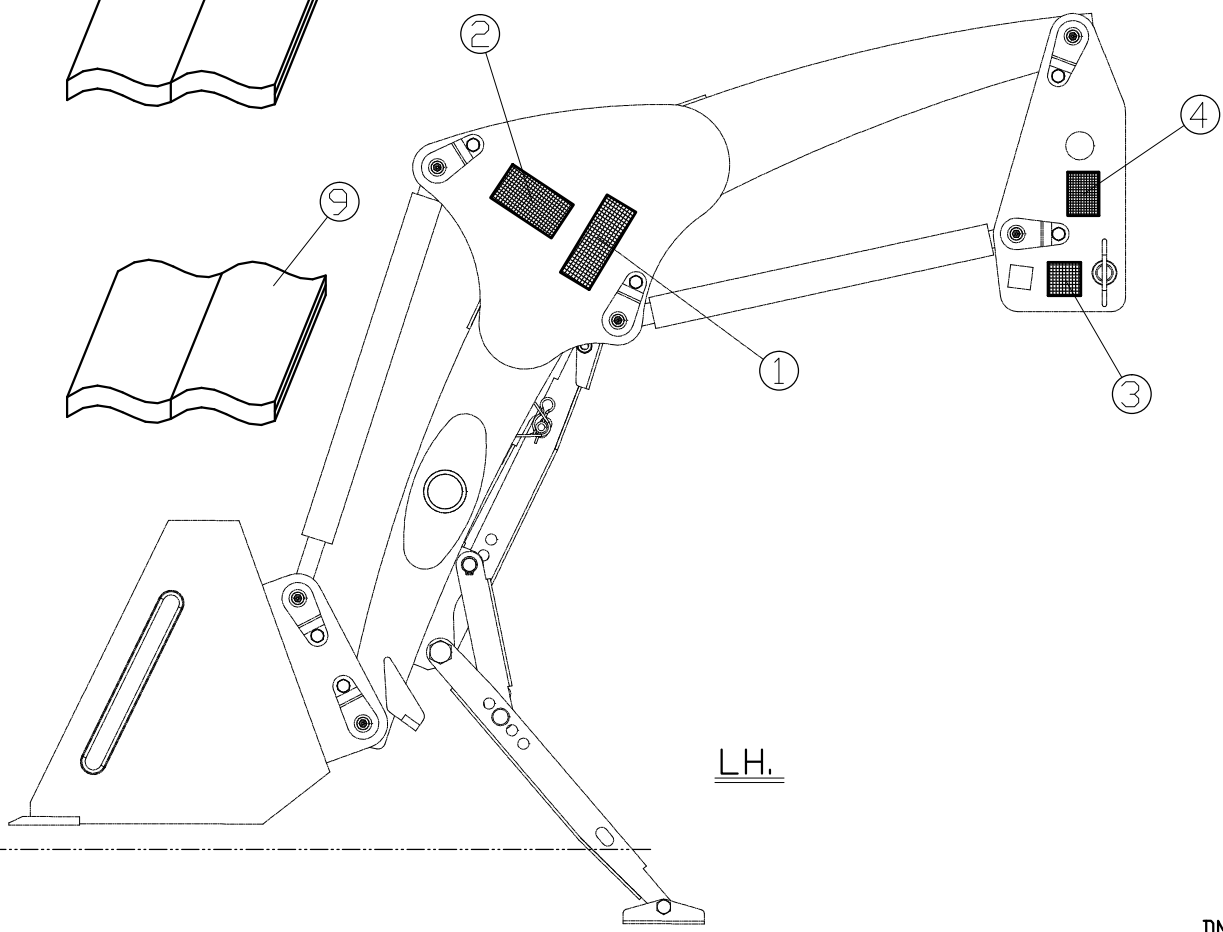
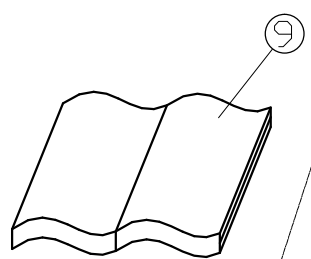
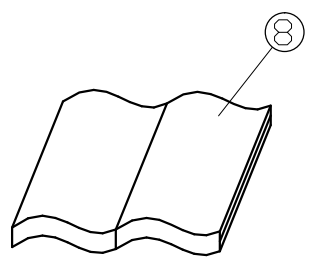
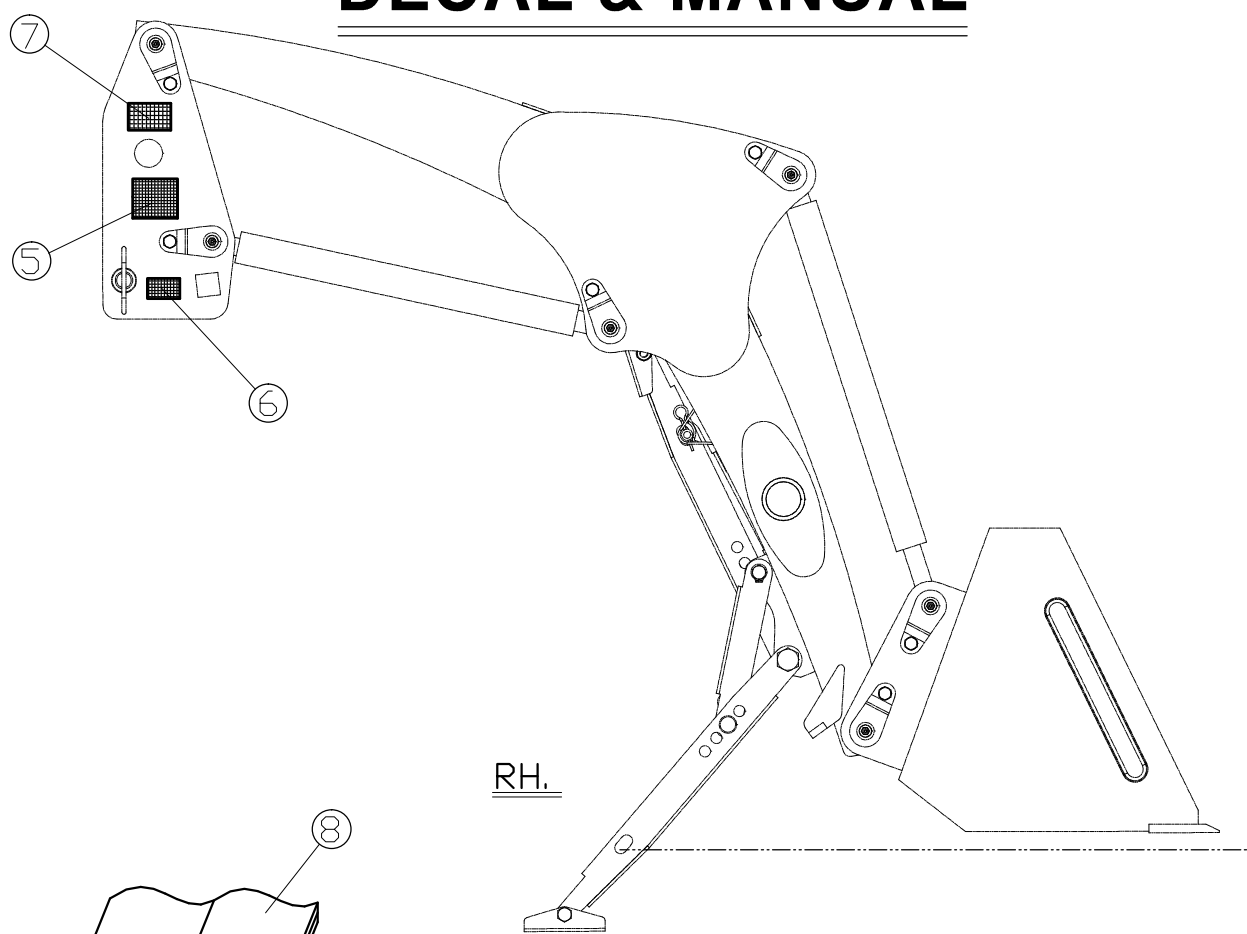
# HYDRAULIC PARTS



# HYDRAULIC PARTS

NO.	PART NAME	PART NUMBER	Q'TY	REMARK
1	PIPE	C1500A-07-1100	1	
2	PIPE	C1500A-07-1200	1	
3	PIPE	C1500A-07-1300	1	
4	PIPE	C1500A-07-1400	1	
5	PIPE	C1500A-07-1500	1	
6	PIPE	C1500A-07-1600	1	
7	PIPE	C1500A-07-1700	1	
8	PIPE	C1500A-07-1800	1	
9	HOSE ASS'Y	1P41-1000	1	
10	HOSE ASS'Y	1P41-0980	1	
11	HOSE ASS'Y	1P41-0990	2	
12	HOSE ASS'Y	1P41-0970	1	
13	HOSE ASS'Y	1P41-0290	1	
14	HOSE ASS'Y	1P41-0110	2	
15	HOSE ASS'Y	5PG1-1010	4	
16	Q-COUPLING	ALK28-07-7700	4	FASTER社 1/4" Female
17	ELBOW NIPPLE	AL20-07-9500	2	
18	NIPPLE	AL20-07-9700	6	
19	TEE NIPPLE	AL20-07-9900	4	
20	COVER	ALN 47-07-3100	1	
21	BOLT	BH0855125X	2	
22	SPRING WASHER	WS08M	2	

# DECAL & MANUAL



## DECAL & MANUAL

NO.	PART NAME	PART NUMBER	Q'TY	REMARK
1	DECAL	03L01	1	
2	DECAL	03L02	1	
3	DECAL	03L03	1	
4	DECAL	03L04	1	
5	DECAL	03L05	1	
6	DECAL	03L06	1	
7	DECAL	03L00	1	
8	OPERATOR'S MANUAL	M03L01	1	
9	PARTS MANUAL	M09008	1	