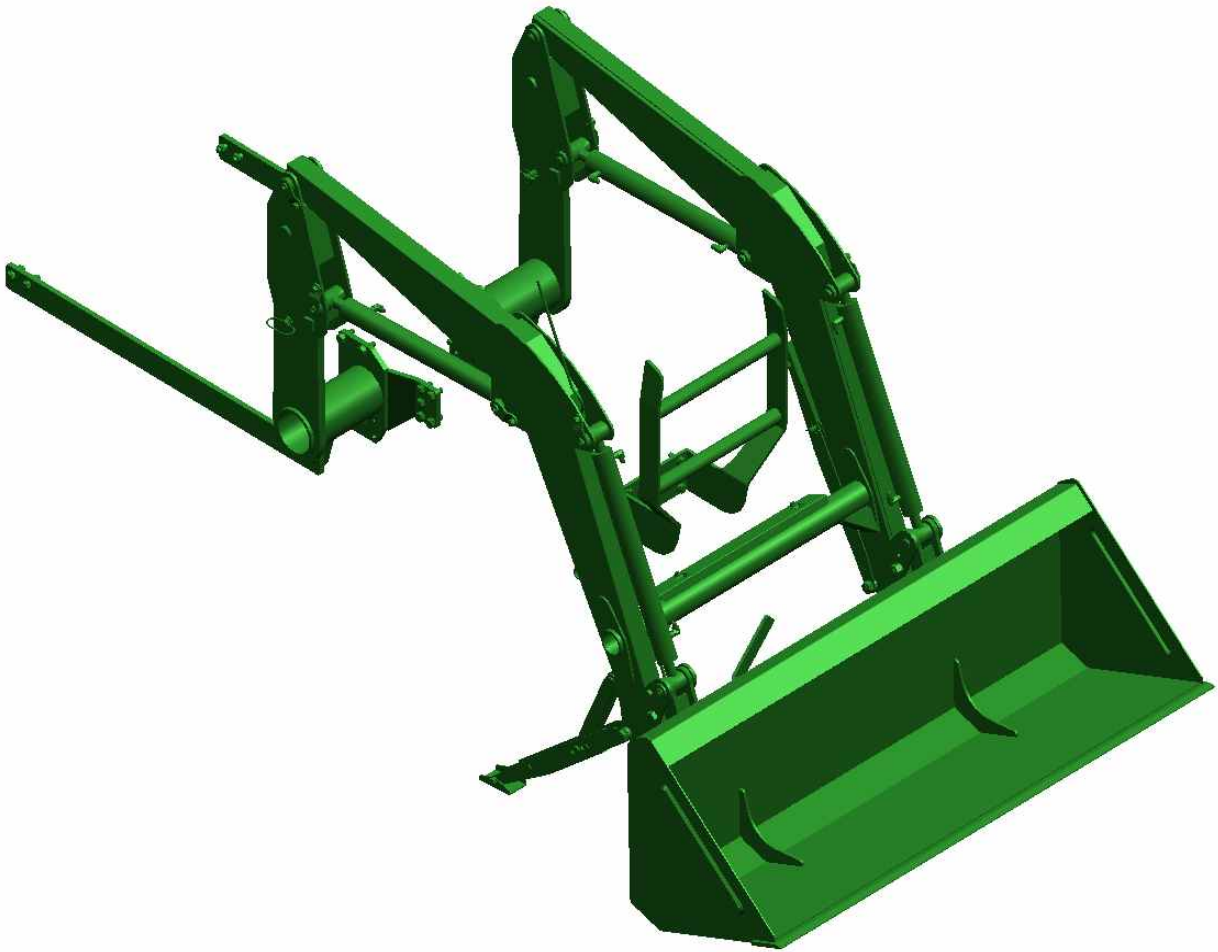


# ***PARTS MANUAL***

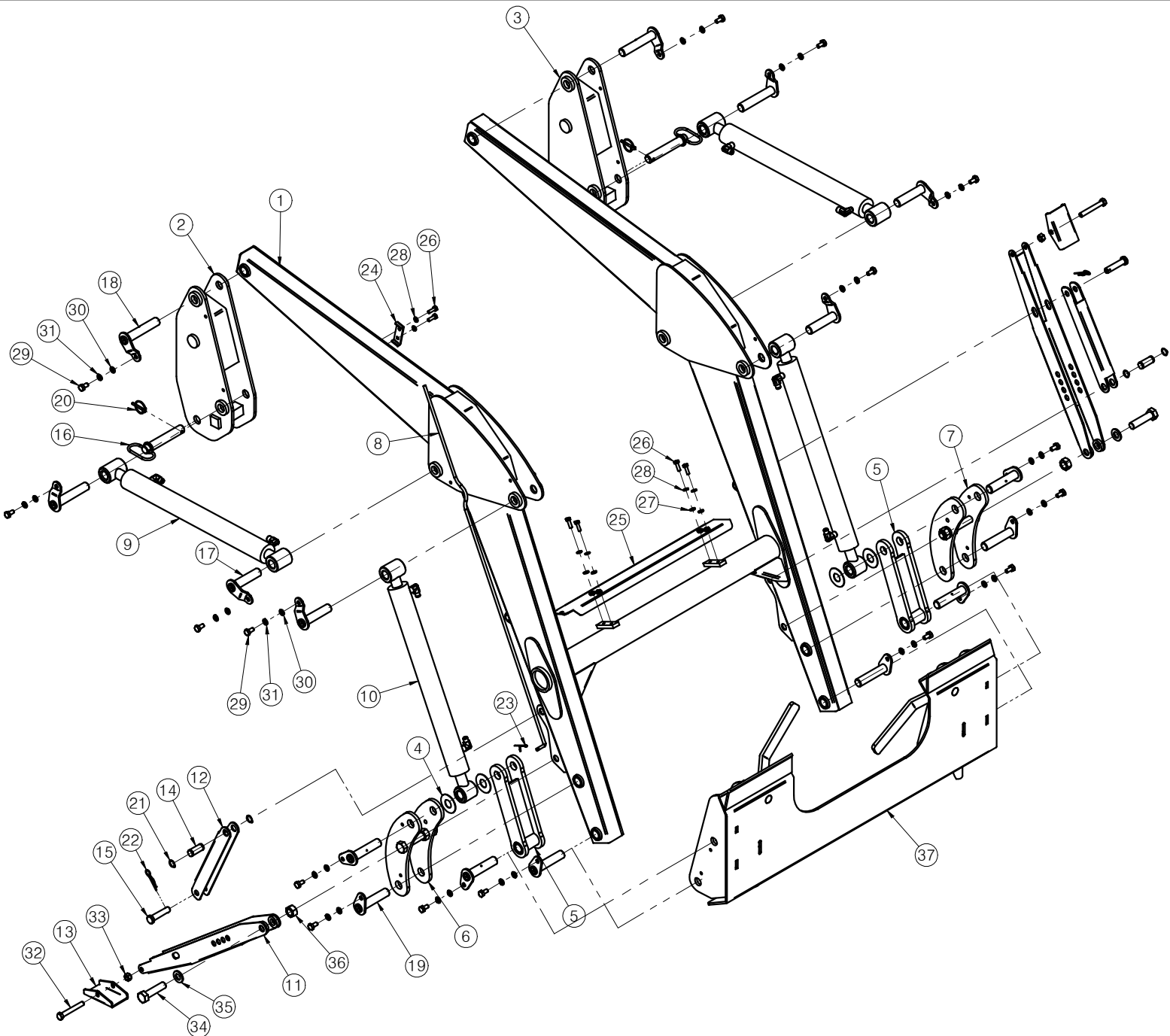
**1950-QB**



Front-End Loader

M07001  
Printed 2007, 07, 11

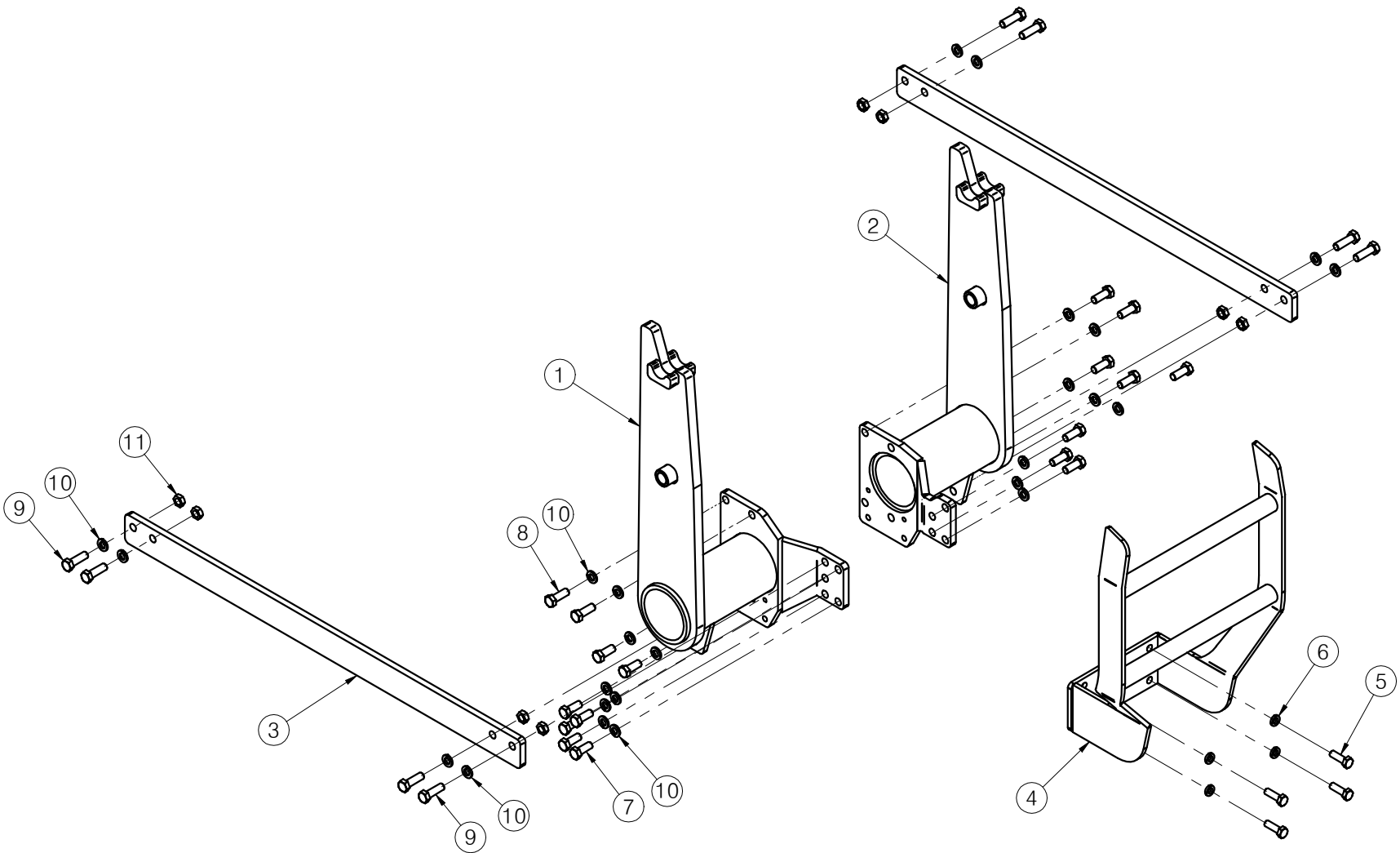
# BOOM



# BOOM

NO.	Part Number	Part Name	Description	Q'ty	REMARK
1	1950B-0000	BOOM		1	
2	1950B-3100	COLUMN-RH		1	
3	1950B-3200	COLUMN-LH		1	
4	1950B-4010	SPACER	1.6t	4	
5	1950B-4100	ROD BUCKET		2	
6	S1950A-4300	LINK BUCKET RH		1	
7	S1950A-4400	LINK BUCKET LH		1	
8	S2540A-4510	INDICATOR	Ø8	1	
9	S1950A-8000	CYLINDER-BOOM		2	
10	1950B-9000	CYLINDER-BUCKET		2	
11	4060A-8100	STAND		2	
12	4060A-8200	BRACKET	4t	2	
13	4060A-8400	BRACKET	4t	2	
14	4060A-8520	PIN	Ø20x48L	2	
15	4060A-8530	PIN	Ø25x80L	2	
16	P25C-1230	PIN-LEVER		2	
17	P25A-105A	PIN		4	
18	P25A-125A	PIN	Ø25	4	
19	P25B-110A	PIN	Ø25	8	
20	AL 20-98-9990	LINK PIN		2	
21	SN20M	SNAP RING	Ø20	4	
22	PR30045	R-PIN	ø3	2	
23	PD03025	SPLIT PIN	ø3x25L	1	
24	ALN 47-07-3100	COVER	4t	1	
25	4060A-7010	COVER	2.3t	1	
26	BH0855125X	BOLT	M8x25L	6	
27	WP08M	PLAIN WASHER	M8	4	
28	WS08M	SPRING WASHER	M8	6	
29	BH1044150Z	BOLT(10.9T)	M10x20L	16	
30	WP10M	PLAIN WASHER	M10	16	
31	WS10M	SPRING WASHER	M10	16	
32	BH12I6175Z	BOLT(10.9T)	M12x90L	2	
33	NL12I75Z	LOCK NUT	M12	2	
34	BH20835250X	BOLT(10.9T)	M20x83L	2	
35	WP20M	PLAIN WASHER	M20	2	
36	NL20250Z	LOCK NUT	M20	2	
37	B0945B-0000	COUPLER B/C		1	

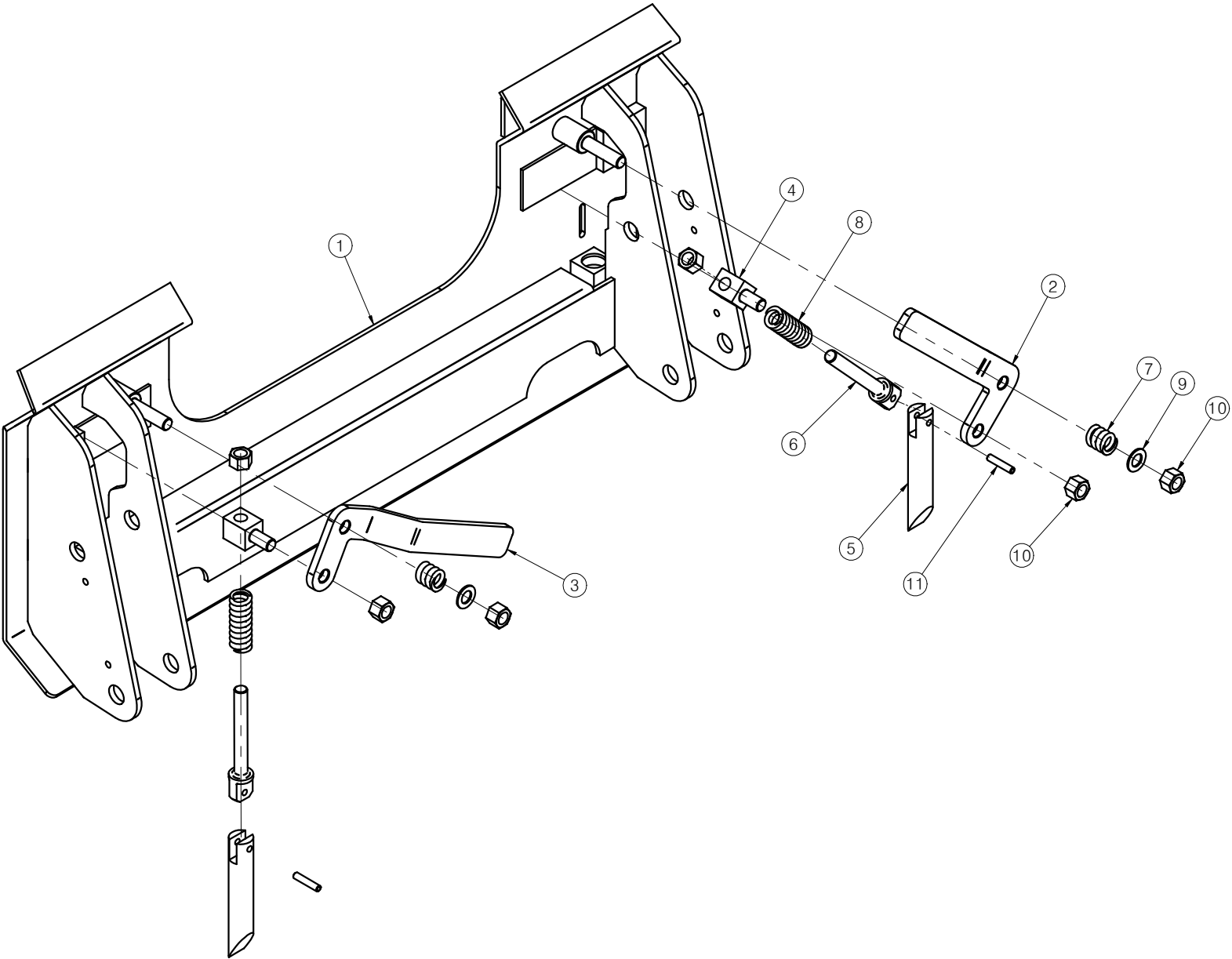
# MOUNTING KIT



# MOUNTING KIT

NO.	Part Number	Part Name	Description	Q'ty	REMARK
1	L3240A-1100	SUB FRAME RH		1	
2	L3240A-1200	SUB FRAME LH		1	
3	L3240A-3100	BACK AXLE	16t	2	
4	L3240A-4100	BUMPER		1	
5	BH1497150Z	BOLT(10.9T)	M14x45Lx1.5P	4	
6	WS14M	SPRING WASHER	M14	4	
7	BH1688150Z	BOLT(10.9T)	M16x40Lx1.5P	15	
8	BH1699150Z	BOLT(10.9T)	M16x45Lx1.5P	2	
9	BH16A6200Z	BOLT(10.9T)	M16x50L	8	
10	WS16M	SPRING WASHER	M16	25	
11	NH16200Z	NUT	M16	8	

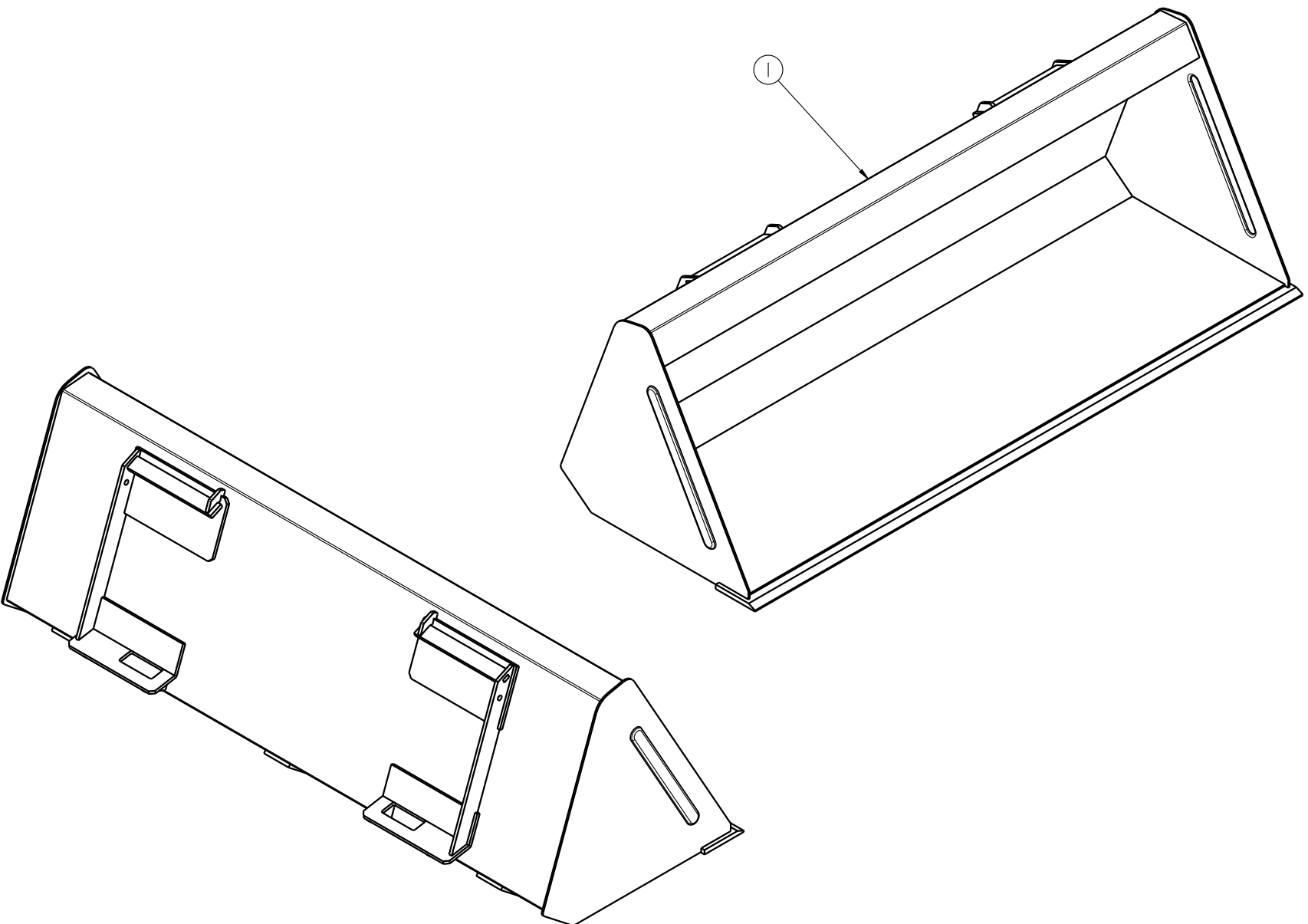
# COUPLER



# COUPLER

NO.	Part Number	Part Name	Description	Q'ty	REMARK
1	B0945B-2000	COUPLER B/C		1	
2	B0945A-1110	LEVER RH.	10t	1	
3	B0945A-1120	LEVER LH.	10t	1	
4	B0945A-1210	PIN	30x30	2	
5	B0945A-1220	PIN	Ø30	2	
6	B0945A-1230	PIN	Ø30	2	
7	B0945A-1310	SPRING	Ø5	2	
8	B0945A-1320	SPRING	Ø4.5	2	
9	WP16M	PLAIN WASHER	M16	2	
10	NL16200Z	LOCK NUT	M16	6	
11	PS08040	SPRING PIN	Ø8x40L	2	

# BUCKET ASSEMBLY



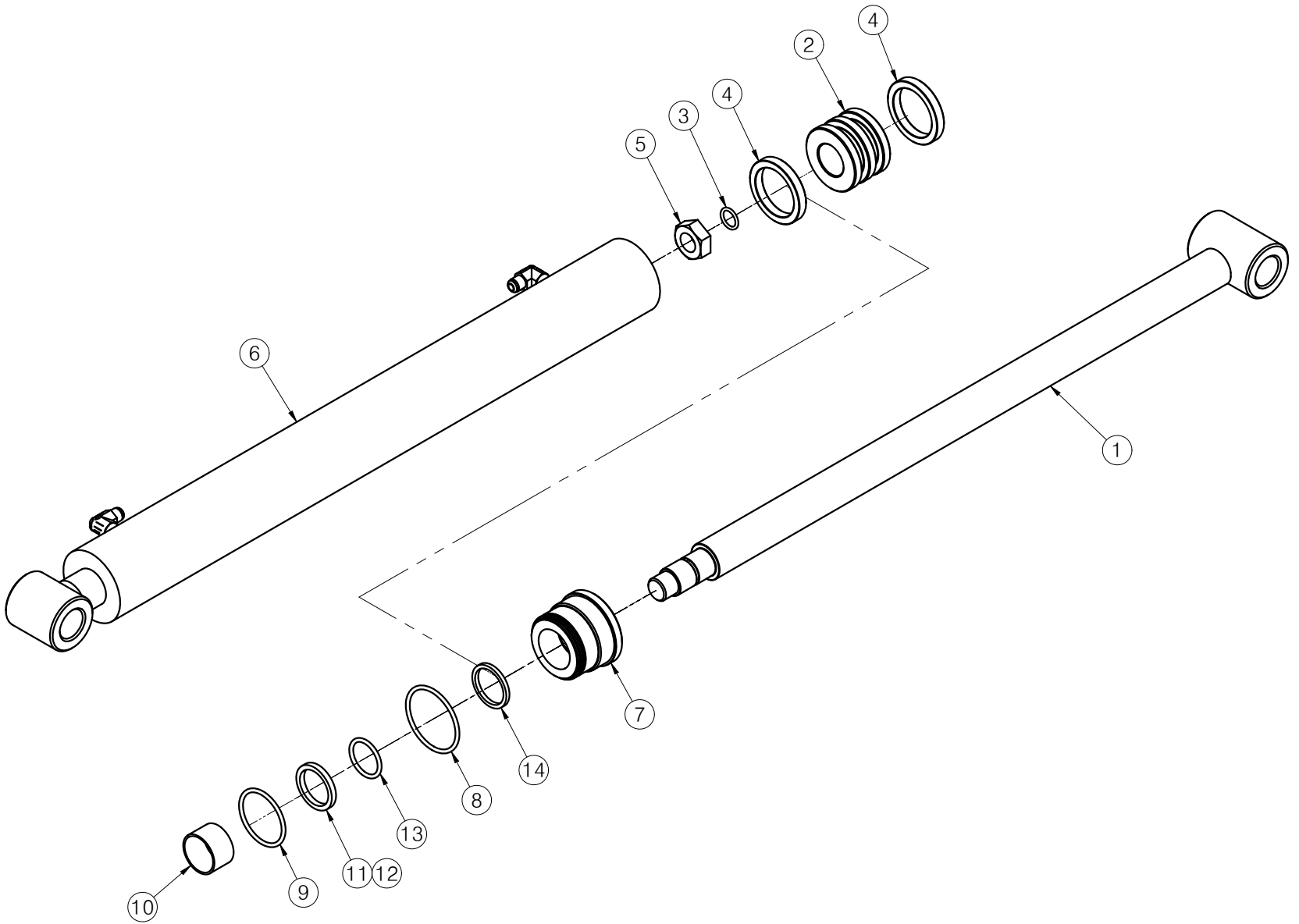
B138F

BK005.00-100



# BUCKET

NO.	PART NAME	PART NUMBER	Q'TY	REMARK
1	BUCKET	BT38F	1	L=1670

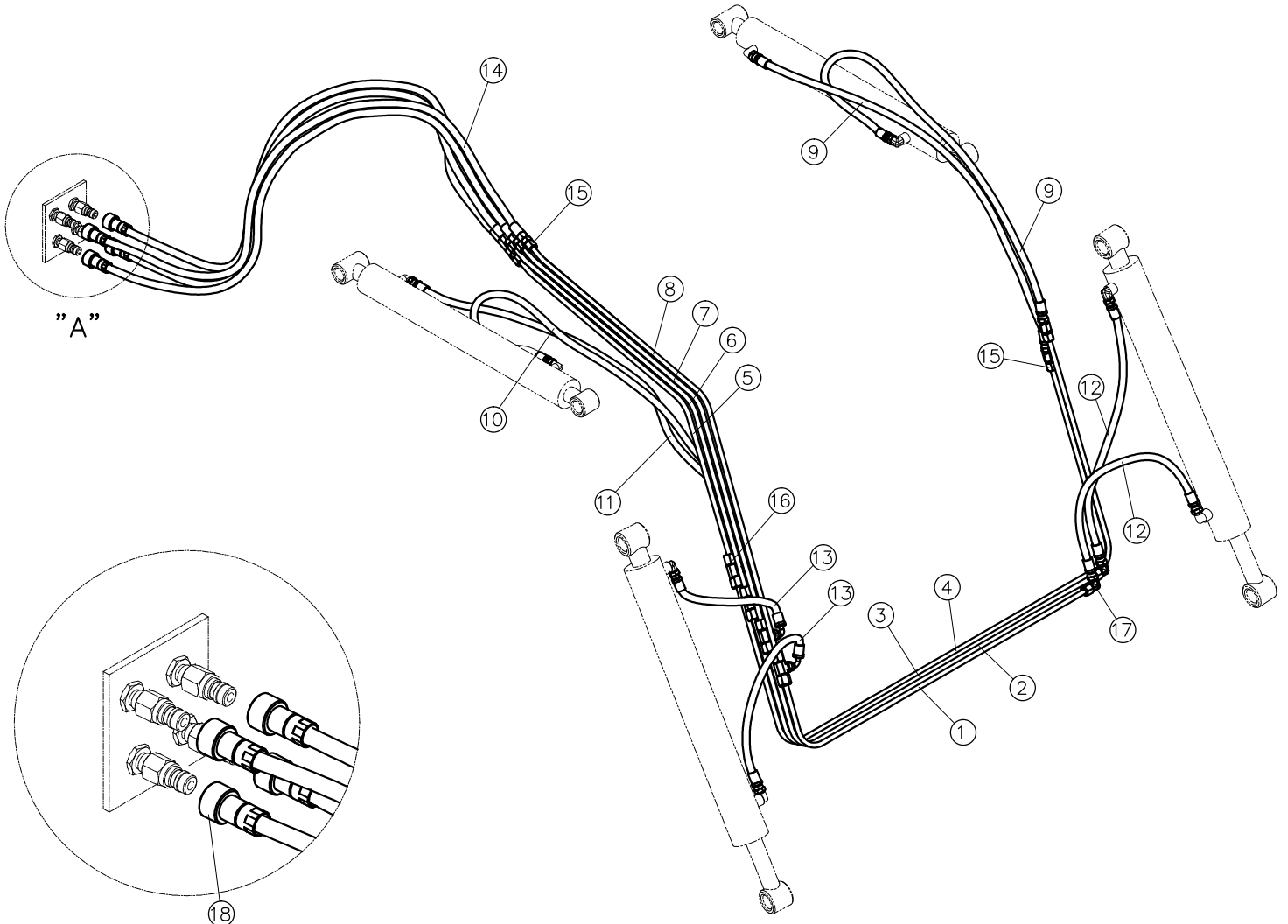


# CYLINDER

# CYLINDER

NO.	PART NAME	PART NUMBER		Q'TY	REMARK
		BUCKET	BOOM		
1	ROD	1950B-05-1110	S1950A-05-2110	1	
2	PISTON	AL191-05-1120	AL191-05-1120	1	
3	O-RING	1BP18	1BP18	1	
4	U-PACKING	ODI 50x30x9	ODI 50x30x9	2	
5	NUT	AL191-05-1150	AL191-05-1150	1	
6	TUBE	1950B-05-1210	S1950A-05-2210	1	
7	COVER ROD	AL191-05-1220	AL191-05-1220	1	
8	O-RING	1BG50	1BG50	1	
9	O-RING	1BP30	1BP30	1	
10	DU BUSH	AL191-05-1250	AL191-05-1250	1	
11	U-PACKING	ISI 30x40x6	ISI 30x40x6	1	
12	BACK UP RING	BRT3 30x40x2	BRT3 30x40x2	1	
13	O-RING	1BP44	1BP44	1	
14	DUST SEAL	LBI 30x38x5/6.5	LBI 30x38x5/6.5	1	
	SEAL KIT (Include 3, 4, 8, 9, 11, 12, 13, 14)	SEAL 5030	SEAL 5030		

# HYDRAULIC PARTS



HP038.00

HP038.00



# DECAL & MANUAL

