

PARTS MANUAL

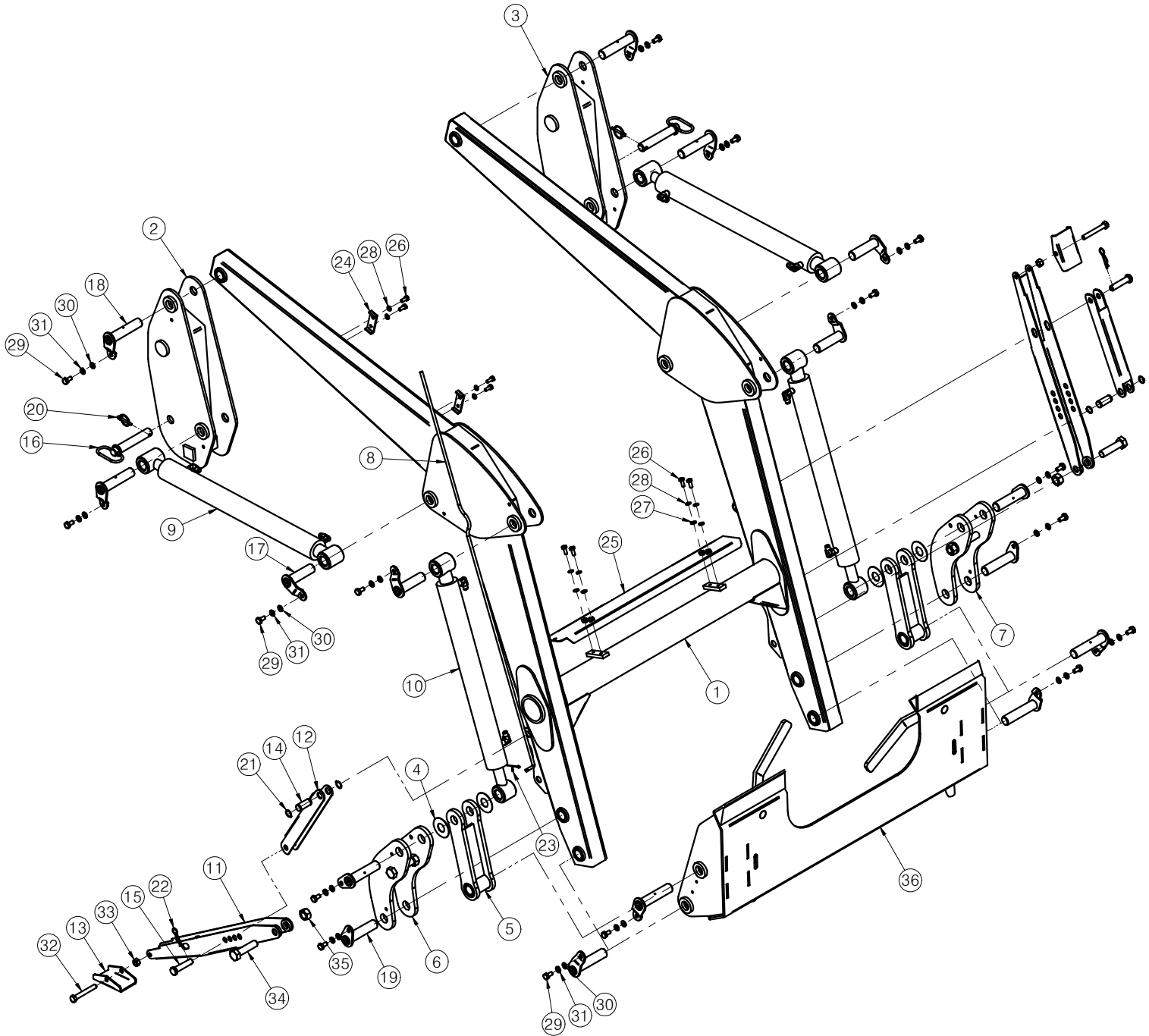
2050-QB



Front-End Loader

M07007
Printed 2007, 09, 05

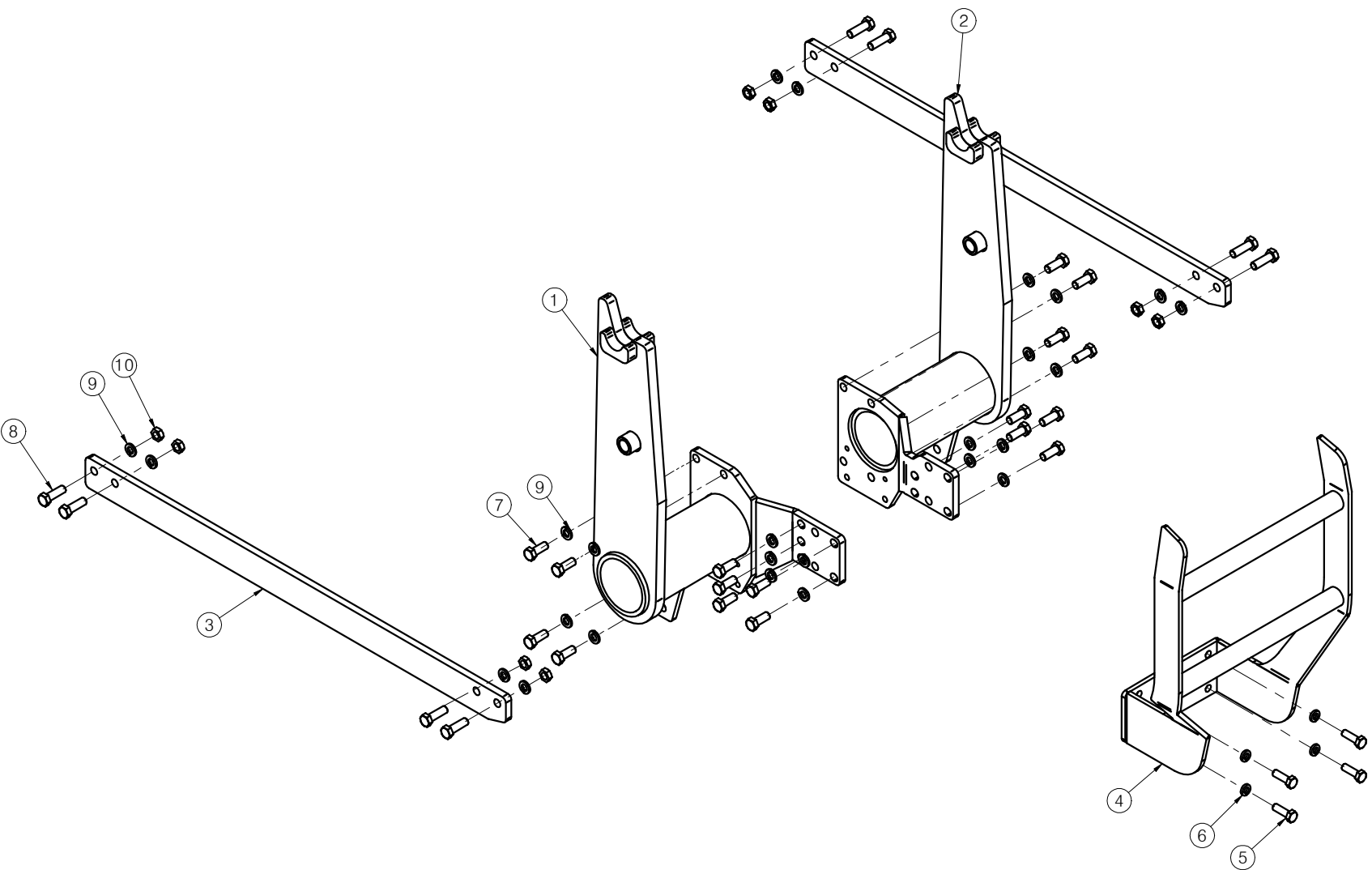
BOOM



BOOM

| NO. | Part Number | Part Name | Description | Q'ty | REMARK |
|-----|----------------|-----------------|-------------|------|--------|
| 1 | 2050A-0000 | BOOM | | 1 | |
| 2 | 2050A-3100 | COLUMN RH. | | 1 | |
| 3 | 2050A-3200 | COLUMN LH. | | 1 | |
| 4 | 2050A-4010 | SHIM | 1.6t | 4 | |
| 5 | 2050A-4100 | ROD BUCKET | | 2 | |
| 6 | 2050A-4300 | BUCKET LINK RH. | | 1 | |
| 7 | 2050A-4400 | BUCKET LINK LH. | | 1 | |
| 8 | 2050A-4510 | INDICATOR | Ø8 | 1 | |
| 9 | 2050A-8000 | CYLINDER-BOOM | | 2 | |
| 10 | 2050A-9000 | CYLINDER-BUCKET | | 2 | |
| 11 | 4060A-8100 | STAND | | 2 | |
| 12 | 4060A-8200 | BRACKET | 4t | 2 | |
| 13 | 4060A-8400 | BRACKET | 4t | 2 | |
| 14 | 4060A-8520 | PIN | Ø20x48L | 2 | |
| 15 | 4060A-8530 | PIN | Ø25x80L | 2 | |
| 16 | P25C-1230 | PIN-LEVER | | 2 | |
| 17 | P28A-100A | PIN | Ø28 | 4 | |
| 18 | P28A-125A | PIN | | 8 | |
| 19 | P28B-115A | PIN | | 4 | |
| 20 | AL 20-98-9990 | LINK PIN | | 2 | |
| 21 | SN20M | SNAP RING | Ø20 | 4 | |
| 22 | PR30045 | R-PIN | ø3 | 2 | |
| 23 | PD03025 | SPLIT PIN | ø3x25L | 1 | |
| 24 | ALN 47-07-3100 | COVER | 4t | 2 | |
| 25 | 5570C-7010 | COVER | 2.3t | 1 | |
| 26 | BH0844125Z | BOLT(10.9) | M8x20L | 8 | |
| 27 | WP08M | PLAIN WASHER | M8 | 4 | |
| 28 | WS08M | SPRING WASHER | M8 | 8 | |
| 29 | BH1044150Z | BOLT(10.9T) | M10x20L | 16 | |
| 30 | WP10M | PLAIN WASHER | M10 | 16 | |
| 31 | WS10M | SPRING WASHER | M10 | 16 | |
| 32 | BH12I6175Z | BOLT(10.9T) | M12x90L | 2 | |
| 33 | NL12175Z | LOCK NUT | M12 | 2 | |
| 34 | BH20GA250Z | BOLT(10.9T) | M20x80L | 2 | |
| 35 | NL20250Z | LOCK NUT | M20 | 2 | |
| 36 | B1000D-0000 | COUPLER B/C | | 1 | |

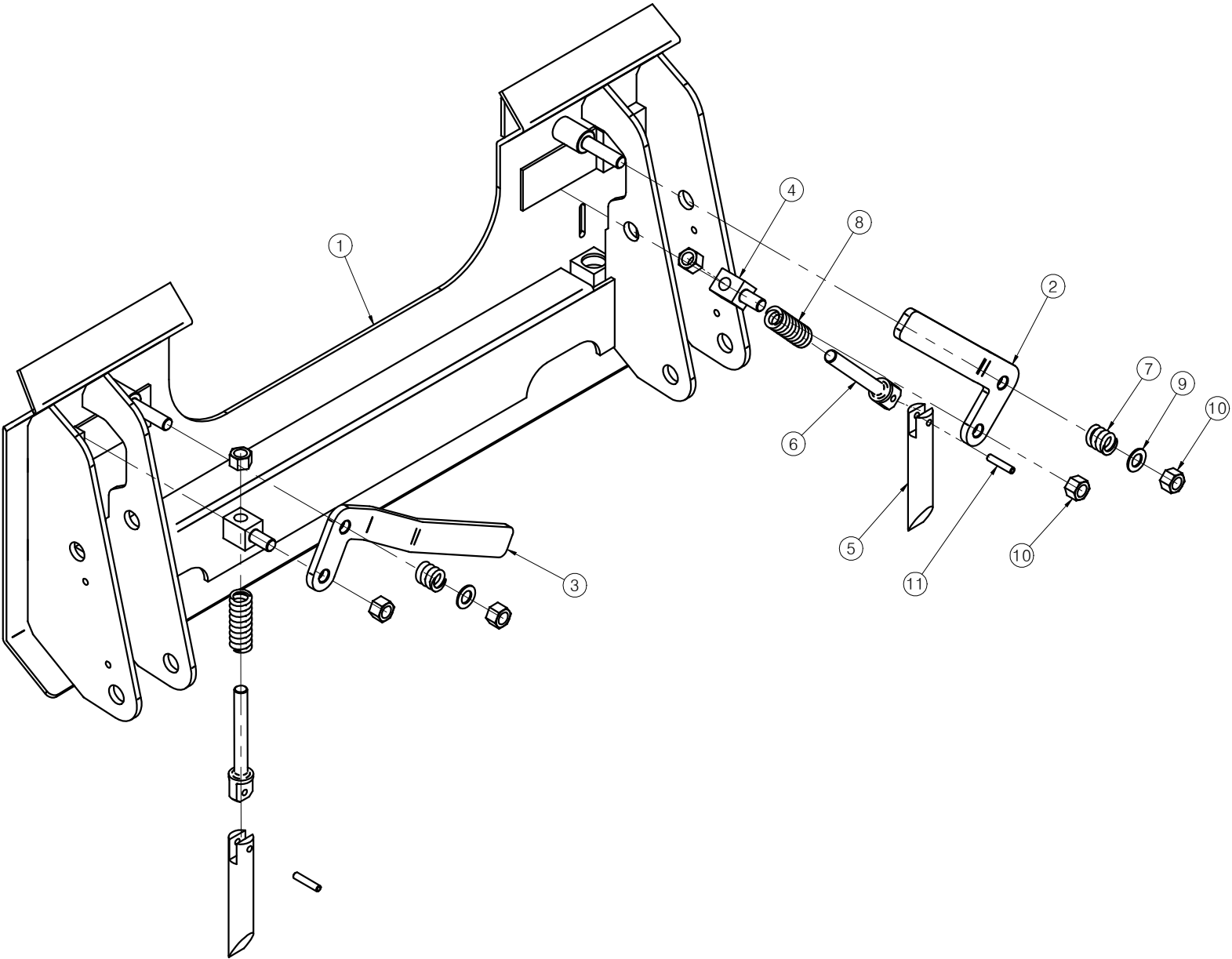
MOUNTING KIT



MOUNTING KIT

| NO. | Part Number | Part Name | Description | Q'ty | REMARK |
|-----|-------------|---------------|--------------|------|--------|
| 1 | L3940A-1100 | SUB FRAME RH. | | 1 | |
| 2 | L3940A-1200 | SUB FRAME LH. | | 1 | |
| 3 | L3940A-3100 | BACK AXLE | 16t | 2 | |
| 4 | L3240A-4100 | BUMPER | | 1 | |
| 5 | BH1497150Z | BOLT(10.9T) | M14x45Lx1.5P | 4 | |
| 6 | WS14M | SPRING WASHER | M14 | 4 | |
| 7 | BH1688150Z | BOLT(10.9T) | M16x40Lx1.5P | 17 | |
| 8 | BH16A6200Z | BOLT(10.9T) | M16x50L | 8 | |
| 9 | WS16M | SPRING WASHER | M16 | 25 | |
| 10 | NH16200Z | NUT | M16 | 8 | |

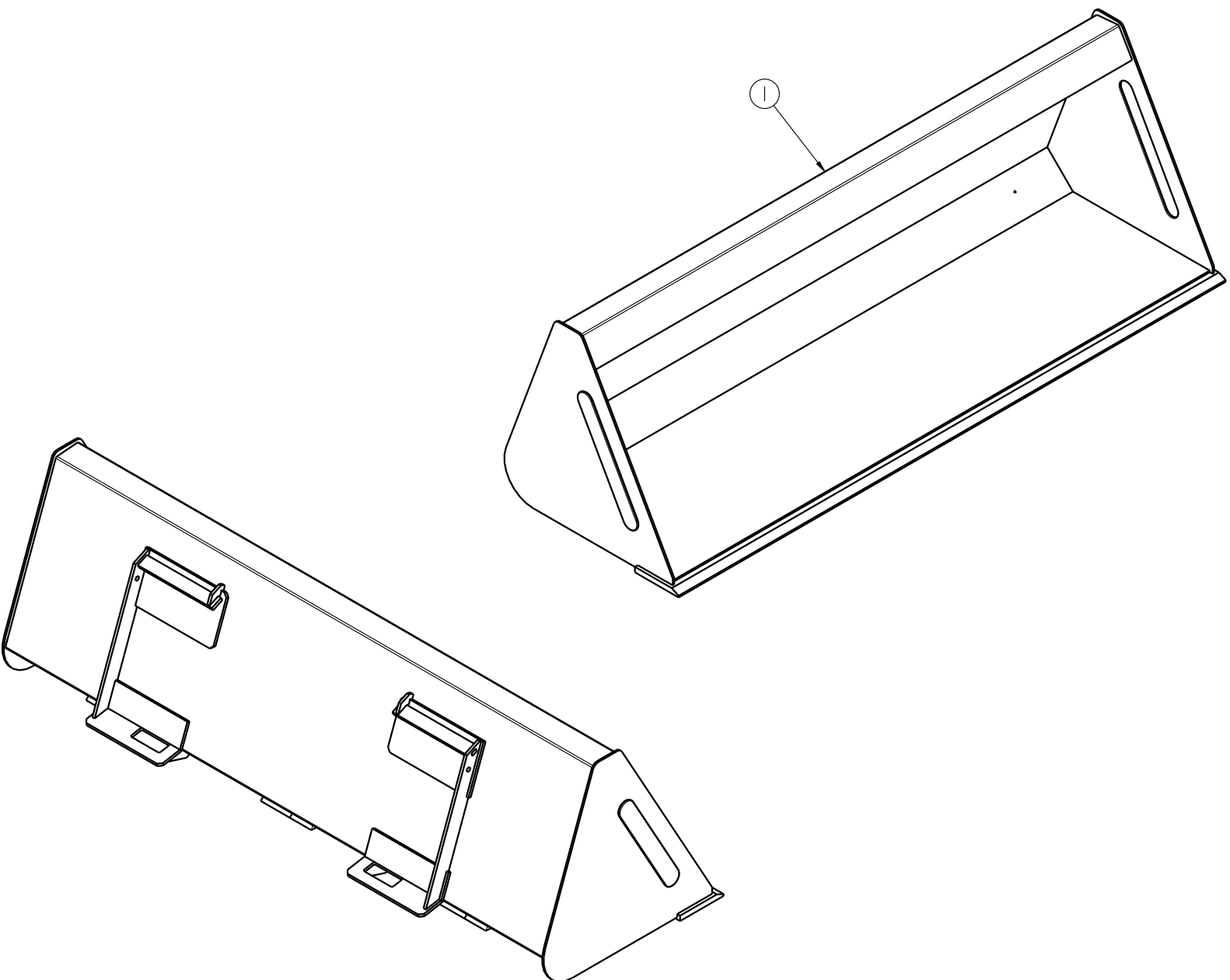
COUPLER



COUPLER

| NO. | Part Number | Part Name | Description | Q'ty | REMARK |
|-----|-------------|--------------|-------------|------|--------|
| 1 | B1000D-2000 | COUPLER B/C | | 1 | |
| 2 | B0945A-1110 | LEVER RH. | 10t | 1 | |
| 3 | B0945A-1120 | LEVER LH. | 10t | 1 | |
| 4 | B0945A-1210 | PIN | 30x30 | 2 | |
| 5 | B0945A-1220 | PIN | Ø30 | 2 | |
| 6 | B0945A-1230 | PIN | Ø30 | 2 | |
| 7 | B0945A-1310 | SPRING | Ø5 | 2 | |
| 8 | B0945A-1320 | SPRING | Ø4.5 | 2 | |
| 9 | WP16M | PLAIN WASHER | M16 | 2 | |
| 10 | NL16200Z | LOCK NUT | M16 | 6 | |
| 11 | PS08040 | SPRING PIN | Ø8x40L | 2 | |

BUCKET ASSEMBLY



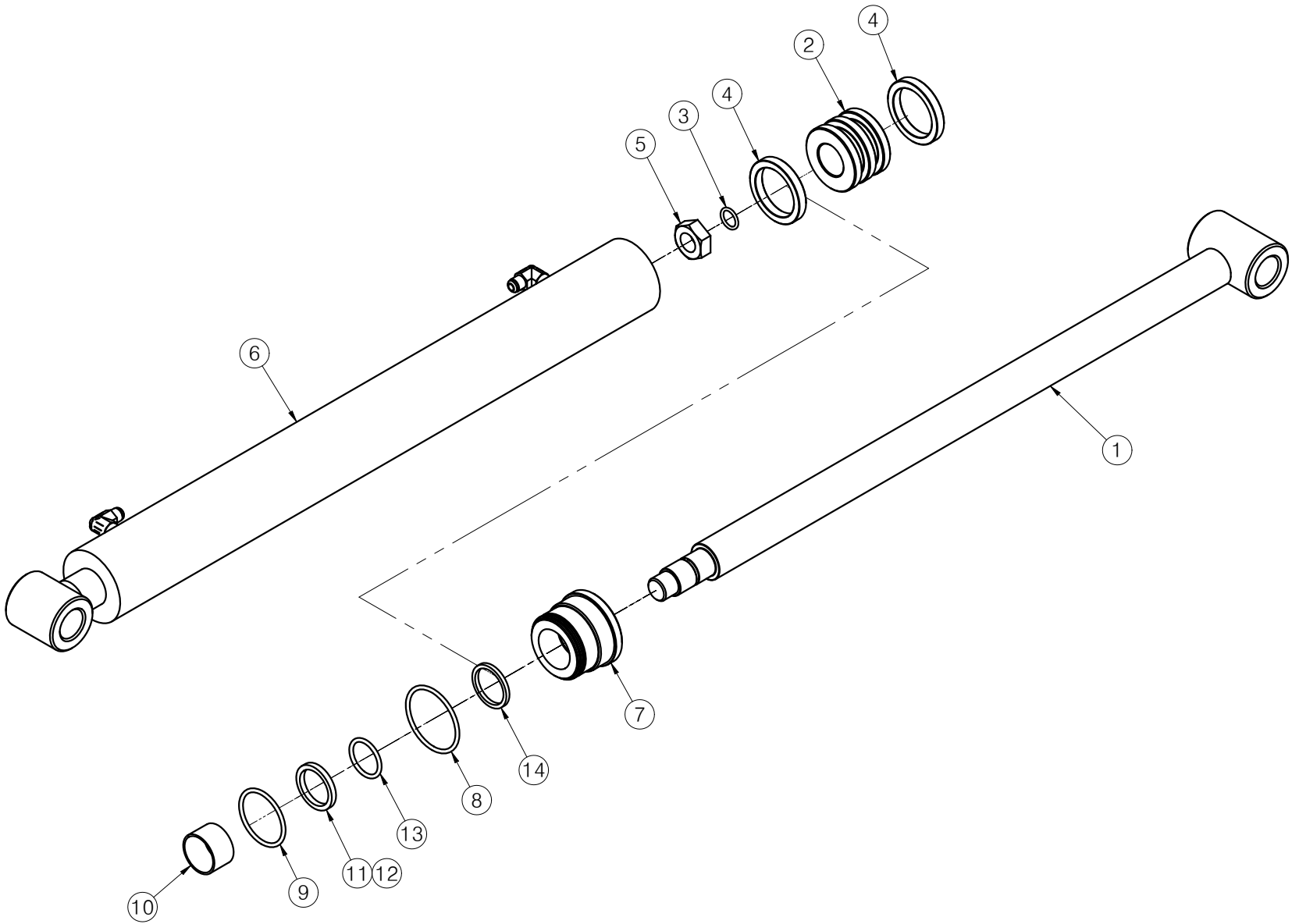
LP58-02-0000

BK005.00-D01

BUCKET ASSEMBLY

(P/N: LP58-02-0000)

| NO. | PART NUMBER | PART NAME | DESCRIPTION | Q'TY | REMARK |
|-----|--------------|-------------|-------------|------|--------|
| 1 | LP58-02-0000 | BUCKET ASSY | L=1880 | 1 | |

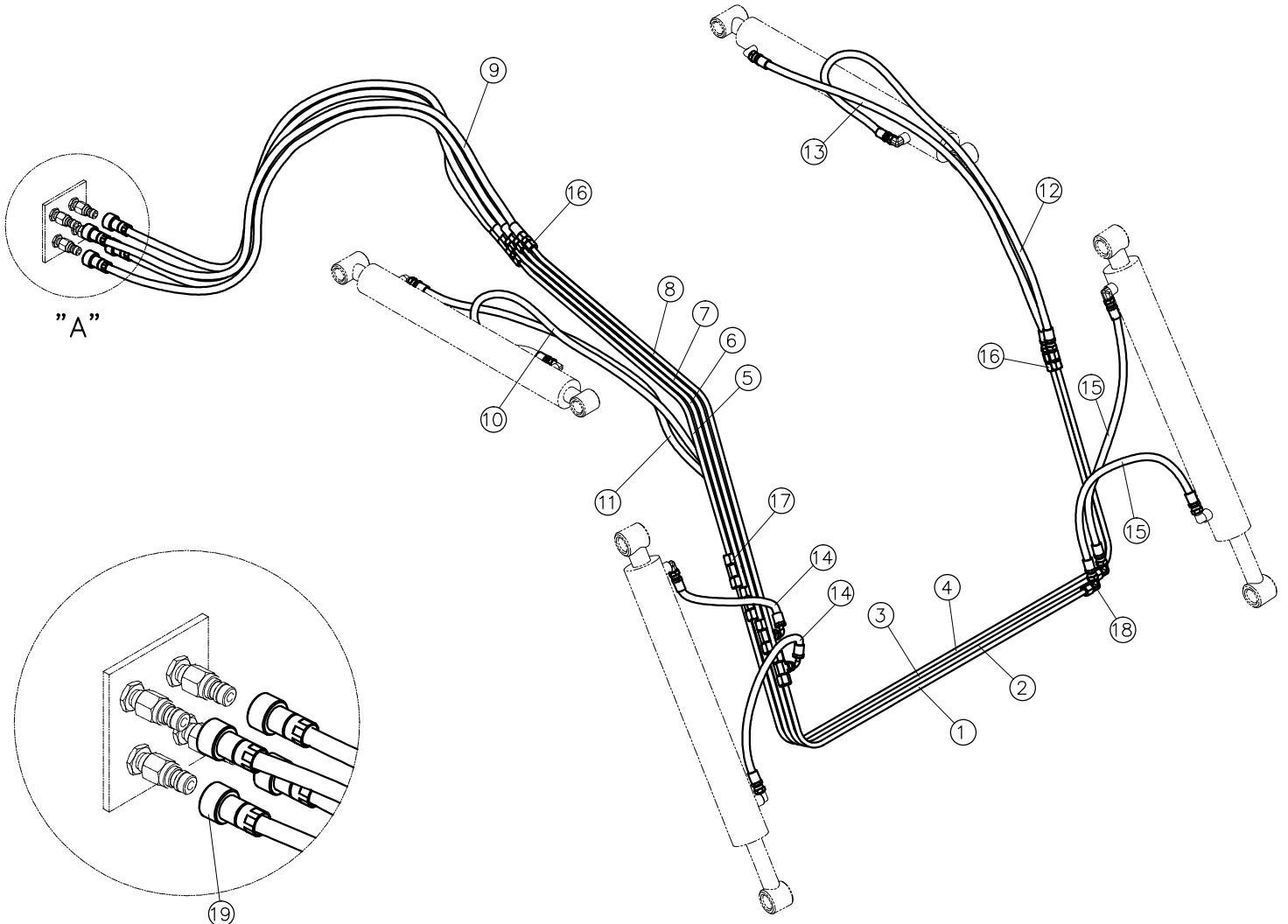


CYLINDER

CYLINDER

| NO. | PART NAME | PART NUMBER | | Q'TY | REMARK |
|-----|---|-----------------|-----------------|------|--------|
| | | BUCKET | BOOM | | |
| 1 | ROD | 2050A-05-1020 | 2050A-05-2110 | 1 | |
| 2 | PISTON | AKU30-05-1120 | AKU30-05-1120 | 1 | |
| 3 | O-RING | 1BP18 | 1BP18 | 1 | |
| 4 | U-PACKING | ODI 55x40x10 | ODI 55x40x10 | 2 | |
| 5 | NUT | AKU30-05-1150 | AKU30-05-1150 | 1 | |
| 6 | TUBE | 2050A-05-1210 | 2050A-05-2210 | 1 | |
| 7 | COVER ROD | AKU30-05-2220 | AKU30-05-2220 | 1 | |
| 8 | O-RING | 1BG55 | 1BG55 | 1 | |
| 9 | O-RING | 1BP30 | 1BP30 | 1 | |
| 10 | DU BUSH | AKU30-05-1250 | AKU30-05-1250 | 1 | |
| 11 | U-PACKING | ISI 30x40x6 | ISI 30x40x6 | 1 | |
| 12 | BACK UP RING | BRT3 30x40x2 | BRT3 30x40x2 | 1 | |
| 13 | O-RING | 1BP50 | 1BP50 | 1 | |
| 14 | DUST SEAL | LBI 30x38x5/6.5 | LBI 30x38x5/6.5 | 1 | |
| | SEAL KIT (Include 3, 4, 8, 9, 11, 12, 13, 14) | SEAL 5530 | SEAL 5530 | | |

HYDRAULIC PARTS



DECAL & MANUAL

