

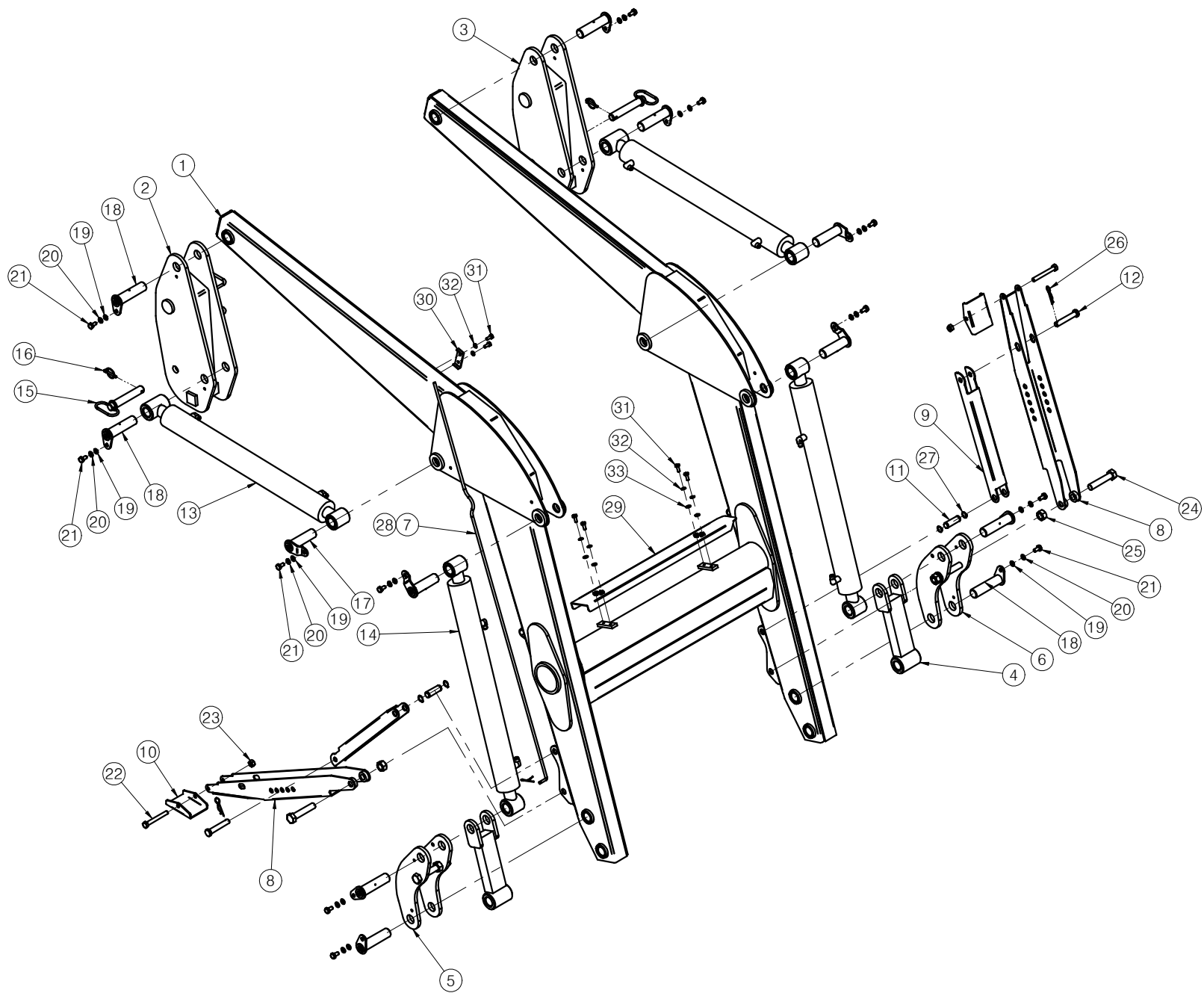
# ***PARTS MANUAL***

**8595**



## **Front-End Loader**

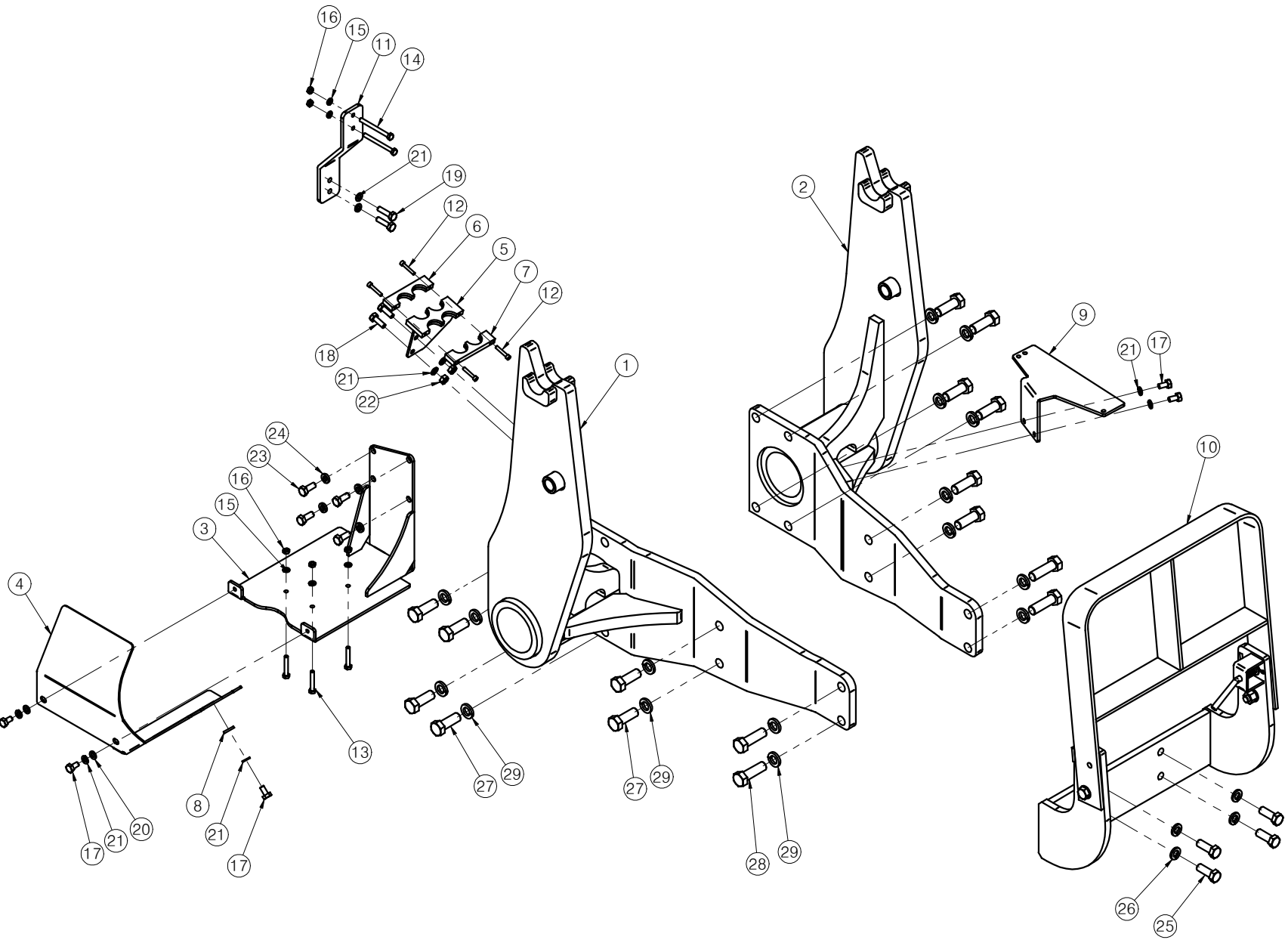
M04059  
Printed 2006, 11,04



# BOOM

# BOOM

| NO. | Part Number    | Part Name        | Description | Q'ty | REMARK |
|-----|----------------|------------------|-------------|------|--------|
| 1   | 7590B-0000     | BOOM             |             | 1    |        |
| 2   | 7590B-3100     | COLUMN, RH.      |             | 1    |        |
| 3   | 7590A-3200     | COLUMN, LH.      |             | 1    |        |
| 4   | S7085A-4100    | ROD-BUCKET       |             | 2    |        |
| 5   | S7085A-4300    | LINK BUCKET, RH. |             | 1    |        |
| 6   | S7085A-4400    | LINK BUCKET, LH. |             | 1    |        |
| 7   | S5570A-4510    | INDICATOR        | Ø8          | 1    |        |
| 8   | S7085A-8100    | STAND            |             | 2    |        |
| 9   | S7085A-8200    | LINK-STD         | 4t          | 2    |        |
| 10  | S7085A-8400    | SUPPORTER        | 4t          | 2    |        |
| 11  | S7085A-8520    | PIN              | Ø20         | 2    |        |
| 12  | S7085A-8530    | PIN              | Ø25         | 2    |        |
| 13  | 7085A-09-800A  | CYLINDER-BOOM    |             | 2    |        |
| 14  | 7590A-09-900A  | CYLINDER-BUCKET  |             | 2    |        |
| 15  | P25C-1230      | PIN-LEVER        |             | 2    |        |
| 16  | AL 20-98-9990  | LINK PIN         |             | 2    |        |
| 17  | P32A-110A      | PIN              | Ø32         | 4    |        |
| 18  | P32B-125A      | PIN              | Ø32         | 8    |        |
| 19  | WP10M          | PLAIN WASHER     | M10         | 12   |        |
| 20  | WS10M          | SPRING WASHER    | M10         | 12   |        |
| 21  | BH1044150Z     | BOLT(10.9T)      | M10x20L     | 12   |        |
| 22  | BH12K7175Z     | BOLT(10.9T)      | M12x100L    | 2    |        |
| 23  | NL12175Z       | LOCK NUT         | M12         | 2    |        |
| 24  | BH20KA250Z     | BOLT(10.9T)      | M20x100L    | 2    |        |
| 25  | NL20250Z       | LOCK NUT         | M20         | 2    |        |
| 26  | PR30045        | R-PIN            | ø3          | 2    |        |
| 27  | SN20M          | SNAP RING        | Ø20         | 4    |        |
| 28  | PD03025        | SPLIT PIN        | ø3x25L      | 1    |        |
| 29  | 7590A-7010     | COVER            | 2.3t        | 1    |        |
| 30  | ALN 47-07-3100 | COVER            | 4t          | 1    |        |
| 31  | BH0844125Z     | BOLT(10.9)       | M8x20L      | 6    |        |
| 32  | WS08M          | SPRING WASHER    | M8          | 6    |        |
| 33  | WP08M          | PLAIN WASHER     | M8          | 4    |        |

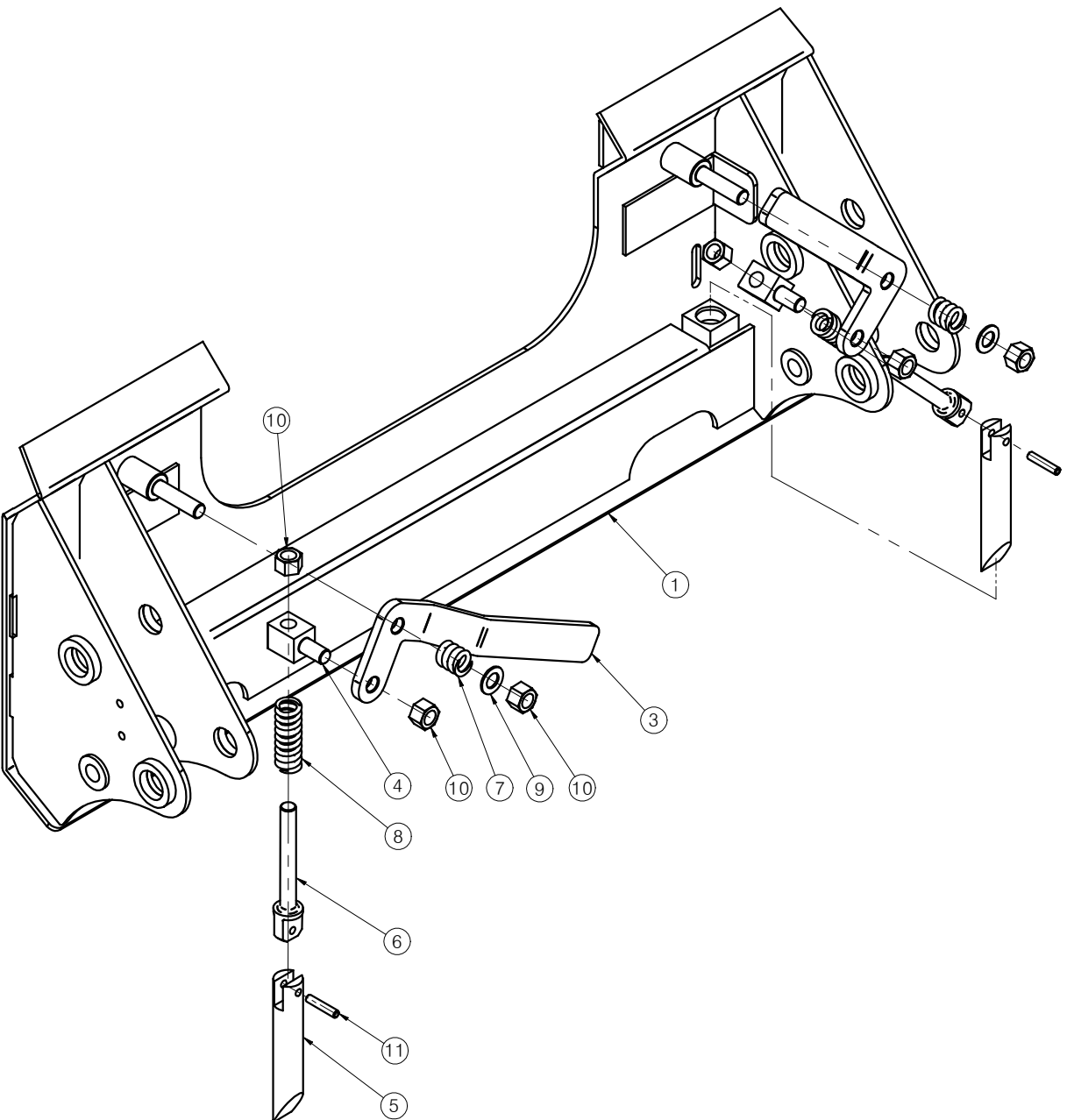


# MOUNTING KIT

# MOUNTING KIT

| NO. | Part Number | Part Name      | Description   | Q'ty | REMARK |
|-----|-------------|----------------|---------------|------|--------|
| 1   | M9540A-1100 | SUB FRAME, RH. |               | 1    |        |
| 2   | M9540A-1200 | SUB FRAME, LH. |               | 1    |        |
| 3   | M9540A-1900 | VALVE BRACKET  |               | 1    |        |
| 4   | M9540A-1920 | BRACKET        | 4t            | 1    |        |
| 5   | M9540A-1800 | BLOCK          |               | 1    |        |
| 6   | M9540A-1850 | BLOCK          | 12t           | 1    |        |
| 7   | M9540A-1860 | BLOCK          | 12t           | 1    |        |
| 8   | M7040A-1950 | WASHER         | 4t            | 1    |        |
| 9   | M7040A-2000 | BRACKET        | 6t            | 1    |        |
| 10  | M7040A-4000 | BUMPER         |               | 1    |        |
| 11  | M7040A-8100 | J/S BRACKET    |               | 1    |        |
| 12  | BW0677100Z  | BOLT           | M6x35L        | 4    |        |
| 13  | BH08AA125Z  | BOLT(10.9T)    | M8x50L        | 3    |        |
| 14  | BH08I5125Z  | BOLT(10.9T)    | M8x90L        | 2    |        |
| 15  | WS08M       | SPRING WASHER  | M8            | 5    |        |
| 16  | NH08125Z    | NUT            | M8            | 5    |        |
| 17  | BH1044150Z  | BOLT(10.9T)    | M10x20L       | 5    |        |
| 18  | BH1066150Z  | BOLT(10.9T)    | M10x30L       | 2    |        |
| 19  | BH1086125Z  | BOLT(10.9T)    | M10x40Lx1.25P | 2    |        |
| 20  | WP10M       | PLAIN WASHER   | M10           | 2    |        |
| 21  | WS10M       | SPRING WASHER  | M10           | 9    |        |
| 22  | NH10150Z    | NUT            | M10           | 2    |        |
| 23  | BH1266125Z  | BOLT(10.9T)    | M12x30Lx1.25P | 4    |        |
| 24  | WS12M       | SPRING WASHER  | M12           | 4    |        |
| 25  | BH1699150Z  | BOLT(10.9T)    | M16x45Lx1.5P  | 4    |        |
| 26  | WS16M       | SPRING WASHER  | M16           | 4    |        |
| 27  | BH20B9150Z  | BOLT(10.9T)    | M20x55Lx1.5P  | 12   |        |
| 28  | BH20DA150Z  | BOLT(10.9T)    | M20x65Lx1.5P  | 4    |        |
| 29  | WS20M       | SPRING WASHER  | M20           | 16   |        |

# COUPLER



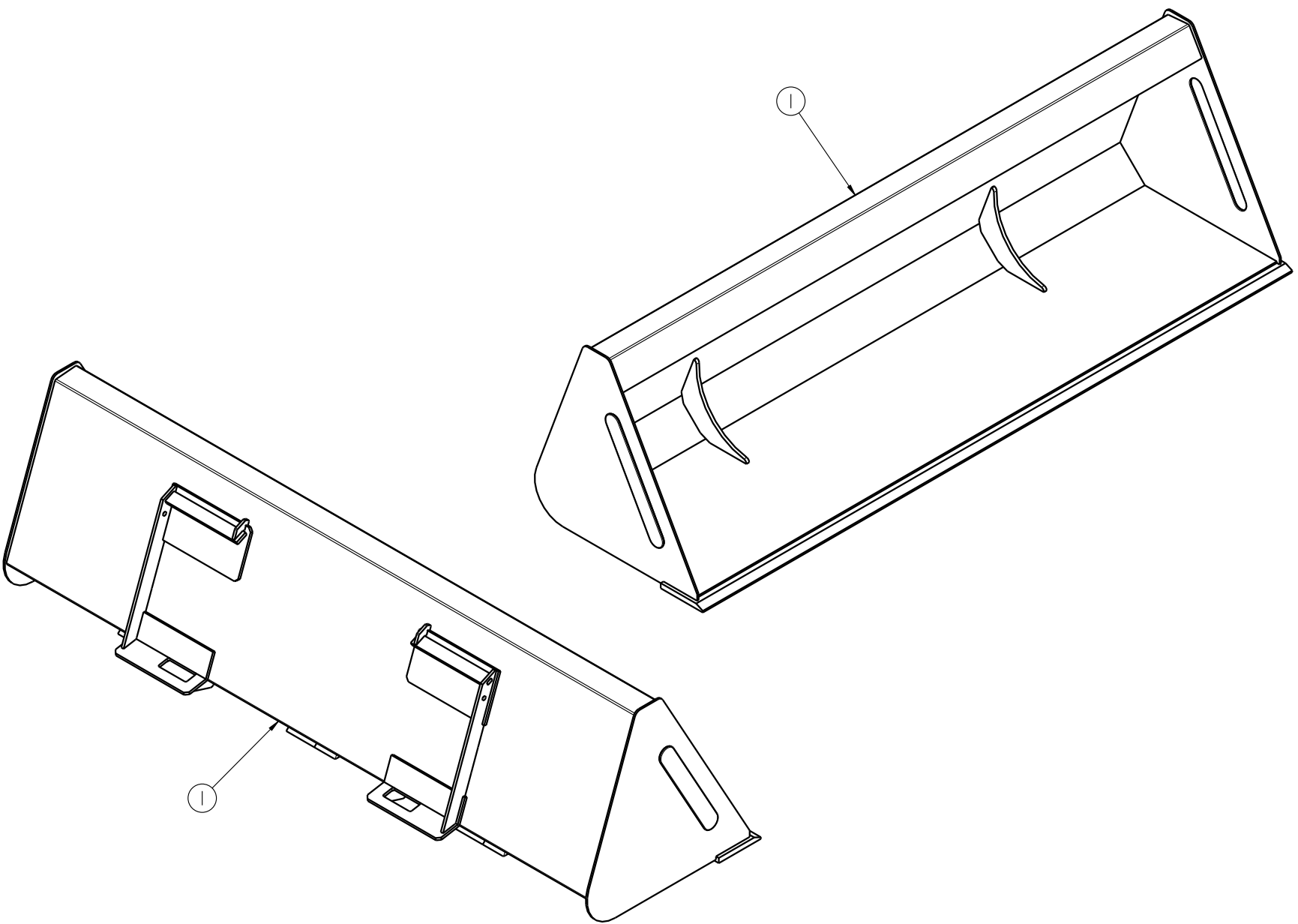
B1000B-000A

AT006.00

# COUPLER

| NO. | Part Number | Part Name    | Description | Q'ty | REMARK |
|-----|-------------|--------------|-------------|------|--------|
| 1   | B1000B-200A | COUPLER B/C  |             | 1    |        |
| 2   | B0945A-1110 | LEVER RH.    | 10t         | 1    |        |
| 3   | B0945A-1120 | LEVER LH.    | 10t         | 1    |        |
| 4   | B0945A-1210 | PIN          | 30x30       | 2    |        |
| 5   | B0945A-1220 | PIN          | Ø30         | 2    |        |
| 6   | B0945A-1230 | PIN          | Ø30         | 2    |        |
| 7   | B0945A-1310 | SPRING       | Ø5          | 2    |        |
| 8   | B0945A-1320 | SPRING       | Ø4.5        | 2    |        |
| 9   | WP16M       | PLAIN WASHER | M16         | 2    |        |
| 10  | NL16200Z    | LOCK NUT     | M16         | 6    |        |
| 11  | PS08040     | SPRING PIN   | Ø8x40L      | 2    |        |

# BUCKET ASSEMBLY



(-)

(-)

LP58-02-000C

BK005.00-100

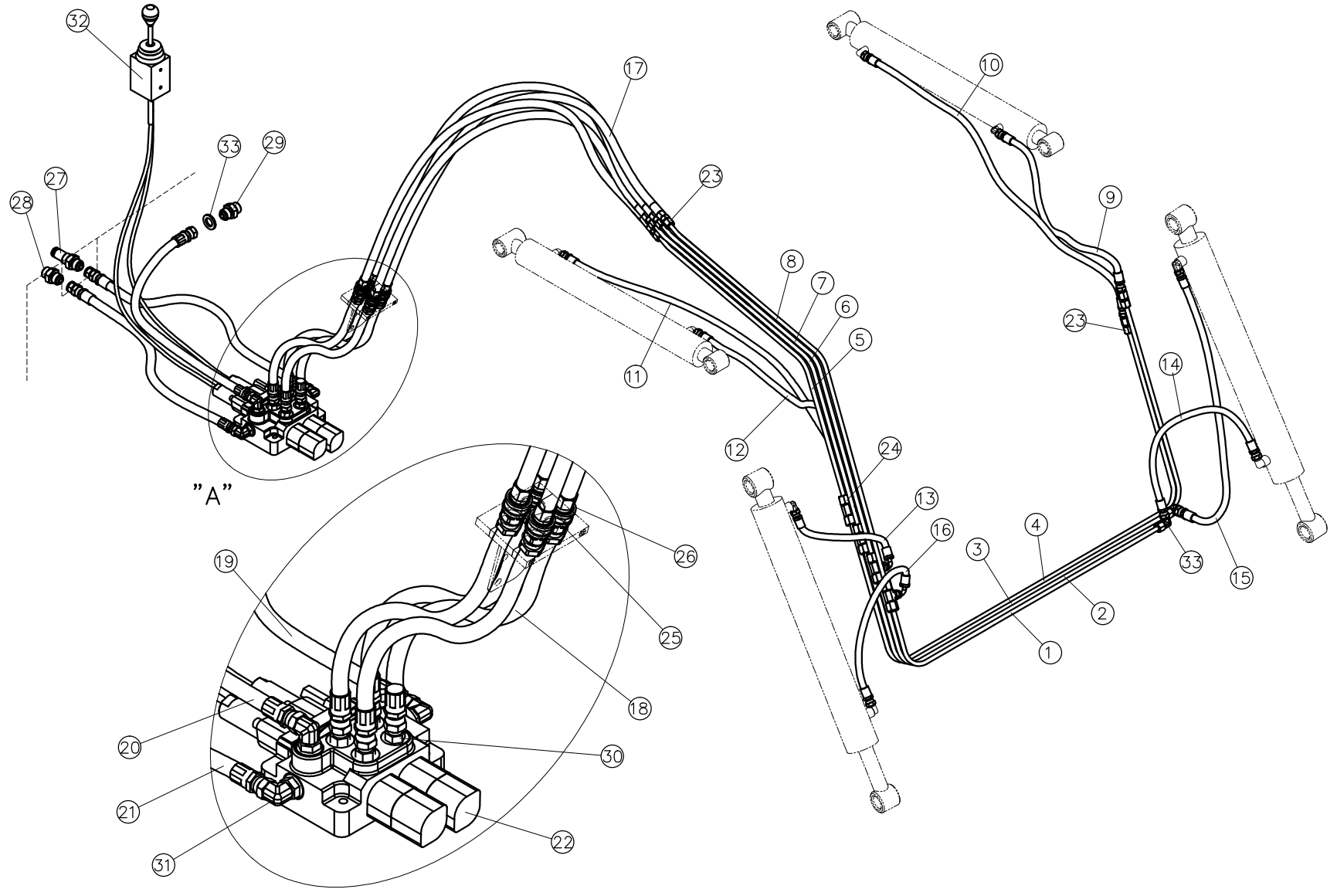


# BUCKET ASSEMBLY

(P/N: LP58-02-000C)

| NO. | PART NUMBER  | PART NAME | DESCRIPTION | Q'TY | REMARK |
|-----|--------------|-----------|-------------|------|--------|
| 1   | LP58-02-000C | BUCKET    | L=2100      | 1    |        |

# HYDRAULIC PARTS



"A"

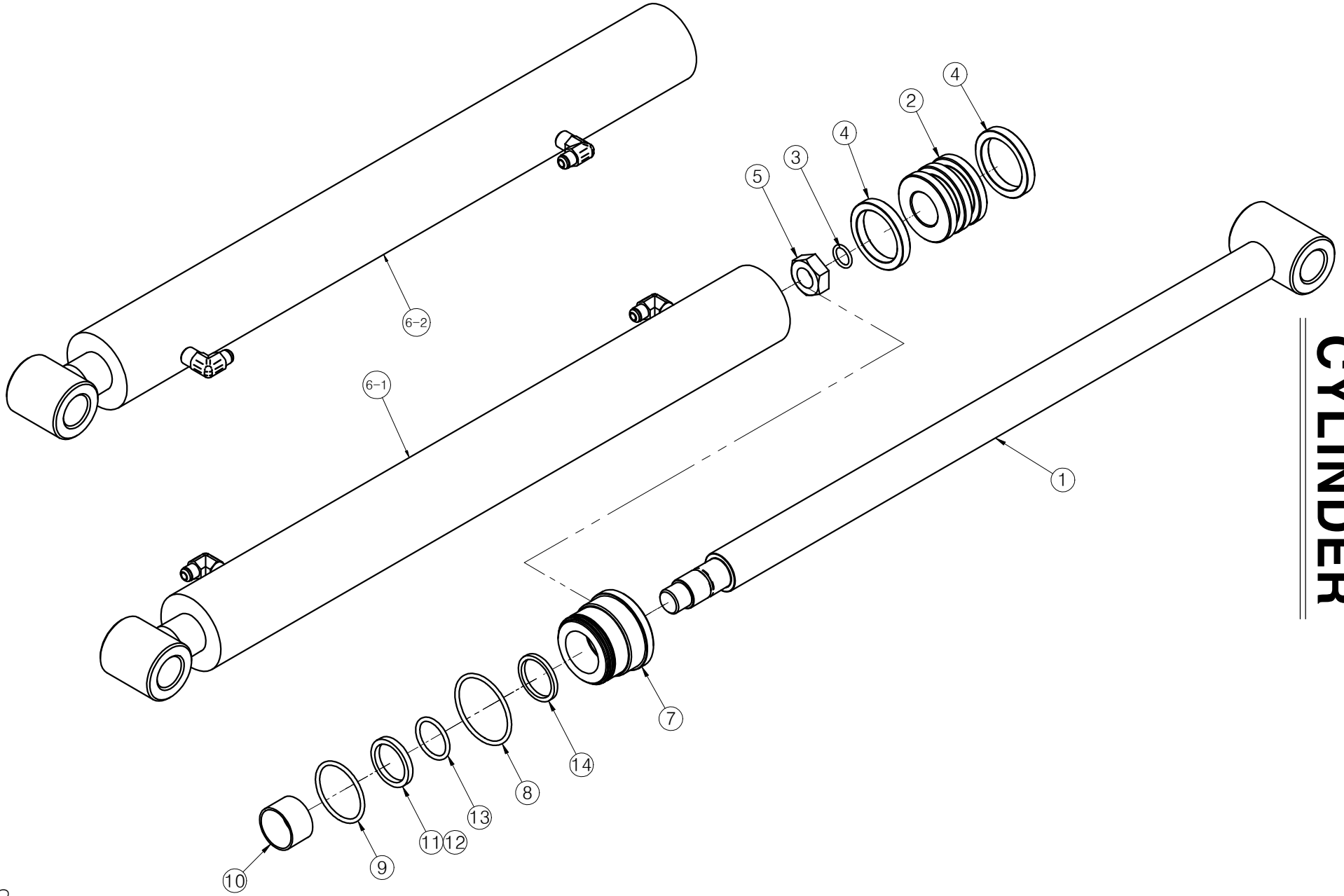
VIEW "A"

HP032.00

HP032.00

# HYDRAULIC PARTS

| NO. | PART NAME     | PART NUMBER    | Q'TY | REMARK     |
|-----|---------------|----------------|------|------------|
| 1   | PIPE          | 8595-07-1100   | 1    |            |
| 2   | PIPE          | 8595-07-1200   | 1    |            |
| 3   | PIPE          | 8595-07-1300   | 1    |            |
| 4   | PIPE          | 8595-07-1400   | 1    |            |
| 5   | PIPE          | 8595-07-1500   | 1    |            |
| 6   | PIPE          | 8595-07-1600   | 1    |            |
| 7   | PIPE          | 8595-07-1700   | 1    |            |
| 8   | PIPE          | 8595-07-1800   | 1    |            |
| 9   | HOSE ASS'Y    | 3P81-1110      | 1    |            |
| 10  | HOSE ASS'Y    | 3P81-1130      | 1    |            |
| 11  | HOSE ASS'Y    | 3P81-1120      | 1    |            |
| 12  | HOSE ASS'Y    | 3P81-1080      | 1    |            |
| 13  |               |                | 1    |            |
| 14  | HOSE ASS'Y    | 3P81-0520      | 1    |            |
| 15  | HOSE ASS'Y    | 3P81-1050      | 1    |            |
| 16  | HOSE ASS'Y    | 3P81-1070      | 1    |            |
| 17  | HOSE ASS'Y    | 3P81-1140      | 4    |            |
| 18  | HOSE ASS'Y    | 3P81-1100      | 4    |            |
| 19  | HOSE ASS'Y    | 3P81-1060      | 1    |            |
| 20  | HOSE ASS'Y    | 3P81-1090      | 1    |            |
| 21  | HOSE ASS'Y    | 3P81-1040      | 1    |            |
| 22  | CONTROL VALVE | DN2 3/4SAEZ3   | 1    | Flt. Reg.  |
| 23  | NIPPLE        | ALK 28-07-9800 | 8    |            |
| 24  | TEE NIPPLE    | ALK 28-07-9900 | 4    |            |
| 25  | Q-COUPLER(M)  | ALK 28-07-7400 | 4    |            |
| 26  | Q-COUPLER(F)  | ALK 28-07-7300 | 4    |            |
| 27  | O-RING NIPPLE | M7040-07-7010  | 1    | "P" Port   |
| 28  | O-RING NIPPLE | M7040-07-7020  | 1    | "P/B" Port |
| 29  | O-RING NIPPLE | M7040-07-7030  | 1    | "T" Port   |
| 30  | O-RING NIPPLE | M7040-07-7040  | 4    |            |
| 31  | O-RING NELBOW | M7040-07-7050  | 3    | NUT TYPE   |
| 32  | LEVER ASS'Y   | WK400-4K5050   | 1    | L=1000mm   |
|     |               |                |      |            |
|     |               |                |      |            |



# CYLINDER

# CYLINDER

| NO. | PART NAME  | PART NUMBER     |                 | Q'TY | REMARK |
|-----|--|-----------------|-----------------|------|--------|
|     |  | BUCKET          | BOOM            |      |        |
| 1   | ROD  | 7590A-05-1020   | 7085A-05-2020   | 1    |        |
| 2   | PISTON   | 7085A-05-1120   | 7085A-05-1120   | 1    |        |
| 3   | O-RING   | 1BP21           | 1BP21           | 1    |        |
| 4   | U-PACKING  | ODI 70x55x9     | ODI 70x55x9     | 2    |        |
| 5   | NUT  | 7085A-05-1150   | 7085A-05-1150   | 1    |        |
| 6-1 | TUBE   | -               | 7085A-05-201A   | 1    |        |
| 6-2 |  | 7590A-05-121A   | -               | 1    |        |
| 7   | COVER ROD  | 7085A-05-1220   | 7085A-05-1030   | 1    |        |
| 8   | O-RING   | 1BG70           | 1BG70           | 1    |        |
| 9   | O-RING   | 1BP60           | 1BP60           | 1    |        |
| 10  | DU BUSH  | 7085A-05-1250   | 7085A-05-1060   | 1    |        |
| 11  | U-PACKING  | ISI 40x50x6     | ISI 40x50x6     | 1    |        |
| 12  | BACK UP RING   | BRT3 40x50x2    | BRT3 40x50x2    | 1    |        |
| 13  | O-RING   | 1BP40           | 1BP40           | 1    |        |
| 14  | DUST SEAL  | LBI 40x48x5/6.5 | LBI 40x48x5/6.5 | 1    |        |
|     | SEAL KIT<br>(Include 3 , 4 , 8 , 9<br>11 , 12 , 13 , 14) | SEAL 7040       | SEAL 7040       |      |        |

# DECAL & MANUAL

