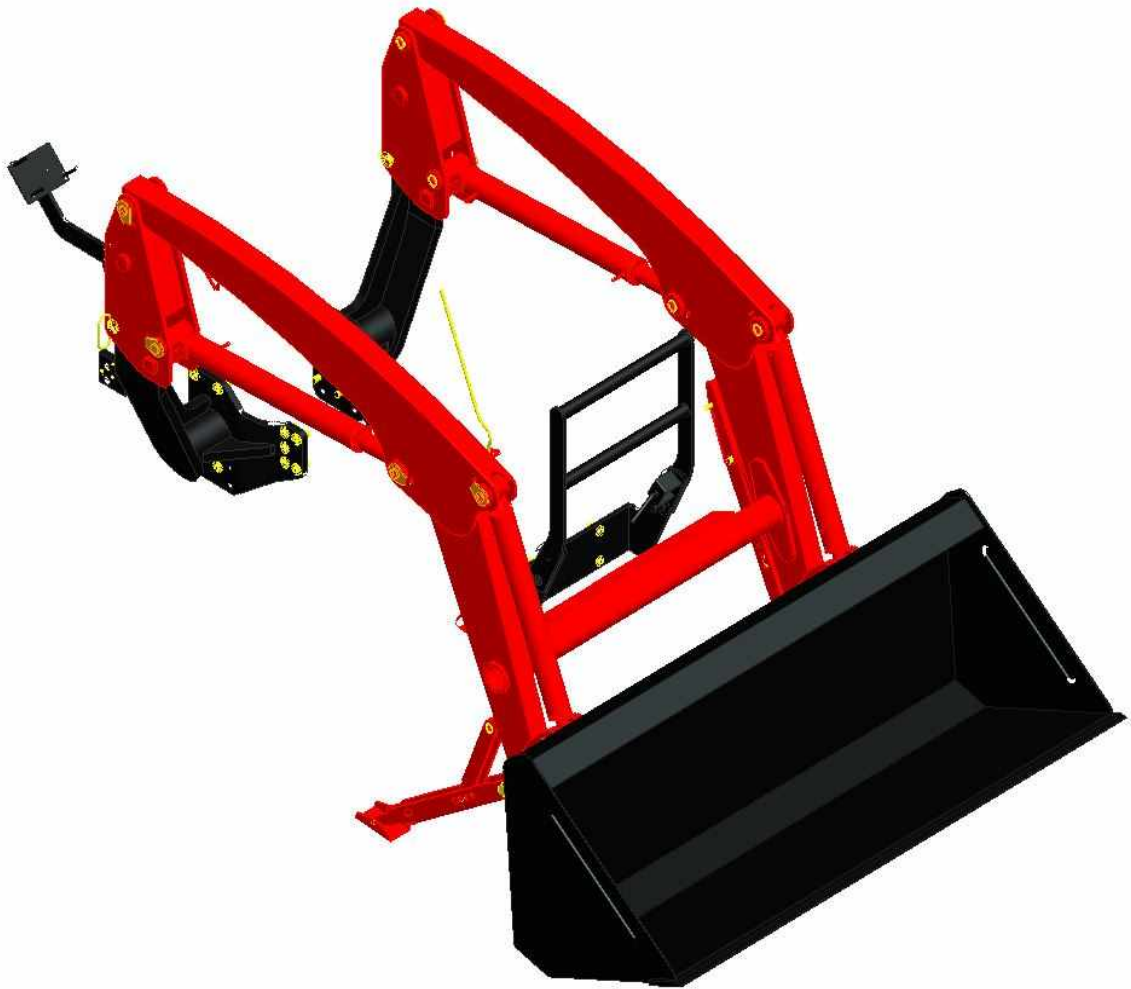


PARTS MANUAL

2545C



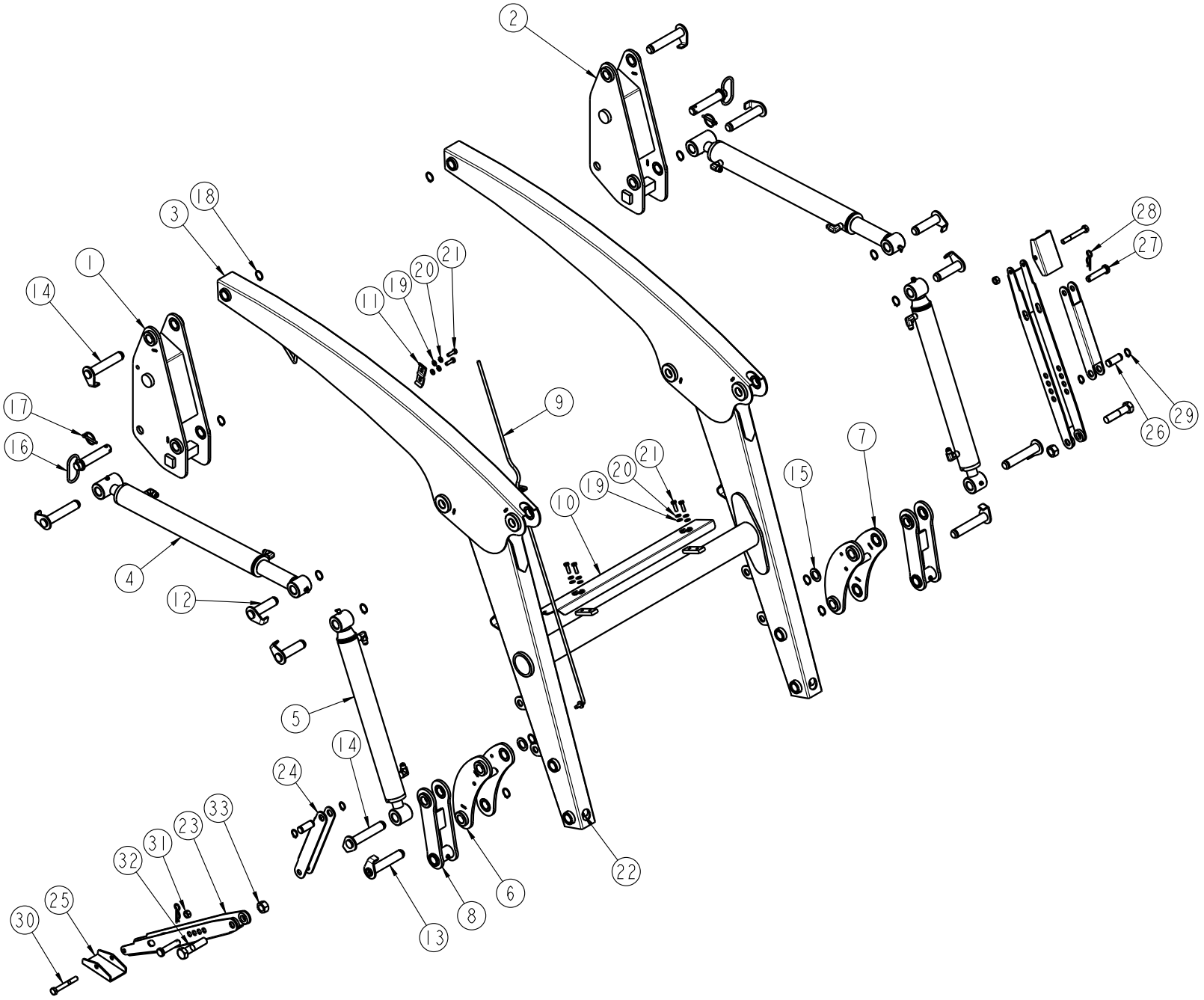
Front-End Loader

M14003
Printed 2014, 06, 20

Table of Contents

(2545C)

Boom Assembly -----	2
Bucket Assembly -----	4
Mounting Kit -----	6
Cylinder Assembly -----	8
Hydraulic Parts -----	10
Decal & Manual -----	12



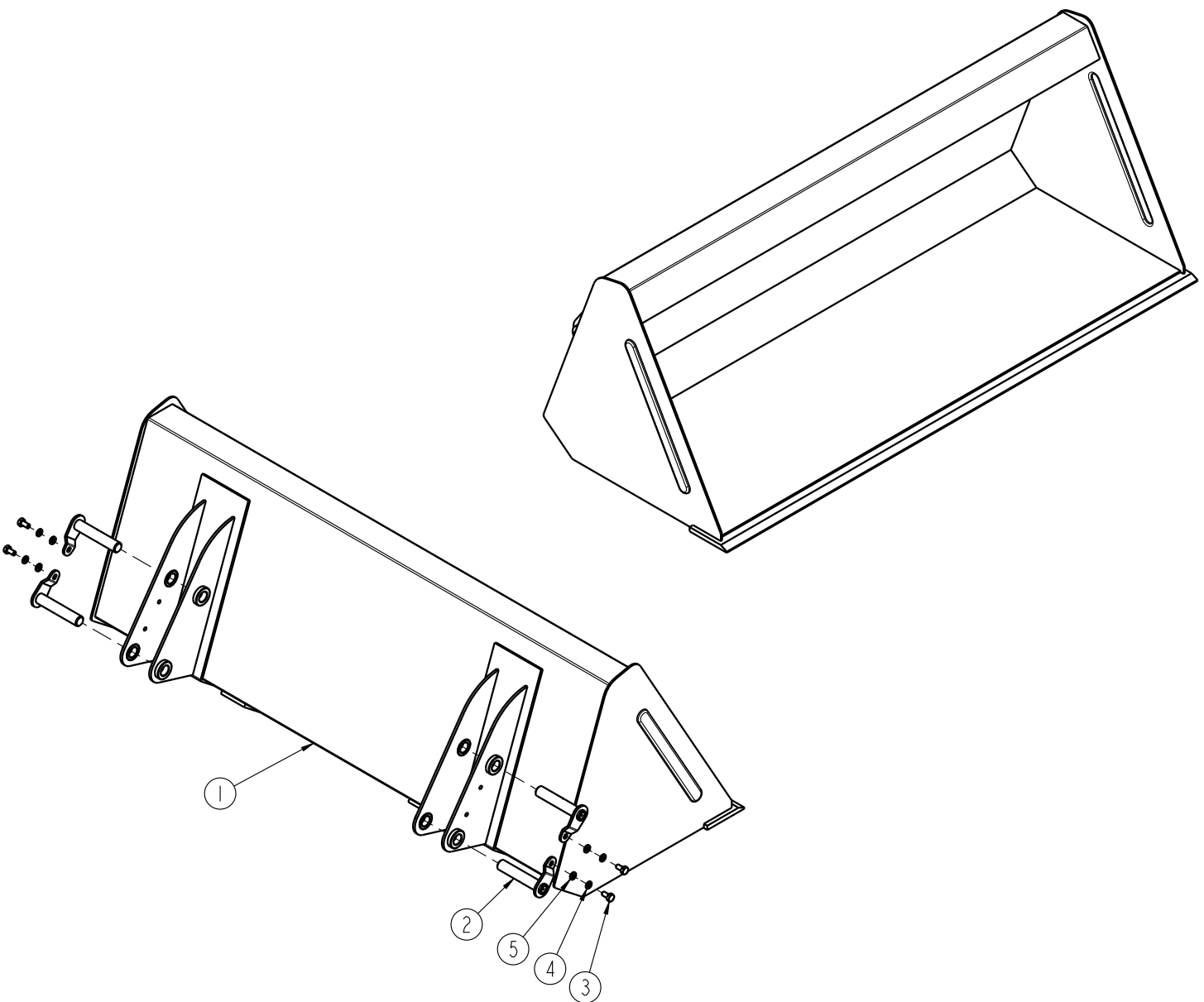
BOOM ASSEMBLY

BOOM ASSEMBLY

(P/N: C1850H)

NO.	PART NUMBER	PART NAME	DESCRIPTION	Q'TY	REMARK
1	C1850F-3100	COLUMN, RH.		1	
2	C1850F-3200	COLUMN, LH.		1	
3	C1850G-0000	BOOM ASSY		1	
4	C1850F-8000	CYLINDER BOOM	∅55x∅30x800LxST447	2	
5	C1850F-9000	BUCKET CYLINDER	∅50x∅30x625LxST390	2	
6	C1850F-6000	LINK BUCKET RH.		1	
7	C1850F-7000	LINK BUCKET LH.		1	
8	C1850F-4100	BUCKET ROD		2	
9	2540A-450A	INDICATOR ASSY		1	
10	4060A-7010	COVER	2.3†	1	
11	ALN47-07-3100	COVER	4†	1	
12	P25G-0870	PIN		4	
13	P25E-1230	PIN		2	
14	P25G-1250	PIN		6	
15	P25G-0010	SHIM	2.3†	2	
16	P25C-1030	PIN	∅25	2	
17	AL20-98-9990	LINK PIN		2	
18	SN25M	SNAP RING	∅25	12	
19	WP08M	PLAIN WASHER	M8	6	
20	WS08M	SPRING WASHER	M8	6	
21	BH0855125Z	BOLT	M8x25L	6	
22	GN08M	GREASE NIPPLE	M8	6	
23	3045A-8100	STAND		2	
24	3045A-8200	BRACKET	4†	2	
25	4060A-8400	BRACKET	4†	2	
26	4060A-8520	PIN	∅20x48L	2	
27	4060A-8530	PIN	∅16x80L	2	
28	PR30045	R-PIN	∅3	2	
29	SN20M	SNAP RING	∅20	4	
30	BH1216175Z	BOLT(10.9T)	M12x90L	2	
31	NL12175Z	LOCK NUT	M12	2	
32	BH20H5250X	BOLT(10.9T)	M20x85L	2	
33	NL20250Z	LOCK NUT	M20	2	

BUCKET ASSEMBLY



BT38G

BK032.00-D01

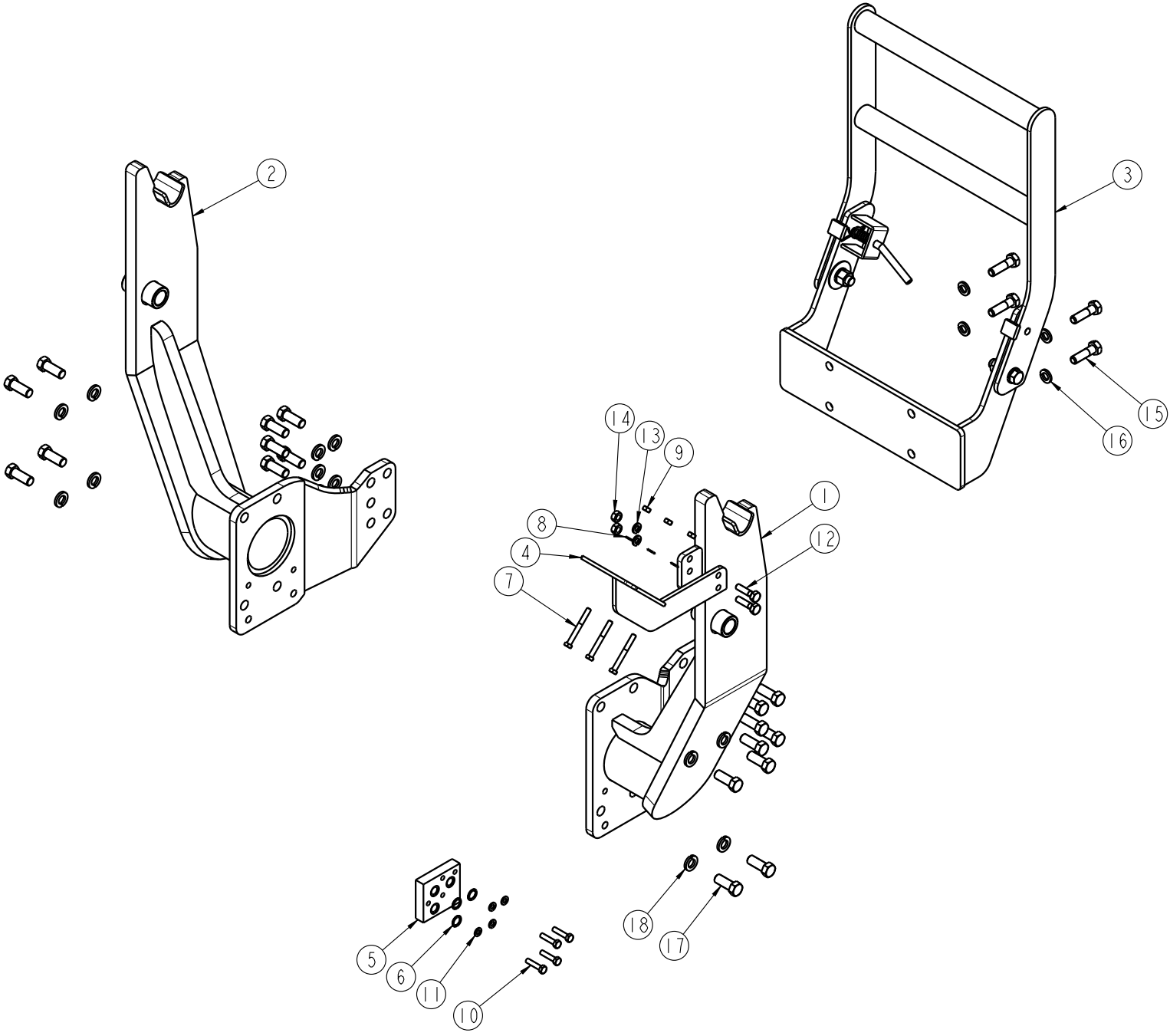
BUCKET ASSEMBLY

(P/N: BT38G)

NO.	PART NUMBER	PART NAME	DESCRIPTION	Q'TY	REMARK
1	AKU30-02-000G	BUCKET	L=1520	1	
2	P25A-130A	PIN		4	
3	BH1044150Z	BOLT(10.9T)	M10x20L	4	
4	WP10M	PLAIN WASHER	M10	4	
5	WS10M	SPRING WASHER	M10	4	

L3301A

L3301A.00-D01



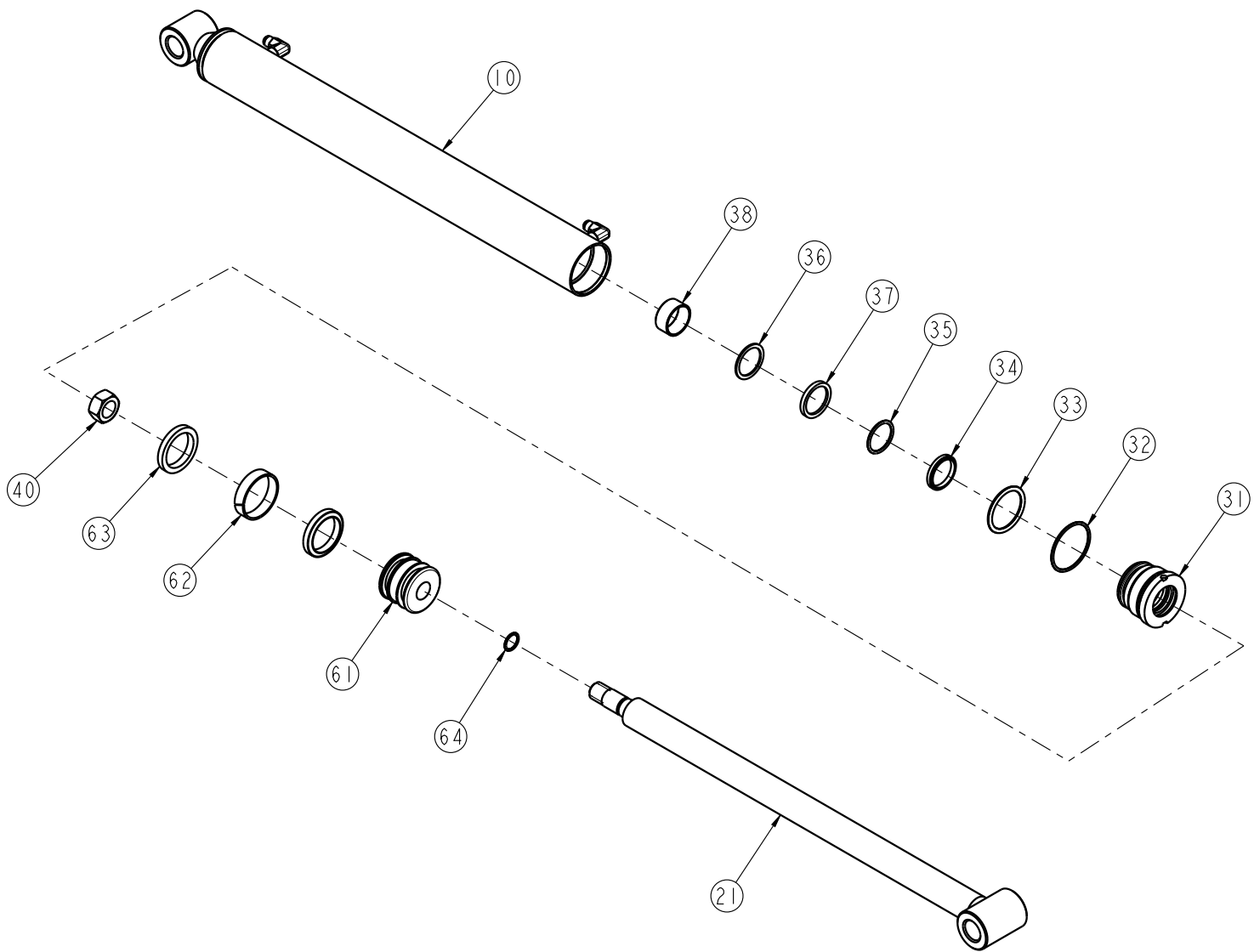
MOUNTING KIT

MOUNTING KIT

(P/N: L3301A)

NO.	PART NUMBER	PART NAME	DESCRIPTION	Q'TY	REMARK
1	L3301A-1100	SUB FRAME RH.		1	
2	L3301A-1200	SUB FRAME LH.		1	
3	L3301B-4000	BUMPER ASSY		1	
4	L2800B-8100	BRACKET-C/V		1	
5	L2800A-9900	BLOCK	19t	1	
6	P16	O-RING	Ø16	3	
7	BH08E6125Z	BOLT	M8x70L	3	
8	WS08M	SPRING WASHER	M8	3	
9	NH08125Z	NUT	M8	3	
10	BH0877125Z	BOLT	M8x35L	4	
11	WP08M	PLAIN WASHER	M8	4	
12	BH1086150Z	BOLT(10.9T)	M10x40L	2	
13	WS10M	SPRING WASHER	M10	2	
14	NH10150Z	NUT	M10	2	
15	BH14A7150Z	BOLT(10.9T)	M14x50Lx1.5P	4	
16	WS14M	SPRING WASHER	M14	4	
17	BH1688150Z	BOLT(10.9T)	M16x40Lx1.5P	18	
18	WS16M	SPRING WASHER	M16	18	

CYLINDER ASSEMBLY



CYLINDER

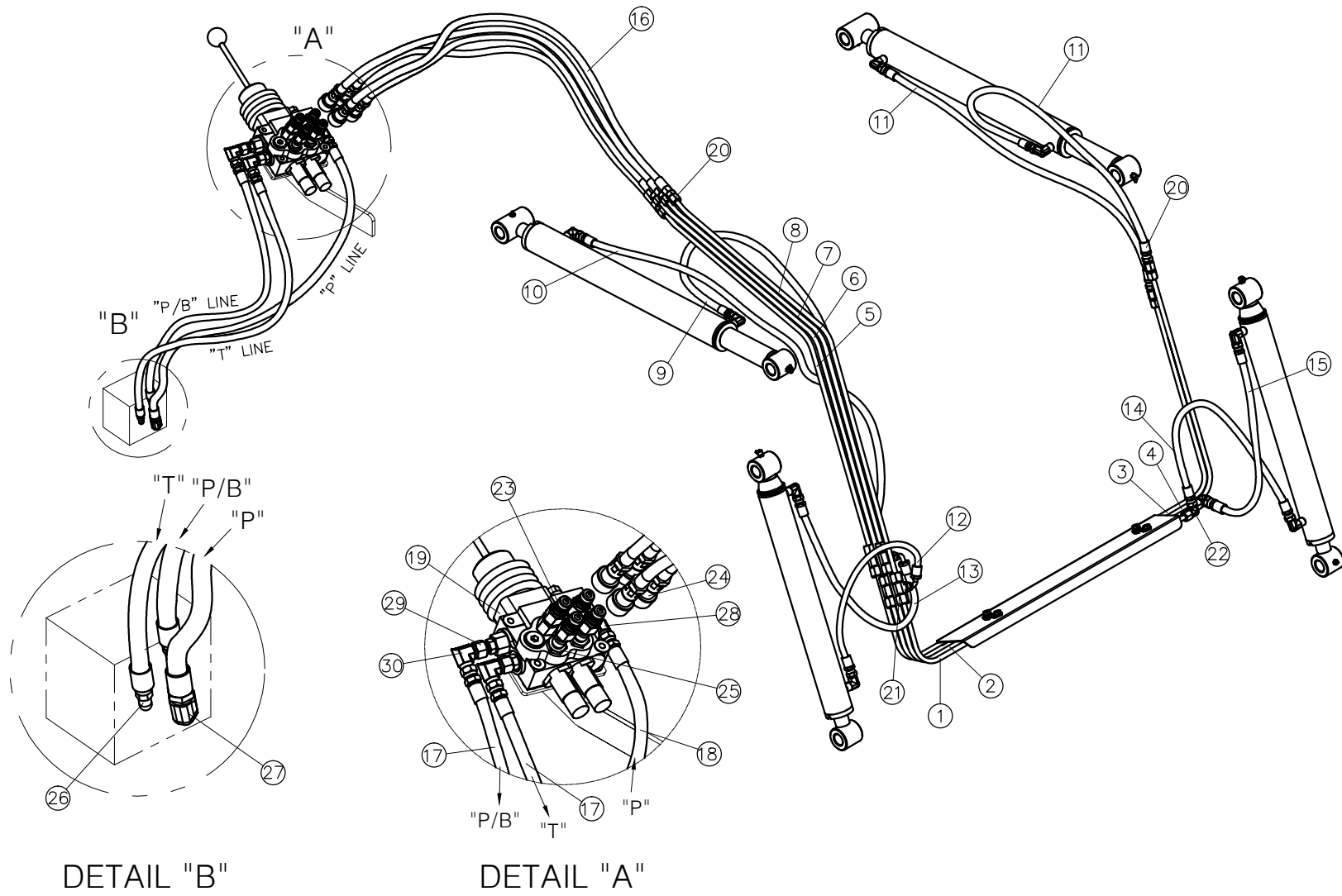
CYLINDER ASSEMBLY

NO.	PART NAME	PART NUMBER		Q'TY	REMARK
		BUCKET (C1850F-9000)	BOOM (C1850F-8000)		
10	TUBE	C1850F-9100	C1850F-8100	1	
21	ROD	C1850F-9300	C1850F-8300	1	
31	COVER ROD	CR5030	CR5530	1	
32	O-RING	1BG50	1BG55	1	
33	O-RING	1BG44	1BG49	1	
34	DUST SEAL	LBW 30x38x5/6.5	LBW 30x38x5/6.5	1	
35	O-RING	1BP30	1BP30	1	
36	BACK UP RING	BRWW 30x40x2	BRWW 30x40x2	1	
37	U-PACKING	ISW 30x40x6	ISW 30x40x6	1	
38	DU BUSH	DU3020	DU3020	1	
40	NUT	CY-M20	CY-M20	1	
61	PISTON	PI5030-W	PI5530-W	1	
62	WEAR-RING	WRW 50x45x15	WRW 55x50x15	1	
63	U-PACKING	ODW 50x35x9	ODW 55x40x10	2	
64	O-RING	1BP18	1BP18	1	
	SEAL KIT (Include 32,33,34,35 36,37,63,64)	SEAL 5030	SEAL 5530		

C1850F

C1850F.00-CY-T01

HYDRAULIC PARTS



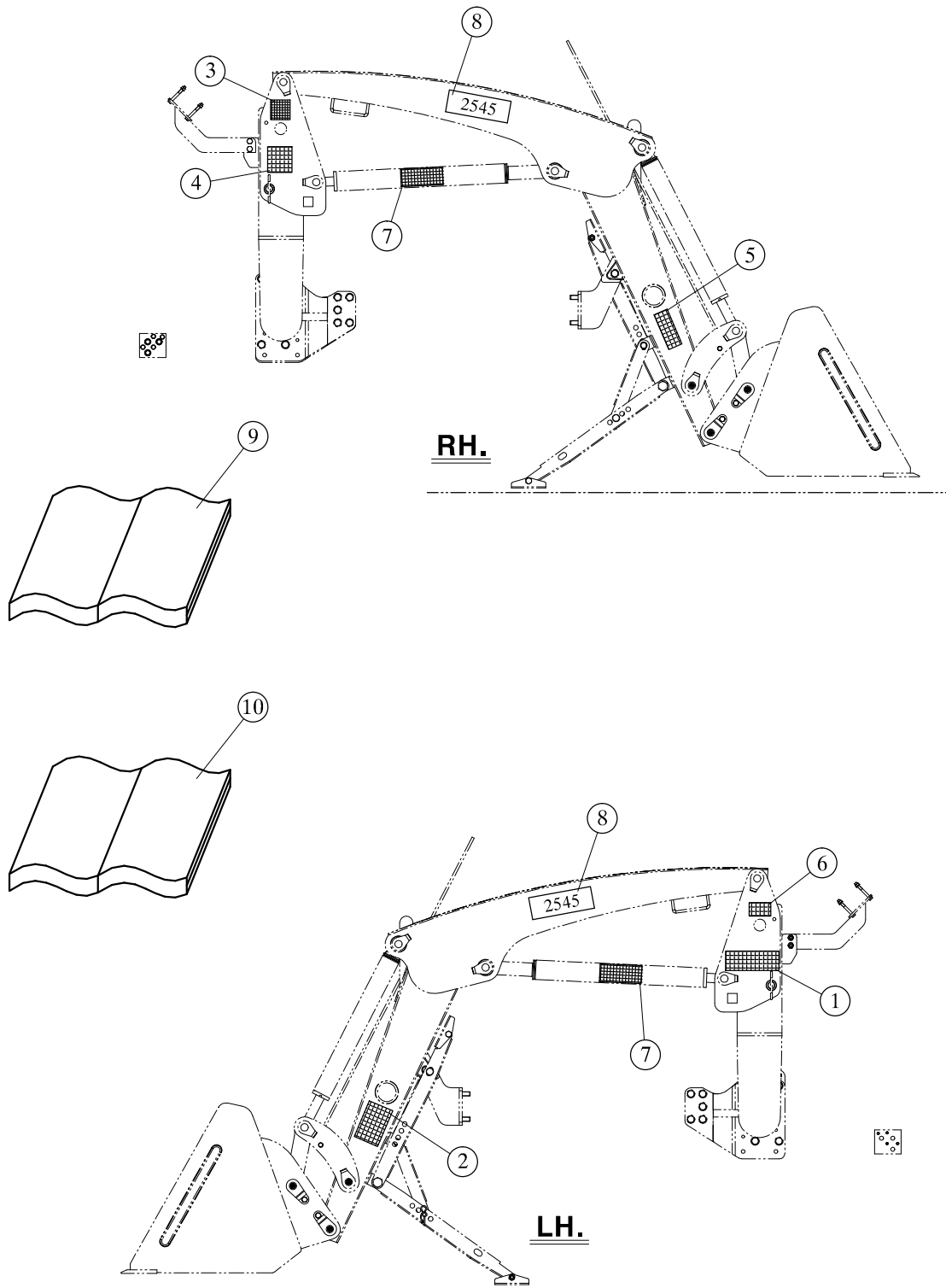
2545C, 2545C-QB, 4705-QB

HP144.00-D01

HYDRAULIC PARTS

NO.	PART NAME	PART NUMBER	Q'TY	REMARK
1	PIPE	C1850A-07-1100	1	
2	PIPE	C1850A-07-1200	1	
3	PIPE	C1850A-07-1300	1	
4	PIPE	C1850A-07-1400	1	
5	PIPE	C1850A-07-1500	1	
6	PIPE	C1850A-07-1600	1	
7	PIPE	C1850A-07-1700	1	
8	PIPE	C1850A-07-1800	1	
9	HOSE ASS'Y	5PG1-0300	1	
10	HOSE ASS'Y	5PG1-0760	1	
11	HOSE ASS'Y	5PG1-0060	2	
12	HOSE ASS'Y	5PG1-0140	1	
13	HOSE ASS'Y	5PG1-0050	1	
14	HOSE ASS'Y	5PG1-0570	1	
15	HOSE ASS'Y	5PG1-0480	1	
16	HOSE ASS'Y	3P81-0680	4	
17	HOSE ASS'Y	3P81-0670	2	
18	HOSE ASS'Y	3P81-0150	1	
19	CONTROL VALVE	HDM03/2	1	Besko Valve
20	NIPPLE	ALK28-07-9800	6	
21	TEE NIPPLE	ALK28-07-9900	4	
22	ELBOW NIPPLE	ALK28-07-9600	2	
23	Q-COUPLER(M)	ALK 28-07-720A	4	
24	Q-COUPLER(F)	ALK 28-07-710A	4	
25	NIPPLE	AL25-07-940B	4	
26	NIPPLE	ALK28-07-9200	2	
27	ELBOW NIPPLE	ALK28-07-9500	1	
28	ELBOW NIPPLE	ALK28-07-781B	1	
29	O-RING NIPPLE	7860-07-7080	2	
30	SWIVEL ELBOW NIPPLE	S1600G-07-0010	2	

DECAL & MANUAL



DECAL & MANUAL

NO.	PART NAME	PART NUMBER	Q'TY	REMARK
1	DECAL	03L01	1	
2	DECAL	03L02	1	
3	DECAL	03L03	1	
4	DECAL	03L04	1	
5	DECAL	03L05	1	
6	DECAL	03L06	1	
7	DECAL	12L12	2	
8	DECAL	11L24	2	"2545"
9	OPERATOR'S MANUAL	M03L01	1	
10	PARTS MANUAL	M14003	1	