

# ***PARTS MANUAL***

**T6075-QB**



**Front-End Loader**

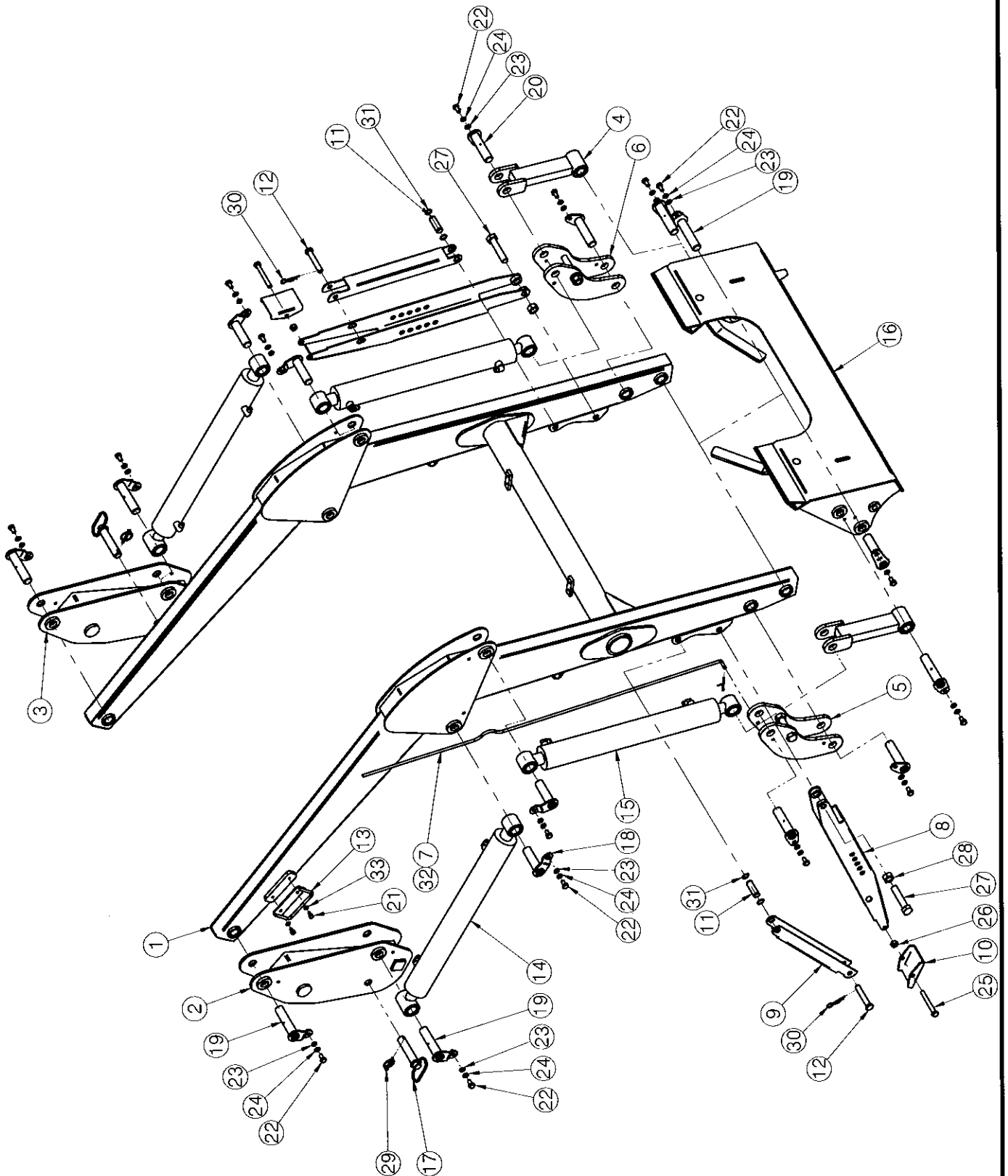
M08015  
Printed 2008, 09, 02

# Table of Contents

## (T6075-QB)

Boom Assembly -----	2
Coupler Assembly -----	4
Mounting Kits Assembly -----	6
Bucket Assembly -----	8
Hydraulic Parts -----	10
Cylinder -----	12
Decal & Manual -----	14

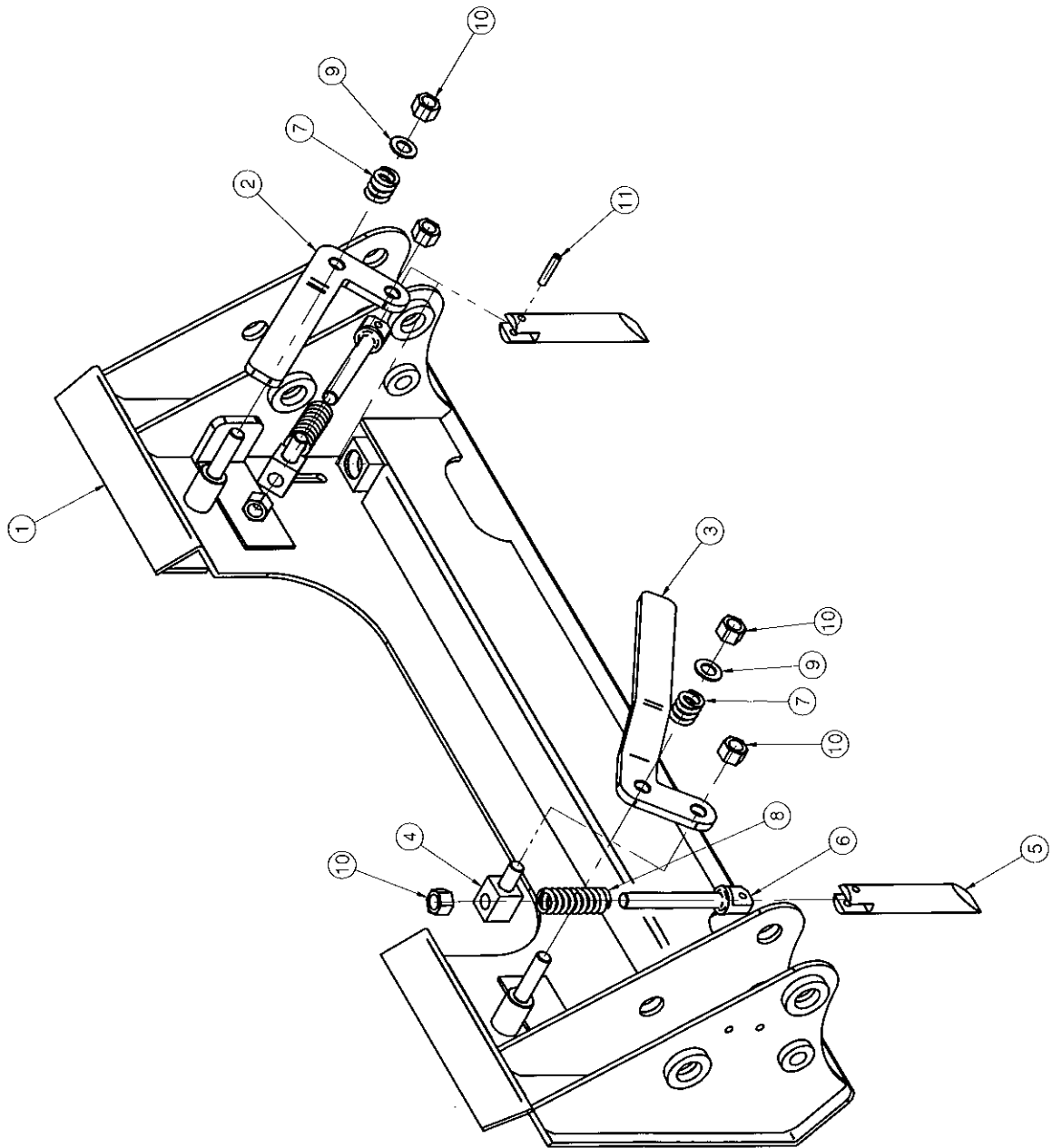
# BOOM & COUPLER



# BOOM & COUPLER

NO.	PART NAME	PART NUMBER	Q'TY	REMARK
1	BOOM	5570C-0000	1	
2	COLUMN RH.	5570B-3100	1	
3	COLUMN LH.	5570B-3200	1	
4	ROD	5570B-4100	2	
5	BRACKET RH.	5570B-4300	1	
6	BRACKET LH.	5570B-4400	1	
7	INDICATOR	ALK 40-09-310A	1	
8	STAND	S7085A-8100	2	
9	LINK-STD	S7085A-8200	2	
10	SUPPORTER	S7085A-8400	2	
11	PIN	S7085A-8520	2	
12	PIN	S7085A-8530	2	
13	BRACKET	S7085A-9500	1	
14	CYLINDER-BOOM	5570C-09-8000	2	
15	CYLINDER-BUCKET	5570B-09-900A	2	
16	COUPLER B/C	B1000B-0000	1	
17	PIN-LEVER	P25C-1030	2	
18	PIN	P28A-100A	4	
19	PIN	P28A-125A	8	
20	PIN	P28B-115A	4	
21	BOLT(10.9)	BH0833125Z	2	
22	BOLT(10.9T)	BH1044150Z	16	
23	PLAIN WASHER	WP10M	16	
24	SPRING WASHER	WS10M	16	
25	BOLT(10.9T)	BH12K7175Z	2	
26	LOCK NUT	NL12175Z	2	
27	BOLT(10.9T)	BH20KA250Z	2	
28	LOCK NUT	NL20250Z	2	
29	LINK PIN	AL 20-98-9990	2	
30	R-PIN	PR30045	2	
31	SNAP RING	SN20M	4	
32	SPLIT PIN	PD03025	1	
33	SPRING WASHER	WS08M	2	
34				

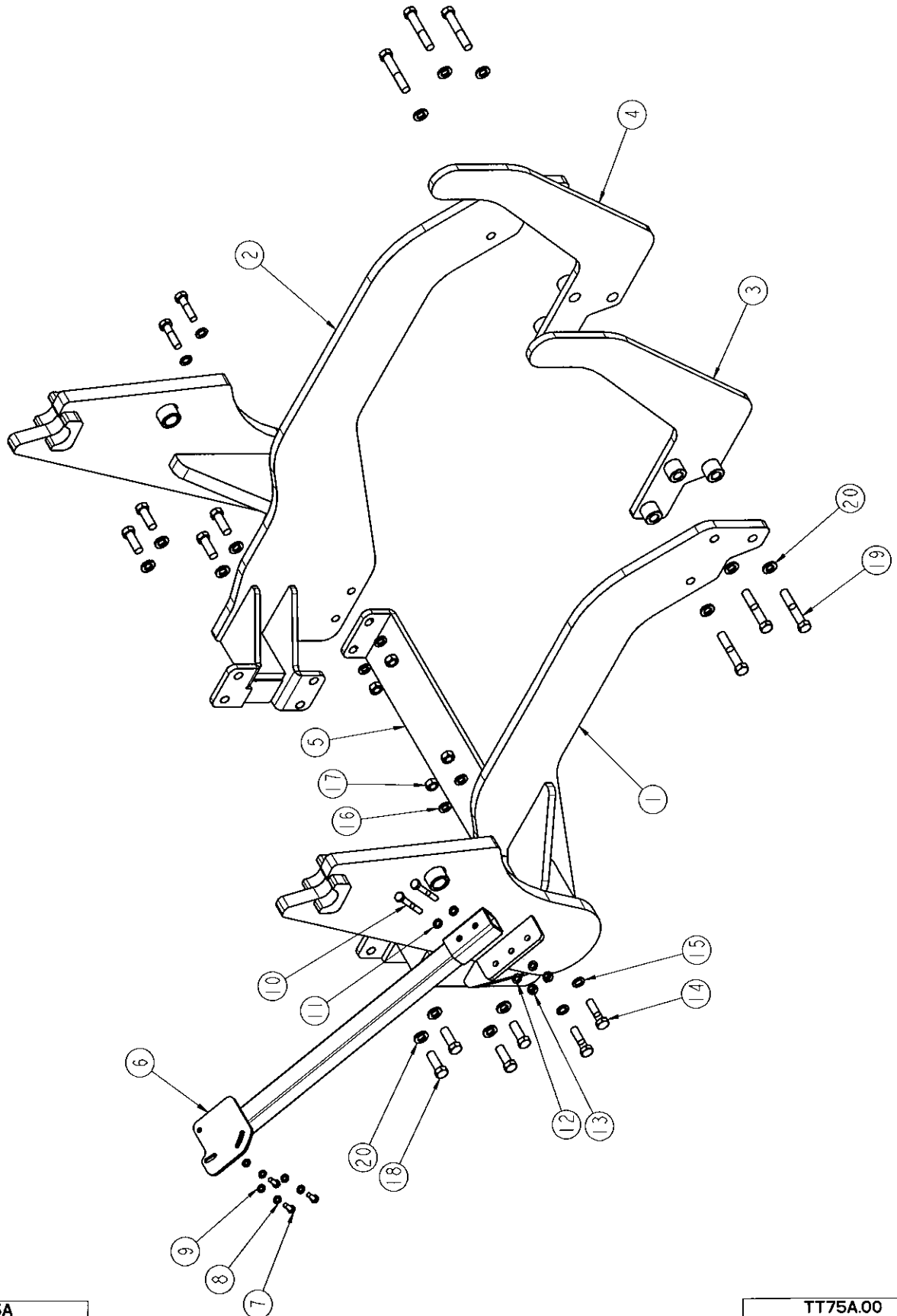
# COUPLER



# COUPLER

NO.	Part Number	Part Name	Description	Q'ty	REMARK
1	B1000B-2000	COUPLER B/C		1	
2	B0945A-1110	LEVER RH.	10t	1	
3	B0945A-1120	LEVER LH.	10t	1	
4	B0945A-1210	PIN	30x30	2	
5	B0945A-1220	PIN	Ø30	2	
6	B0945A-1230	PIN	Ø30	2	
7	B0945A-1310	SPRING	Ø5	2	
8	B0945A-1320	SPRING	Ø4.5	2	
9	WP16M	PLAIN WASHER	M16	2	
10	NL16200Z	LOCK NUT	M16	6	
11	PS08040	SPRING PIN	Ø8x40L	2	

# MOUNTING LIT

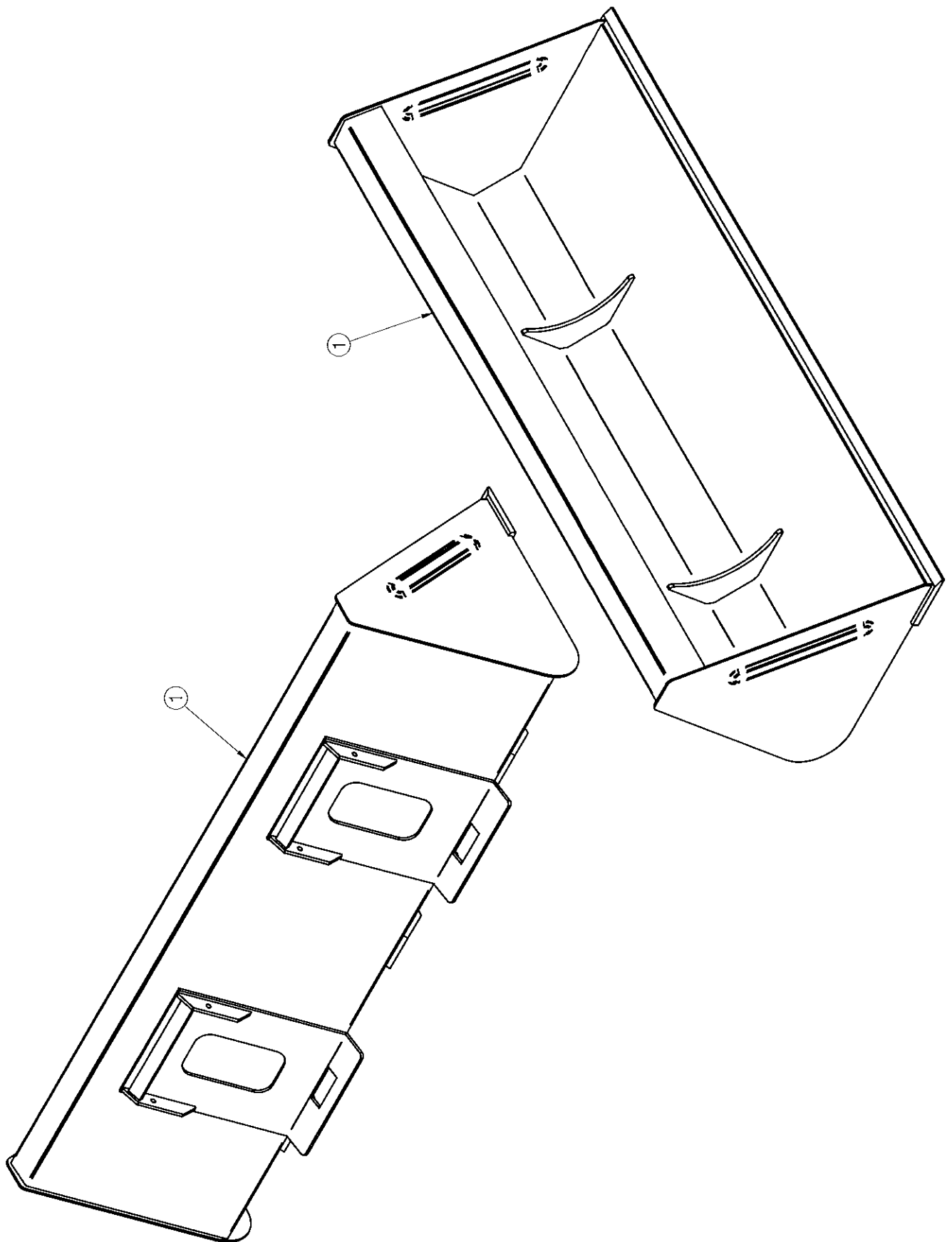


# MOUNTING KIT

NO.	PART NUMBER	PART NAME	DESCRIPTION	Q'TY	REMARK
1	TT75A-1100	SUB FRAME, RH.		1	
2	TT75A-1200	SUB FRAME, LH.		1	
3	TT50A-4100	BUMPER, RH.		1	
4	TT50A-4200	BUMPER, LH.		1	
5	TT75A-6100	UNDER BAR	12†	1	
6	7860B-8100	VALVE BRACKET		1	
7	BH0844125Z	BOLT(10.9T)	M8x20L	3	
8	WP08M	PLAIN WASHER	M8	3	
9	WS08M	SPRING WASHER	M8	3	
10	BH10F6150Z	BOLT(10.9T)	M10x75L	2	
11	WP10M	PLAIN WASHER	M10	2	
12	WS10M	SPRING WASHER	M10	2	
13	NH10150Z	NUT	M10	2	
14	BH14B7200Z	BOLT(10.9T)	M14x55L	4	
15	WP14M	PLAIN WASHER	M14	4	
16	WS14M	SPRING WASHER	M14	4	
17	NH14200Z	NUT	M14	4	
18	BH1699150Z	BOLT(10.9T)	M16x45Lx1.5P	8	
19	BH1618150Z	BOLT(10.9T)	M16x90Lx1.5P	6	
20	WS16M	SPRING WASHER	M16	14	

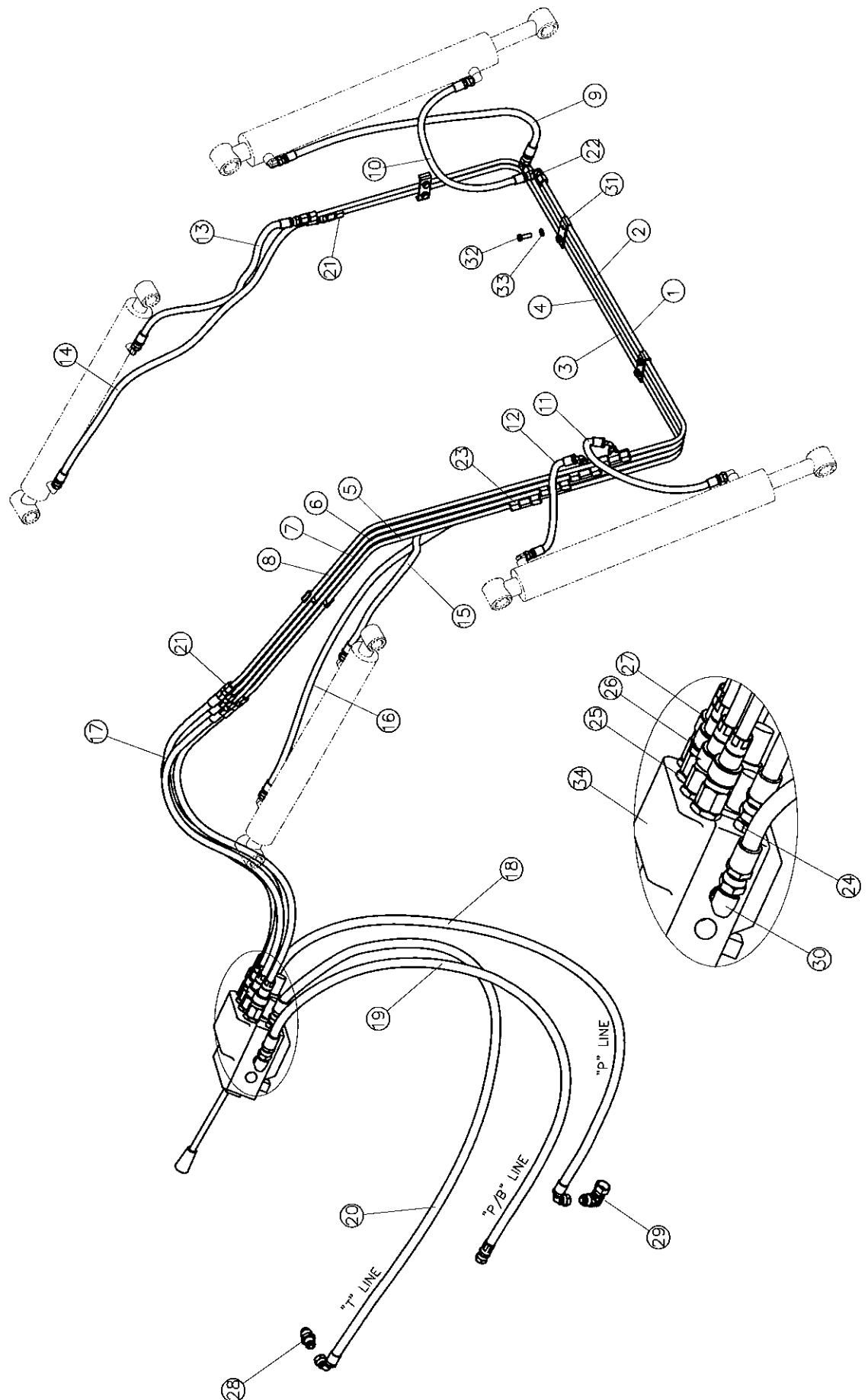


# BUCKET





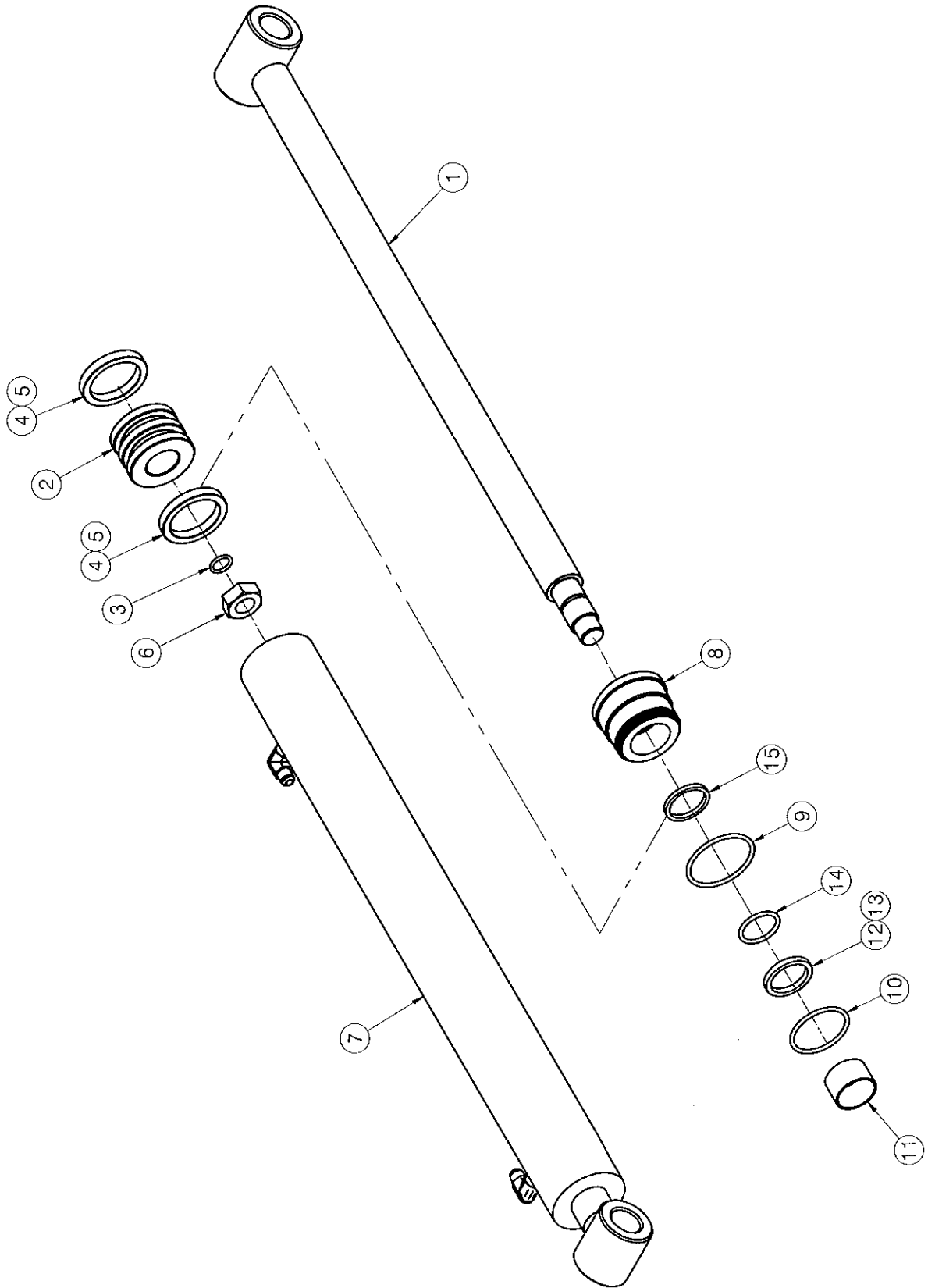
# HYDRAULIC PARTS



# HYDRAULIC PARTS

NO.	PART NAME	PART NUMBER	Q'TY	REMARK
1	PIPE	BL30-07-1100	1	
2	PIPE	BL30-07-1200	1	
3	PIPE	BL30-07-1300	1	
4	PIPE	BL30-07-1400	1	
5	PIPE	BL30-07-1500	1	
6	PIPE	BL30-07-1600	1	
7	PIPE	BL30-07-1700	1	
8	PIPE	BL30-07-1800	1	
9	HOSE ASS'Y	5PG1-0160	1	
10	HOSE ASS'Y	5PG1-0170	1	
11	HOSE ASS'Y	5PG1-0250	1	
12	HOSE ASS'Y	5PG1-0320	1	
13	HOSE ASS'Y	5PG1-0270	1	
14	HOSE ASS'Y	5PG1-0280	1	
15	HOSE ASS'Y	5PG1-0310	1	
16	HOSE ASS'Y	5PG1-0300	1	
17	HOSE ASS'Y	3P81-0660	4	
18	HOSE ASS'Y	1P22-0070	1	
19	HOSE ASS'Y	1P22-0080	1	
20	HOSE ASS'Y	1P22-0090	1	
21	NIPPLE	ALK 28-07-9800	6	
22	ELBOW NIPPLE	ALK 28-07-9500	2	
23	TEE NIPPLE	ALK 28-07-9900	4	
24	O-RINGNIPPLE	7860-07-7080	2	
25		7860-07-7090	4	
26	Q-COUPLER(M)	ALK 28-07-7200	4	
27	Q-COUPLER(F)	ALK 28-07-7100	4	
28	NIPPLE	TT75A-07-7010	1	
		TT75A-07-7020	1	
29	ELBOW NIPPLE	7860-07-7050	1	
30		ALK28-07-781B	1	
31	COVER	ALK 28-07-9200	4	
32	BOLT	BH0855125X	8	
33	SPRING WASHER	WS08M	8	
34	CONTROL VALVE	CV152	1	

# CYLINDER



# CYLINDER

NO.	PART NAME	PART NUMBER		Q'TY	REMARK
		BUCKET	BOOM		
1	ROD	AKU30-05-1020	5570C-05-2110	1	
2	PISTON	AKU30-05-1120	5570C-05-2120	1	
3	O-RING	1BP18	1BP21	1	
4	U-PACKING	ODI 55x40x10	ODI 65x55x9	2	
5	NUT	AKU30-05-1150	AL191-05-1150	1	
6	TUBE	AKU30-05-121C	5570C-05-2210	1	
7	COVER ROD	AKU30-05-1220	5570C-05-2220	1	
8	O-RING	1BG55	1BG65	1	
9	O-RING	1BP30	1BP40	1	
10	DU BUSH	AKU30-05-1250	5570C-05-2250	1	
11	U-PACKING	ISI 30x40x6	ISI 40x50x6	1	
12	BACK UP RING	BRT3 30x40x2	BRT3 40x50x2	1	
13	O-RING	1BP50	1BP55	1	
14	DUST SEAL	LBI 30x38x5/6.5	LBI 40x48x5/6.5	1	
	SEAL KIT (Include 3, 4, 8, 9, 11, 12, 13, 14)	SEAL 5530	SEAL6540		

# DECAL & MANUAL

