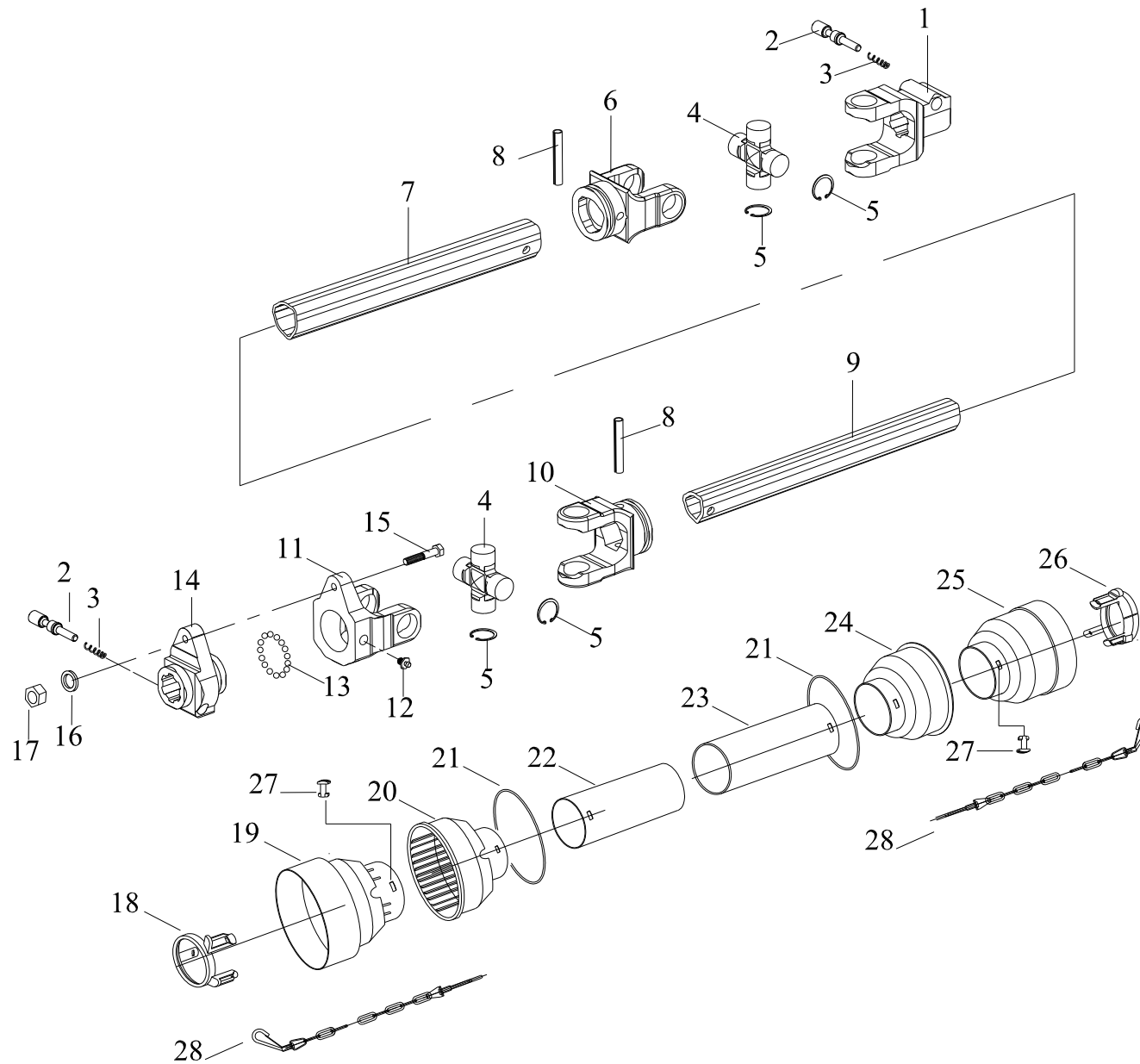




PTO SHAFT MODEL YP110, YP120

PART CATALOGUE



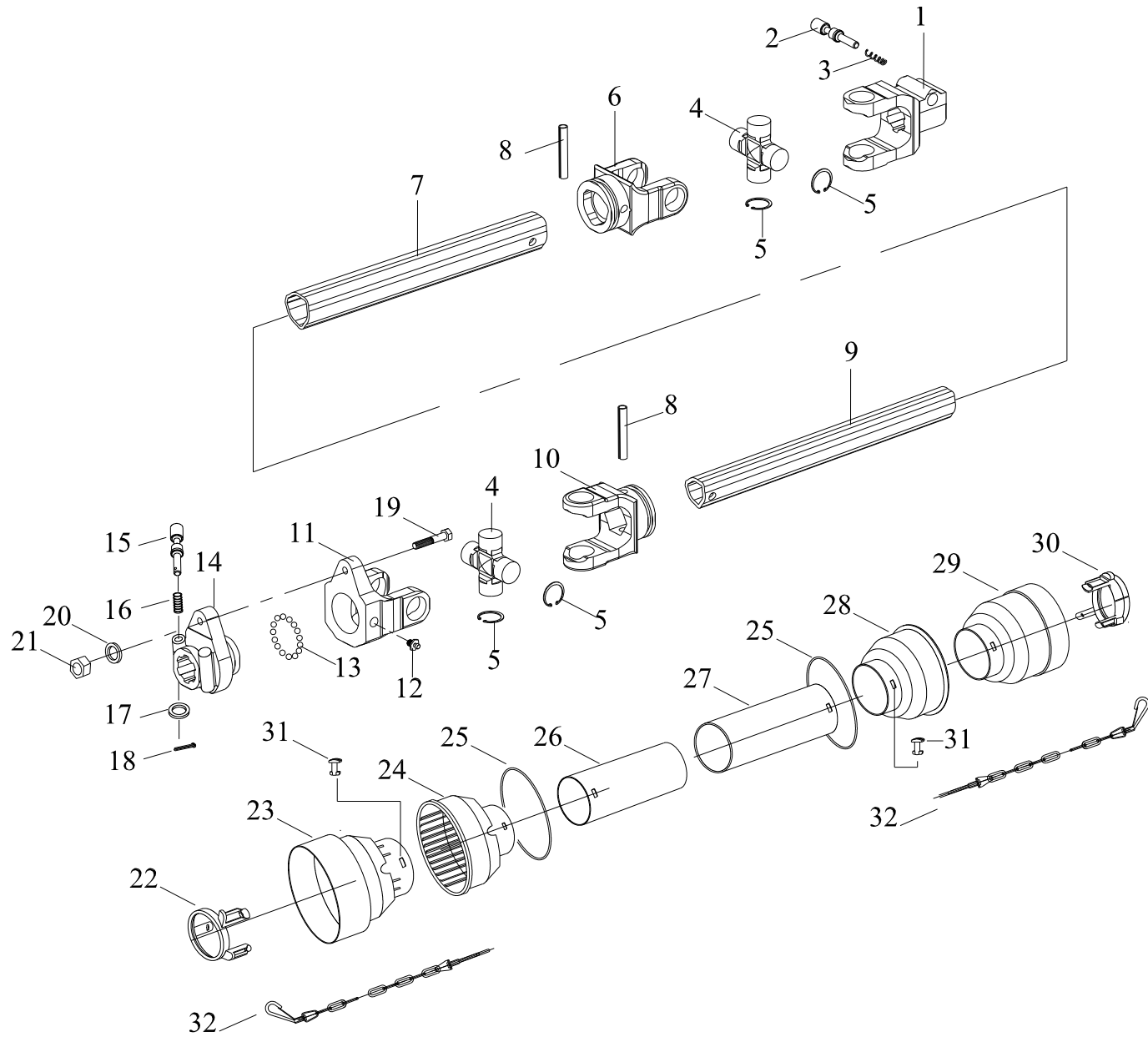
YP 110				PTO Shaft					
Revision 0				Revision 1					
Ref No	Part No	DESCRIPTION	MODEL		Ref. No.	Part No.	DESCRIPTION	MODEL	
			YP110						
1	P110-101010	PTO YOKE	1						
2	P110-101020	KNOCK PIN	2						
3	P110-101030	SPRING	2						
4	P110-102000	JOURNAL CROSS ASSY	2						
5	0800-200027	SNAP RING	8						
6	P110-103010	YOKE OUT	1						
7	P110-103020	TRIANGLE TUBE-OUT SHAFT	1						
8	0831-108065	SPRING PIN	2						
9	P110-104020	TRIANGLE TUBE-IN SHAFT	1						
10	P110-104010	YOKE IN	1						
11	P110-105010	CLUTCH YOKE	1						
12	P110-105020	BALL	24						
13	0231-108000	PLUG, GREASE	1						
14	P110-105030	SLEEVE YOKE	1						
15	P110-008055	SAFETY BOLT	1						
16	0931-008000	SPRING WASHER	1						
17	0421-008000	NUT	1						
18	P110-106010	SLIDING LING	1						
19	P110-106020	COVER A, IN	1						
20	P110-106030	COVER B, IN	1						
21	P110-106040	RING	2						
22	P110-106050	COVER C, IN	1						
23	P110-107010	COVER D, OUT	1						
24	P110-107020	COVER E, OUT	1						
25	P110-107030	COVER F, OUT	1						
26	P110-107040	RING	1						
27	P110-107050	RETAINING, CLIP	6						
28	P110-108000	SAFETY CHAIN	2						
Serial No	T640001 ~ , H640001 ~ T740001 ~ T740040				Serial No	SBT064, SBT064 H, Snow Blower			

YP 120

PTO Shaft

Year/Month

2015 / 1



YP 120				PTO Shaft					
Revision 0				Revision 1					
Ref No	Part No	DESCRIPTION	MODEL		Ref. No.	Part No.	DESCRIPTION	MODEL	
			YP120						
1	P120-101010	PTO YOKE	1						
2	P110-101020	KNOCK PIN	1						
3	P110-101030	SPRING	1						
4	P120-102000	JOURNAL CROSS ASSY	2						
5	0800-200030	SNAP RING	8						
6	P120-103010	YOKE OUT	1						
7	P120-103020	TRIANGLE TUBE-OUT SHAFT	1						
8	0831-110080	SPRING PIN	2						
9	P120-104020	TRIANGLE TUBE-IN SHAFT	1						
10	P120-104010	YOKE IN	1						
11	P120-105010	CLUTCH YOKE	1						
12	0231-108000	PLUG, GREASE	1						
13	P120-105020	BALL	24						
14	P120-105030	SLEEVE YOKE	1						
15	P120-105040	KNOCK PIN	1						
16	P120-105050	SPRING	1						
17	0930-008000	WASHER, PLAIN	1						
18	0832-103030	SPLIT PIN	1						
19	P120-010060	SAFETY BOLT	1						
20	0931-010000	SPRING WASHER	1						
21	0421-010000	NUT	1						
22	P120-106010	SLIDING LING	1						
23	P120-106020	COVER A, IN	1						
24	P120-106030	COVER B, IN	1						
25	P120-106040	RING	2						
26	P120-106050	COVER C, IN	1						
27	P120-107010	COVER D, OUT	1						
28	P120-107020	COVER E, OUT	1						
29	P120-107030	COVER F, OUT	1						
30	P120-107040	RING	1						
31	P110-107050	RETAINING, CLIP	6						
32	P110-108000	SAFETY CHAIN	2						
Serial No	T740041 ~ H740001 ~				Serial No	SBT074, SBT074 H, Snow Blower			