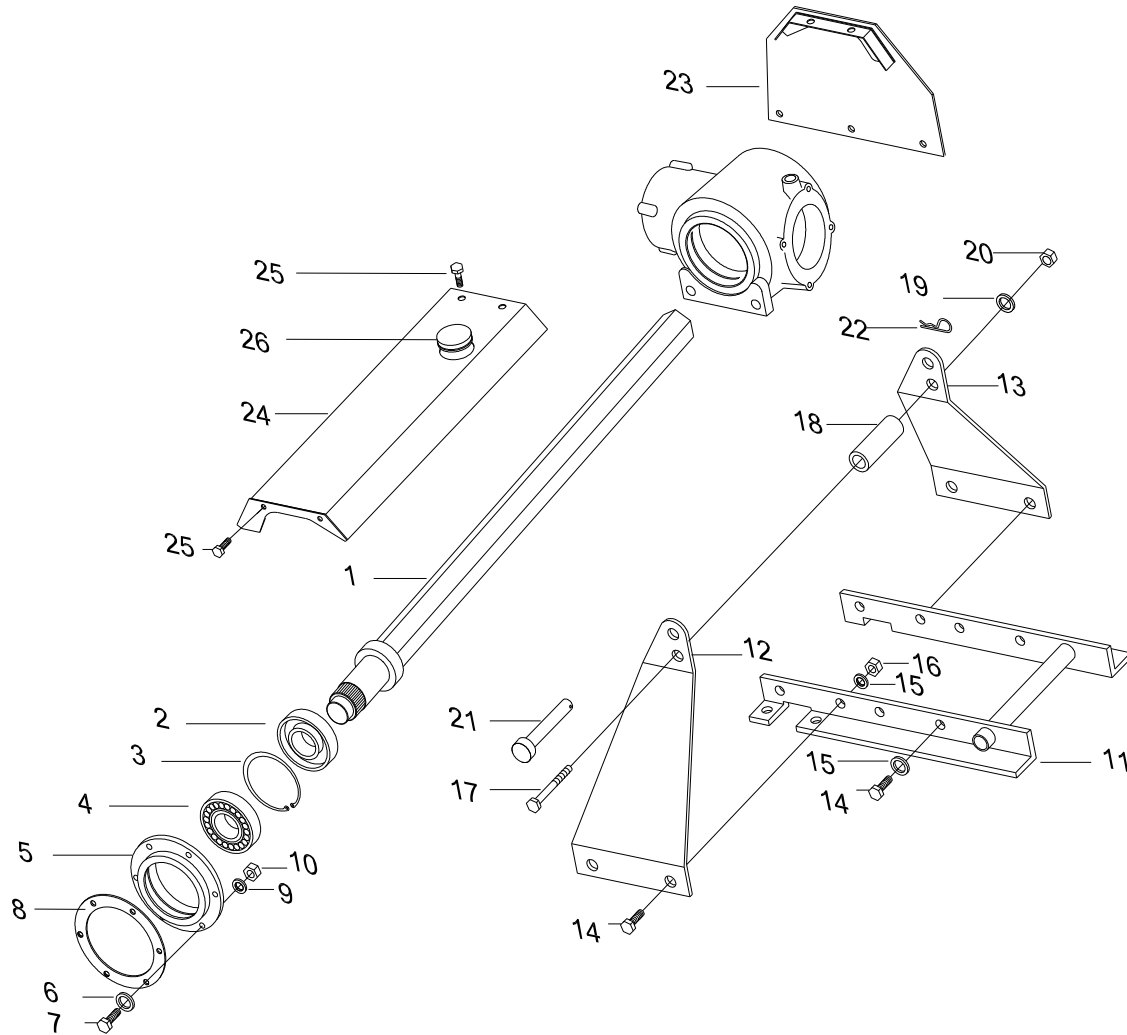




TILLER MODEL SR052/060

PART CATALOGUE



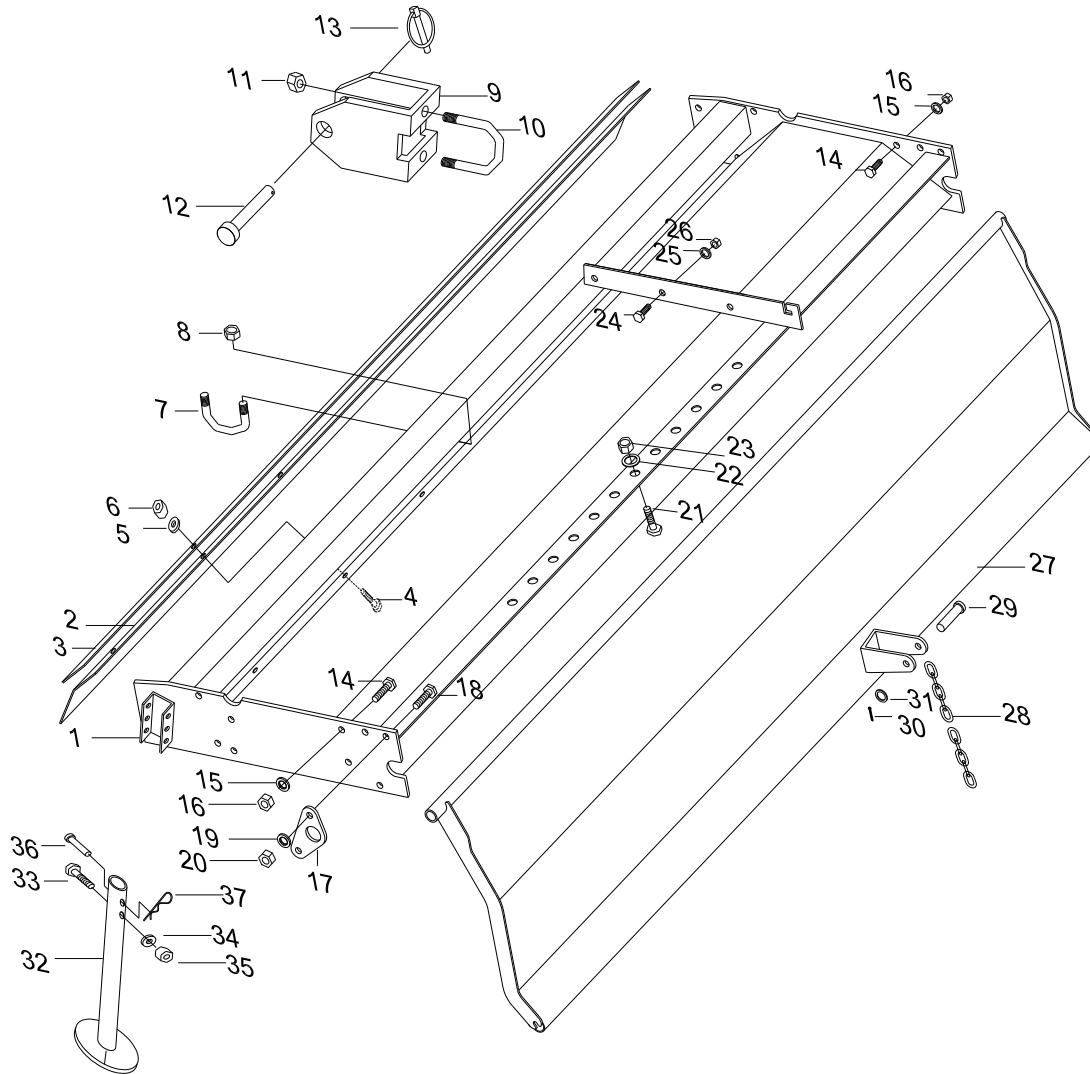
SR052 / SR060					FRAME GROUP														
Revision 0					Revision 1					Revision 2					Revision 3				
Ref No	Part No	DESCRIPTION	MODEL		Ref. No.	Part No.	DESCRIPTION	MODEL		Ref. No.	Part No.	DESCRIPTION	MODEL		Ref. No.	Part No.	DESCRIPTION	MODEL	
			SR052	SR060				SR052	SR060				SR052	SR060				SR052	SR060
1	S052-106000	Shaft, Driver	1		1	S052-106000	Shaft, Driver	1		1	S052-106000	Shaft, Driver	1		1	S052-106000	Shaft, Driver	1	
	S060-106000	Shaft, Driver		1		S060-106000	Shaft, Driver		1		S060-106000	Shaft, Driver		1		S060-106000	Shaft, Driver		1
2	0250-507208	Seal, Oil	2	2	2	0250-507208	Seal, Oil	2	2	2	0240-507208	Seal, Oil	2	2	2	0240-507208	Seal, Oil	2	2
3	0800-000072	Ring, Snap	1	1	3	0800-000072	Ring, Snap	1	1	3	0800-200072	Ring, Snap	1	1	3	0800-200072	Ring, Snap	1	1
4	0121-006207	Bearing, Ball	1	1	4	0121-006207	Bearing, Ball	1	1	4	0121-006207	Bearing, Ball	1	1	4	0121-006207	Bearing, Ball	1	1
5	1450-200021	Outside flange	1	1	5	1450-200021	Outside flange	1	1	5	1450-200021	Outside flange	1	1	5	1450-200021	Outside flange	1	1
6	0321-010030	Bolt	6	6	6	0321-010030	Bolt	8	8	6	0322-010030	Bolt	8	8	6	0322-010030	Bolt	8	8
7	0931-010000	Washer, Packing	6	6	7	0931-010000	Washer, Packing	8	8	7	0920-010000	Washer, Packing	8	8	7	0920-010000	Washer, Packing	8	8
8	1450-200020	Packing, Outside flange	1	1	8	1450-200020	Packing, Outside flange	1	1	8	1450-200020	Packing, Outside flange	1	1	8	1450-200020	Packing, Outside flange	1	1
					9	0931-010000	Washer, Spring	8	8	9	0931-010000	Washer, Spring	8	8	9	0931-010000	Washer, Spring	8	8
					10	0421-010000	Nut	8	8	10	0422-010000	Nut	8	8	10	0422-010000	Nut	8	8
9	S060-102000	Mission job	1	1	11	S060-102000	Mission job	1	1	11	S060-102000	Mission job	1	1	11	S060-102000	Mission job	1	1
10	S060-101010	Master L	1	1	12	S060-101010	Master L	1	1	12	S060-101010	Master L	1	1	12	S060-101010	Master L	1	1
11	S060-101020	Master R	1	1	13	S060-101020	Master R	1	1	13	S060-101020	Master R	1	1	13	S060-101020	Master R	1	1
12	0321-016040	Bolt	8	8	14	0321-016040	Bolt	8	8	14	0322-016040	Bolt	8	8	14	0322-016040	Bolt	8	8
13	0410-016000	Washer, Spring	8	8	15	0410-016000	Washer, Spring	8	8	15	0931-016000	Washer, Spring	8	8	15	0931-016000	Washer, Spring	8	8
14	0421-016000	Nut	4	4	16	0421-016000	Nut	4	4	16	0422-016000	Nut	4	4	16	0422-016000	Nut	4	4
15	0321-016100	Bolt	1	1	17	0321-016100	Bolt	1	1	17	0310-016100	Bolt	1	1	17	0310-016100	Bolt	1	1
16	S060-101030	Collar	1	1	18	S060-101030	Collar	1	1	18	S060-101030	Collar	1	1	18	S060-101030	Collar	1	1
17	0931-016000	Washer, Spring	1	1	19	0931-016000	Washer, Spring	1	1	19	0931-016000	Washer, Spring	1	1	19	0931-016000	Washer, Spring	1	1
18	0410-016001	Nut	1	1	20	0410-016001	Nut	1	1	20	0423-016000	Nut	1	1	20	0423-016000	Nut	1	1
19	1731-103000	Pin, Top Link	1	1	21	YJR145-301040	Pin, Top Link	1	1	21	YJR145-301040	Pin, Top Link	1	1	21	YJR145-301040	Pin, Top Link	1	1
20	1109-319000	Pin, R-Shape	1	1	22	1109-319000	Pin, R-Shape	1	1	22	0832-200050	Pin, R-Shape	1	1	22	0832-200050	Pin, R-Shape	1	1
21	S060-105000	Carrier	1	1	23	S060-105000	Carrier	1	1	23	S060-105000	Carrier	1	1	23	S060-105000	Carrier	1	1
22	S052-104000	Cover, Shaft Driver	1		24	S052-104000	Cover, Shaft Driver	1		24	S052-104000	Cover, Shaft Driver	1		24	S052-104000	Cover, Shaft Driver	1	
	S060-104000	Cover, Shaft Driver		1		S060-104000	Cover, Shaft Driver		1		S060-104000	Cover, Shaft Driver		1		S060-104000	Cover, Shaft Driver		1
23	0310-008020	Bolt w/washer	4	4	25	0310-008020	Bolt w/washer	4	4	25	0327-008020	Bolt w/washer	4	4	25	0327-008020	Bolt w/washer	4	4
24	1450-200052	Pubber cap	1	1	26	1450-200052	Pubber cap	1	1	26	1450-200052	Pubber cap	1	1	26	1450-200052	Rubber cap	1	1
Serial No	S520001 ~ S520024 S600001 ~ S600041				Serial No	S520025 ~ S520033 S600042 ~ S600047				Serial No	S520034 ~ S520056 S520001G ~ S520066G, S520001R ~ S520024R S600048 ~ S600087 S600001G ~ S600053G, S600001R ~ S600028R				Serial No	S520067G ~ S520025R ~ S600054G ~ S600029R ~			

SR052 / SR060

COVER GROUP

Year/Month

2014 / 12



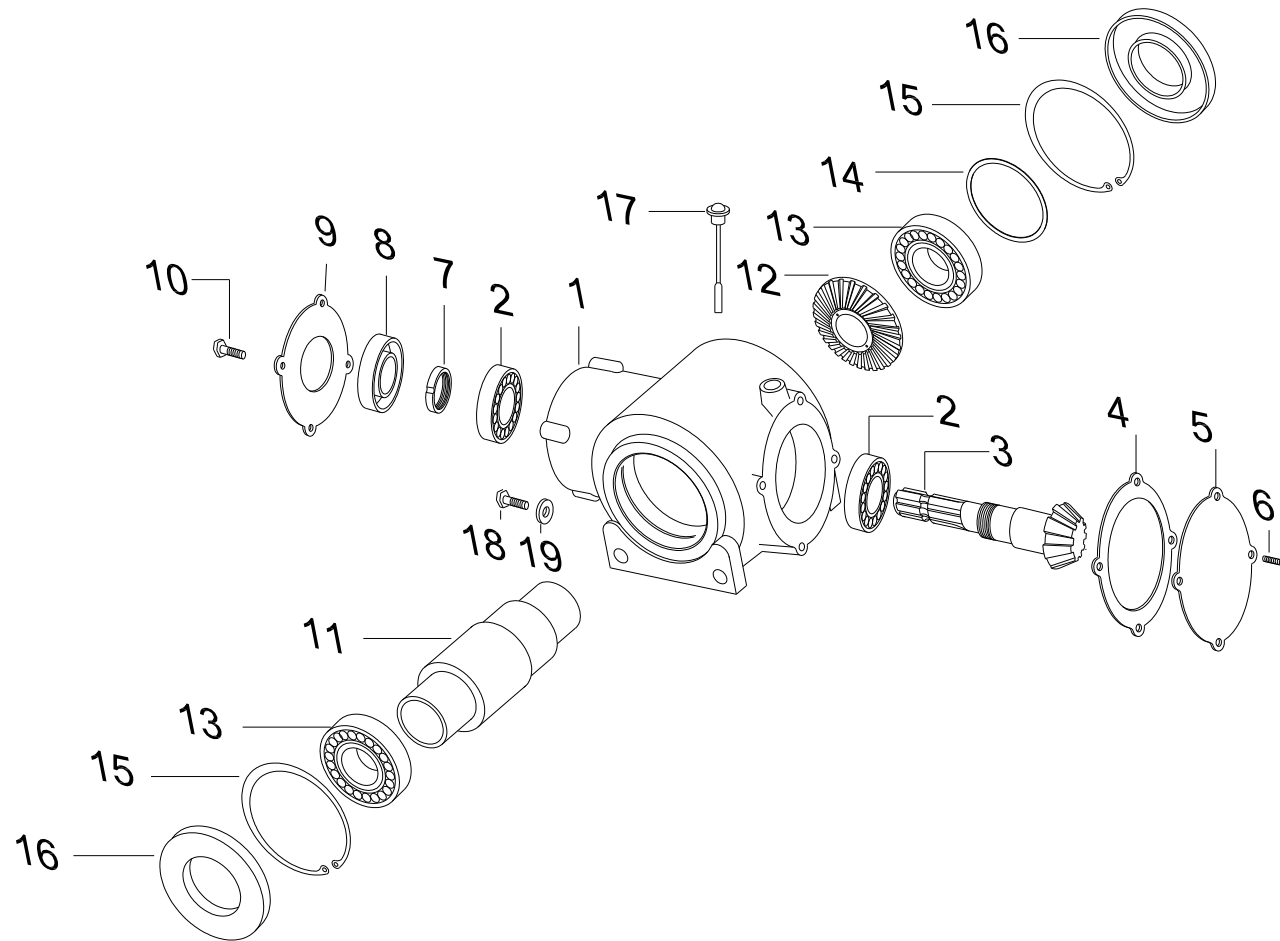
SR052 / SR060					COVER GROUP														
Revision 0					Revision 1					Revision 2					Revision 3				
Ref No	Part No	DESCRIPTION	Model		Ref. No.	Part No.	DESCRIPTION	Model		Ref. No.	Part No.	DESCRIPTION	Model		Ref. No.	Part No.	DESCRIPTION	Model	
			SR052	SR060				SR052	SR060				SR052	SR060				SR052	SR060
1	S052-201000	Cover, Tillage	1		1	S052-201000	Cover, Tillage	1		1	S052-201000	Cover, Tillage	1		1	S052-201000	Cover, Tillage	1	
	S060-201000	Cover, Tillage		1		S060-201000	Cover, Tillage		1		S060-201000	Cover, Tillage		1		S060-201000	Cover, Tillage		1
2	S052-202000	Cover, Front	1		2	S052-202000	Cover, Front	1		2	S052-202000	Cover, Front	1		2	S052-202000	Cover, Front	1	
	S060-202000	Cover, Front		1		S060-202000	Cover, Front		1		S060-202000	Cover, Front		1		S060-202000	Cover, Front		1
3	S050-202010	Plate, Press	1		3	S050-202010	Plate, Press	1		3	S052-202010	Plate, Press	1		3	S052-202010	Plate, Press	1	
	S060-202010	Plate, Press		1		S060-202010	Plate, Press		1		S060-202010	Plate, Press		1		S060-202010	Plate, Press		1
4	0310-010030	Bolt	6	6	4	0310-010030	Bolt	6	6	4	0322-010025	Bolt	6	6	4	0322-010025	Bolt	6	6
5	0931-010000	Washer, Spring	6	6	5	0931-010000	Washer, Spring	6	6	5	0931-010000	Washer, Spring	6	6	5	0931-010000	Washer, Spring	6	6
6	0421-010000	Nut	6	6	6	0421-010000	Nut	6	6	6	0422-010000	Nut	6	6	6	0422-010000	Nut	6	6
7	S060-103000	U Bolt	2	2	7	S060-103000	U Bolt	2	2	7	S060-103000	U Bolt	2	2	7	S060-103000	U Bolt	2	2
8	0421-012000	Nut	2	2	8	0421-012000	Nut	2	2	8	0420-012000	Nut	2	2	8	0420-012000	Nut	2	2
9	S060-601000	Arm, Link	2	2	9	S060-601000	Arm, Link	2	2	9	S060-601000	Arm, Link	2	2	9	S060-601000	Arm, Link	2	2
10	S060-103000	U Bolt	2	2	10	S060-103000	U Bolt	2	2	10	S060-103000	U Bolt	2	2	10	S060-103000	U Bolt	2	2
11	0421-012000	Nut	2	2	11	0421-012000	Nut	2	2	11	0420-012000	Nut	2	2	11	0420-012000	Nut	2	2
12	1750-600006	Pin, Lower Link	2	2	12	1750-600006	Pin, Lower Link	2	2	12	1750-600006	Pin, Lower Link	2	2	12	1750-600006	Pin, Lower Link	2	2
13	1461-306000	Pin, Ring	2	2	13	1461-306000	Pin, Ring	2	2	13	1461-306000	Pin, Ring	2	2	13	1461-306000	Pin, Ring	2	2
14	0310-010025	Bolt	6	6	14	0310-010025	Bolt	6	6	14	0322-010025	Bolt	6	6	14	0322-010025	Bolt	6	6
15	0931-010000	Washer, Spring	6	6	15	0931-010000	Washer, Spring	6	6	15	0931-010000	Washer, Spring	6	6	15	0931-010000	Washer, Spring	6	6
16	0421-010000	Nut	6	6	16	0421-010000	Nut	6	6	16	0422-010000	Nut	6	6	16	0422-010000	Nut	6	6
17	S060-203000	Bracket	2	2	17	S060-203000	Bracket	2	2	17	S060-203000	Bracket	2	2	17	S060-203000	Bracket	2	2
18	0310-010030	Bolt	4	4	18	0310-010030	Bolt	4	4	18	0322-010035	Bolt	4	4	18	0322-010035	Bolt	4	4
19	0931-010000	Washer, Spring	4	4	19	0931-010000	Washer, Spring	4	4	19	0931-010000	Washer, Spring	4	4	19	0931-010000	Washer, Spring	4	4
20	0421-010000	Nut	4	4	20	0421-010000	Nut	4	4	20	0422-010000	Nut	4	4	20	0422-010000	Nut	4	4
21	0310-012030	Bolt	2	2	21	0310-012030	Bolt	2	2	21	0310-012030	Bolt	2	2	21	0310-012030	Bolt	2	2
22	0931-012000	Washer, Spring	2	2	22	0931-012000	Washer, Spring	2	2	22	0931-012000	Washer, Spring	2	2	22	0931-012000	Washer, Spring	2	2
23	0421-012000	Nut	2	2	23	0421-012000	Nut	2	2	23	0423-012000	Nut	2	2	23	0423-012000	Nut	2	2
24	0310-010025	Bolt	3	3	24	0310-010025	Bolt	3	3	24	0322-010025	Bolt	3	3	24	0322-010025	Bolt	3	3
25	0931-010000	Washer, Spring	3	3	25	0931-010000	Washer, Spring	3	3	25	0931-010000	Washer, Spring	3	3	25	0931-010000	Washer, Spring	3	3
26	0421-010000	Nut	3	3	26	0421-010000	Nut	3	3	26	0422-010000	Nut	3	3	26	0422-010000	Nut	3	3
27	S052-301000	Plate, Balance	1		27	S052-301000	Plate, Balance	1		27	S052-301000	Plate, Balance	1		27	S052-301000	Plate, Balance	1	
	S060-301000	Plate, Balance		1		S060-301000	Plate, Balance		1		S060-301000	Plate, Balance		1		S060-301000	Plate, Balance		1
28	C060-302000	Chain	1	1	28	C060-302000	Chain	1	1	28	C060-302000	Chain	1	1	28	C060-302000	Chain	1	1
29	0851-012040	Pin	1	1	29	0851-012040	Pin	1	1	29	0851-010040	Pin	1	1	29	0851-010040	Pin	1	1
30	0832-103222	Pin, Split	1	1	30	0832-103222	Pin, Split	1	1	30	0832-103222	Pin, Split	1	1	30	0832-103222	Pin, Split	1	1
31	0930-013000	Washer, Plain	1	1	31	0930-013000	Washer, Plain	1	1	31	0930-011000	Washer	1	1	31	0930-011000	Washer	1	1
32	S060-204000	Stand	1	1	32	S060-204000	Stand	1	1	32	S060-204000	Stand	1	1	32	S060-204000	Stand	1	1
33	0310-010055	Bolt	1	1	33	0310-010055	Bolt	1	1	33	0322-010060	Bolt	1	1	33	0322-010060	Bolt	1	1
34	0931-010000	Washer, Spring	1	1	34	0931-010000	Washer, Spring	1	1	34	0931-010000	Washer, Spring	1	1	34	0931-010000	Washer, Spring	1	1
35	0410-010000	Nut	1	1	35	0410-010000	Nut	1	1	35	0422-010000	Nut	1	1	35	0422-010000	Nut	1	1
36	0851-010055	Pin	1	1	36	0851-010055	Pin	1	1	36	0851-010060	Pin	1	1	36	0851-010060	Pin	1	1
37	1109-020000	Pin-R Shape	1	1	37	1109-020000	Pin-R Shape	1	1	37	0832-200035	Pin-R Shape	1	1	37	0832-200035	Pin-R Shape	1	1
Serial No	S520001 ~ S520024 S600001 ~ S600041				Serial No	S520025 ~ S520033 S600042 ~ S600047				Serial No	S520034 ~ S520056 S520001G ~ S520066G, S520001R ~ S520024R S600048 ~ S600087 S600001G ~ S600053G, S600001R ~ S600028R				Serial No	S520067G ~ S520025R ~ S600054G ~ S600029R ~			

SR052 / SR060

TRANSMISSION GROUP

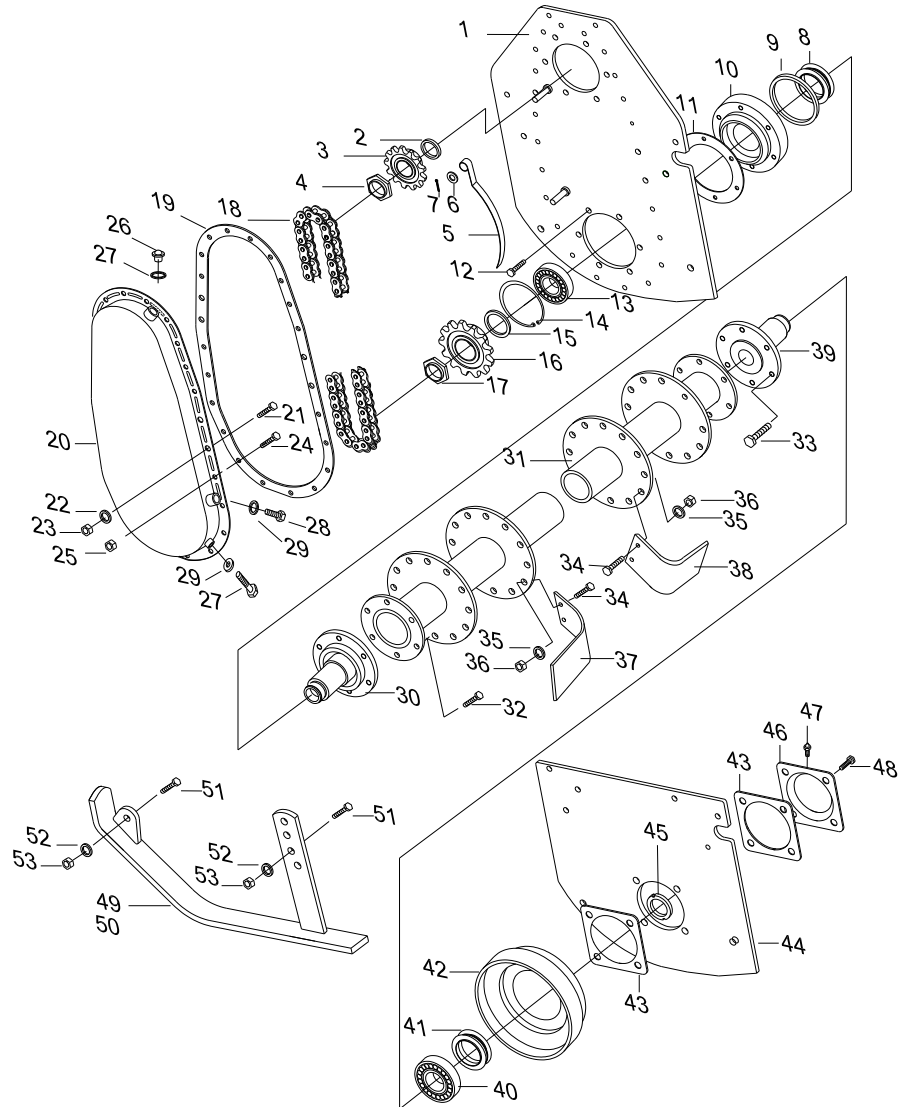
Year/Month

2014 / 12

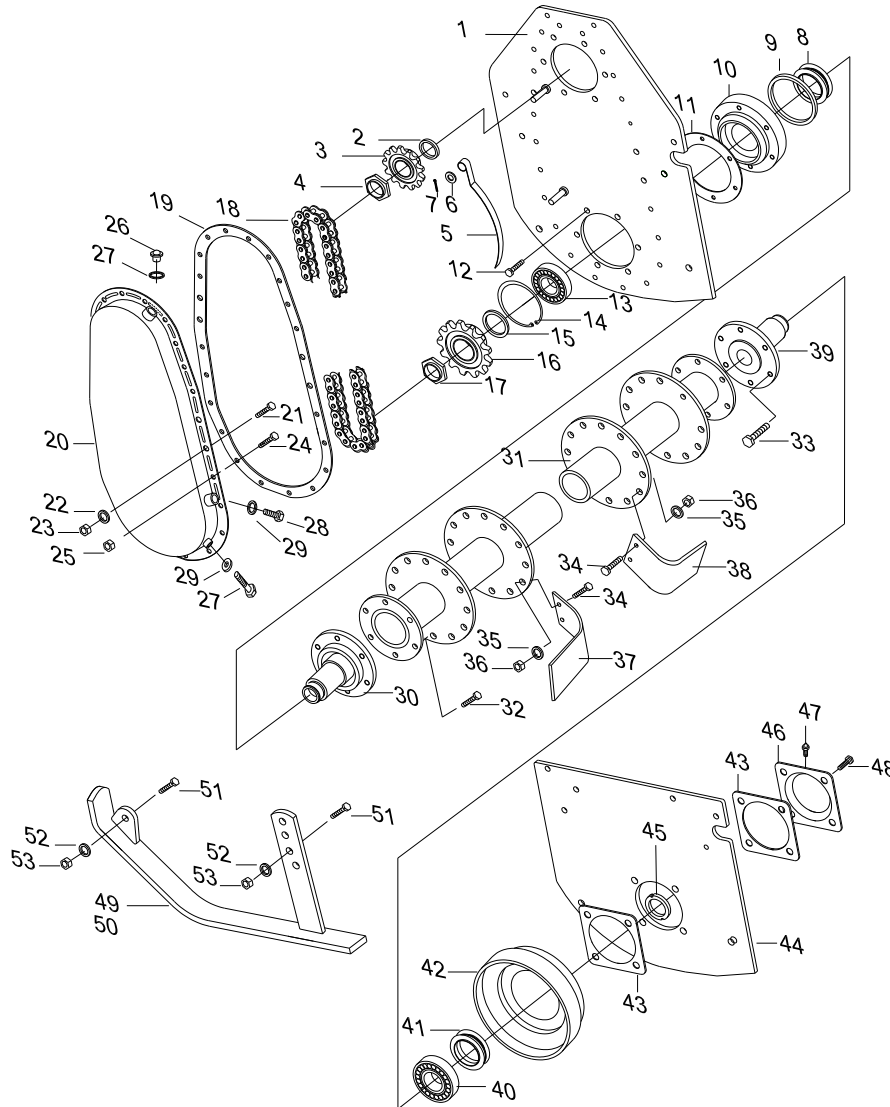


SR052 / SR060	TRANSMISSION GROUP
----------------------	---------------------------

Revision 0					Revision 1					Revision 2					Revision 3				
Ref No	Part No	DESCRIPTION	Model		Ref. No.	Part No.	DESCRIPTION	Model		Ref. No.	Part No.	DESCRIPTION	Model		Ref. No.	Part No.	DESCRIPTION	Model	
			SR052	SR060				SR052	SR060				SR052	SR060				SR052	SR060
1	1450-200001	Case, Mission	1	1	1	1450-200001	Case, Mission	1	1	1	1450-200001	Case, Mission	1	1	1	1450-200001	Case, Transmission	1	1
2	0120-030208	Bearing,Taper	2	2	2	0120-030208	Bearing,Taper	2	2	2	0120-030208	Bearing,Taper	2	2	2	0120-030208	Bearing,Taper	2	2
3	S060-107000	11T Gear Bevel	1	1	3	S060-107000	12T Gear Bevel	1	1	3	S060-107000	12T Gear Bevel	1	1	3	S060-107000	12T Gear Bevel	1	1
4	1450-200003	Cover, Inout Shaft Packin	1	1	4	1450-200003	Cover, Inout Shaft Packin	1	1	4	1450-200003	Cover, Inout Shaft Packin	1	1	4	1450-200003	Cover, Inout Shaft Packin	1	1
5	1450-200004	Cover, Inout Shaft	1	1	5	1450-200004	Cover, Inout Shaft	1	1	5	1450-200004	Cover, Inout Shaft	1	1	5	1450-200004	Cover, Inout Shaft	1	1
6	0310-008020	Bolt w/washer	4	4	6	0310-008020	Bolt w/washer	4	4	6	0327-008020	Bolt w/washer	4	4	6	0327-008020	Bolt w/washer	4	4
7	1650-300006	M39 Nut	1	1	7	1650-300006	M39 Nut	1	1	7	1650-300006	M39 Nut	1	1	7	1650-300006	M39 Nut	1	1
8	0250-358010	Seal, Oil	1	1	8	0250-358010	Seal, Oil	1	1	8	0240-358010	Seal, Oil	1	1	8	0240-358010	Seal, Oil	1	1
9	1450-200005	Cover, Inout Shaft	1	1	9	1450-200005	Cover, Inout Shaft	1	1	9	1450-200005	Cover, Inout Shaft	1	1	9	1450-200005	Cover, Inout Shaft	1	1
10	0310-008020	Bolt w/washer	4	4	10	0310-008020	Bolt w/washer	4	4	10	0327-008020	Bolt w/washer	4	4	10	0327-008020	Bolt w/washer	4	4
11	1450-200006	Feed Shaft	1	1	11	1450-200006	Feed Shaft	1	1	11	1450-200006	Feed Shaft	1	1	11	1450-200006	Feed Shaft	1	1
12	S060-108000	26T Gear Bevel	1	1	12	S060-108000	27T Gear Bevel	1	1	12	S060-108000	27T Gear Bevel	1	1	12	S060-108000	27T Gear Bevel	1	1
13	0120-006210	Bearing, Ball	2	2	13	0120-006210	Bearing, Ball	2	2	13	0121-006210	Bearing, Ball	2	2	13	0121-006210	Bearing, Ball	2	2
14	1450-200008	Shim	1	1	14	1450-200008	Shim	1	1	14	1450-200008	Shim	1	1	14	1450-200008	Shim	1	1
15	0800-000090	Ring, Snap	2	2	15	0800-000090	Ring, Snap	2	2	15	0800-200090	Ring, Snap	2	2	15	0800-200090	Ring, Snap	2	2
16	0250-509012	Seal, Oil	2	2	16	0250-509012	Seal, Oil	2	2	16	0240-509012	Seal, Oil	2	2	16	0240-509012	Seal, Oil	2	2
17	1331-106000	Gauge, Oil	1	1	17	1331-106000	Gauge, Oil	1	1	17	1501-106000	Gauge, Oil	1	1	17	1501-106000	Gauge, Oil	1	1
18	0321-010014	Bolt	1	1	18	0321-010014	Bolt	1	1	18	0321-010014	Bolt	1	1	18	0321-010014	Bolt	1	1
19	0920-010000	Washer, Packing	1	1	19	0920-010000	Washer, Packing	1	1	19	0920-010000	Washer, Packing	1	1	19	0920-010000	Washer, Packing	1	1
Serial No	S520001 ~ S520024 S600001 ~ S600041				Serial No	S520025 ~ S520033 S600042 ~ S600047				Serial No	S520034 ~ S520056 S520001G ~ S520066G, S520001R ~ S520024R S600048 ~ S600087 S600001G ~ S600053G, S600001R ~ S600028R				Serial No	S520067G ~ S520025R ~ S600054G ~ S600029R ~			



SR052 / SR060					SIDE GEAR GROUP 1														
Revision 0					Revision 1					Revision 2					Revision 3				
Ref No	Part No	DESCRIPTION	Model		Ref. No.	Part No.	DESCRIPTION	Model		Ref. No.	Part No.	DESCRIPTION	Model		Ref. No.	Part No.	DESCRIPTION	Model	
			SR052	SR060				SR052	SR060				SR052	SR060				SR052	SR060
1	S060-401000	Plate, Chain Case	1	1	1	S060-401000	Plate, Chain Case	1	1	1	S060-401000	Plate, Chain Case	1	1	1	S060-401000	Plate, Chain Case	1	1
2	1450-200014	Collar	1	1	2	1450-200014	Collar	1	1	2	1450-200014	Collar	1	1	2	1450-200014	Collar	1	1
3	1450-200012	11T Sprocket	1	1	3	1450-200012	11T Sprocket	1	1	3	1450-200012	11T Sprocket	1	1	3	1450-200012	11T Sprocket	1	1
4	1450-200013	M30 Nut	1	1	4	1450-200013	M30 Nut	1	1	4	0150-030000	M30 Nut	1	1	4	0150-030000	M30 Nut	1	1
5	1450-200019	Tension, Chain	1	1	5	1450-200019	Tension, Chain	1	1	5	1450-200019	Tension, Chain	1	1	5	C060-204000	Tension, Chain	1	1
6	0930-013000	Washer, Plain	1	1	6	0930-013000	Washer, Plain	1	1	6	0930-011000	Washer	1	1	6	0930-011000	Washer	1	1
7	0832-103222	Pin, Split	1	1	7	0832-103222	Pin, Split	1	1	7	0832-103222	Pin, Split	1	1	7	0832-103222	Pin, Split	1	1
8	0320-760053	Seal, Group	1	1	8	0320-760053	Seal, Group	1	1	8	0251-760053	Seal, Group	1	1	8	0251-760053	Seal, Group	1	1
9	0250-951213	Seal, Oil	1	1	9	0250-951213	Seal, Oil	1	1	9	0240-951213	Seal, Oil	1	1	9	0240-951213	Seal, Oil	1	1
10	1450-200026	Boss, Tillage	1	1	10	1450-200026	Boss, Tillage	1	1	10	1450-200026	Boss, Tillage	1	1	10	1450-200026	Boss, Tillage	1	1
11	1450-200033	Packing, Boss, Tillage	1	1	11	1450-200033	Packing, Boss, Tillage	1	1	11	1450-200033	Packing, Boss, Tillage	1	1	11	1450-200033	Packing, Boss, Tillage	1	1
12	0321-010030	Bolt w/washer	6	6	12	0321-010030	Bolt w/washer	6	6	12	0327-010030	Bolt w/washer	6	6	12	0327-010030	Bolt w/washer	6	6
13	0310-062090	Bearing, Ball	1	1	13	0310-062090	Bearing, Ball	1	1	13	0121-006209	Bearing, Ball	1	1	13	0121-006209	Bearing, Ball	1	1
14	0330-085000	Ring, Snap	1	1	14	0330-085000	Ring, Snap	1	1	14	0800-200085	Ring, Snap	1	1	14	0800-200085	Ring, Snap	1	1
15	1450-200015	Collar	1	1	15	1450-200015	Collar	1	1	15	1450-200015	Collar	1	1	15	1450-200015	Collar	1	1
16	1450-200016	16T Sprocket	1	1	16	1450-200016	16T Sprocket	1	1	16	1450-200016	16T Sprocket	1	1	16	1450-200016	16T Sprocket	1	1
17	1450-200017	M35 Nut	1	1	17	1450-200017	M35 Nut	1	1	17	0150-035000	M35 Nut	1	1	17	0150-035000	M35 Nut	1	1
18	S060-403000	Chain	1	1	18	S060-403000	Chain	1	1	18	C060-080000	Chain	1	1	18	C060-080000	Chain	1	1
19	1450-200011	Packing, Plate	1	1	19	1450-200011	Packing, Plate	1	1	19	1450-200010	Packing, Plate	1	1	19	1450-200010	Packing, Plate	1	1
20	1450-200009	Cover, Chain	1	1	20	C060-080000	Cover, Chain	1	1	20	1450-200009	Cover, Chain	1	1	20	1450-200009	Cover, Chain	1	1
21	0320-010030	Bolt	4	4	21	0320-010030	Bolt	4	4	21	0321-010025	Bolt	4	4	21	0321-010025	Bolt	4	4
22	0931-010000	Washer, Spring	4	4	22	0931-010000	Washer, Spring	4	4	22	0931-010000	Washer, Spring	4	4	22	0931-010000	Washer, Spring	4	4
23	0410-010001	Nut	4	4	23	0410-010001	Nut	4	4	23	0421-010000	Nut	4	4	23	0421-010000	Nut	4	4
24	0320-008020	Bolt	20	20	24	0320-008020	Bolt	20	20	24	0321-008020	Bolt	20	20	24	0321-008020	Bolt	20	20
25	0410-008000	Nut	20	20	25	0410-008000	Nut	20	20	25	0421-008000	Nut	20	20	25	0421-008000	Nut	20	20
26	1500-500030/1	Cap Filling	1	1	26	1500-500030/1	Cap Filling	1	1	26	2131-302000	Cap Filling	1	1	26	2131-302000	Cap Filling	1	1
										27	0920-020000	Washer, Packing	1	1	27	0920-020000	Washer, Packing	1	1
27	0321-010014	Bolt	2	2	27	0321-010014	Bolt	2	2	28	0321-010014	Bolt	2	2	28	0321-010014	Bolt	2	2
28	0931-012000	Washer, Spring	2	2	28	0931-012000	Washer, Spring	2	2										
Serial No	S520001 ~ S520024 S600001 ~ S600041				Serial No	S520025 ~ S520033 S600042 ~ S600047				Serial No	S520034 ~ S520056 S520001G ~ S520066G, S520001R ~ S520024R S600048 ~ S600087 S600001G ~ S600053G, S600001R ~ S600028R				Serial No	S520067G ~ S520025R ~ S600054G ~ S600029R ~			



SR052 / SR060					SIDE GEAR GROUP 2														
Revision 0					Revision 1					Revision 2					Revision 3				
Ref No	Part No	DESCRIPTION	Model		Ref.No.	Part No.	DESCRIPTION	Model		Ref.No.	Part No.	DESCRIPTION	Model		Ref.No.	Part No.	DESCRIPTION	Model	
			SR052	SR060				SR052	SR060				SR052	SR060				SR052	SR060
28	1450-200025	Shaft, Spline	1	1	29	1450-200025	Shaft, Spline	1	1	30	1450-200025	Shaft, Spline	1	1	30	1450-200025	Shaft, Spline	1	1
29	S052-501000	Shaft, Tillage	1		30	S052-501000	Shaft, Tillage	1		31	S052-501000	Shaft, Tillage	1		31	S052-501000	Shaft, Tillage	1	
	S060-501000	Shaft, Tillage		1		S060-501000	Shaft, Tillage		1		S060-501000	Shaft, Tillage		1		S060-501000	Shaft, Tillage		1
30	0321-010022	Bolt w/washer	6	6	31	0321-010022	Bolt w/washer	6	6	32	0327-012025	Bolt w/washer	6	6	32	0327-012025	Bolt w/washer	6	6
31	0321-010025	Bolt w/washer	6	6	32	0321-010025	Bolt w/washer	6	6	33	0327-012025	Bolt w/washer	6	6	33	0327-012025	Bolt w/washer	6	6
32	0321-012035	Bolt	60	72	33	0321-012035	Bolt	60	72	34	0321-012035	Bolt	60	72	34	0321-012035	Bolt	60	72
33	0931-012000	Washer, Spring	60	72	34	0931-012000	Washer, Spring	60	72	35	0931-012000	Washer, Spring	60	72	35	0931-012000	Washer, Spring	60	72
34	0410-012000	Nut	60	72	35	0410-012000	Nut	60	72	36	0421-012000	Nut	60	72	36	0421-012000	Nut	60	72
35	1450-200029	Blade, LH	15	18	36	1450-200029	Blade, LH	15	18	37	1450-200029	Blade, LH	15	18	37	1450-200029	Blade, LH	15	18
36	1450-200030	Blade, RH	15	18	37	1450-200030	Blade, RH	15	18	38	1450-200030	Blade, RH	15	18	38	1450-200030	Blade, RH	15	18
37	1450-200031	Shaft, RH	1	1	38	1450-200031	Shaft, RH	1	1	39	1450-200031	Shaft, RH	1	1	39	1450-200031	Shaft, RH	1	1
38	0310-062070	Bearing, Ball	1	1	39	0310-062070	Bearing, Ball	1	1	40	0121-006207	Bearing, Ball	1	1	40	0121-006207	Bearing, Ball	1	1
39	0320-760042	Seal, Group	1	1	40	0320-760042	Seal, Group	1	1	41	0251-760042	Seal, Group	1	1	41	0251-760042	Seal, Group	1	1
40	1450-200032	Boss, Tillage	1	1	41	1450-200032	Boss, Tillage	1	1	42	1450-200032	Boss, Tillage	1	1	42	1450-200032	Boss, Tillage	1	1
41	1450-200033-1	Packing	2	2	42	1450-200033-1	Packing	2	2	43	1450-200033-1	Packing	2	2	43	1450-200033-1	Packing	2	2
42	S060-402000	Bracket	1	1	43	S060-402000	Bracket	1	1	44	S060-402000	Bracket	1	1	44	S060-402000	Bracket	1	1
43	1450-200013	M30 Nut	1	1	44	1450-200013	M30 Nut	1	1	45	0150-030000	M30 Nut	1	1	45	0150-030000	M30 Nut	1	1
44	1450-200034	Cover, Bearing	1	1	45	1450-200034	Cover, Bearing	1	1	46	1450-200034	Cover, Bearing	1	1	46	1450-200034	Cover, Bearing	1	1
45	0231-080001	plug, grease	1	1	46	0231-080001	plug, grease	1	1	47	0231-080001	plug, grease	1	1	47	0231-080001	plug, grease	1	1
46	0321-010030	Bolt w/washer	4	4	47	0321-010030	Bolt w/washer	4	4	48	0327-010030	Bolt w/washer	4	4	48	0327-010030	Bolt w/washer	4	4
47	Y1607-120	Skid LH	1	1	48	Y1607-120	Skid LH	1	1	49	Y1607-120	Skid LH	1	1	49	Y1607-120	Skid LH	1	1
48	Y1607-130	Skid RH	1	1	49	Y1607-130	Skid RH	1	1	50	Y1607-130	Skid RH	1	1	50	Y1607-130	Skid RH	1	1
49	0310-012035	Bolt	4	4	50	0310-012035	Bolt	4	4	51	0310-012035	Bolt	4	4	51	0310-012035	Bolt	4	4
50	0931-012000	Washer, Spring	4	4	51	0931-012000	Washer, Spring	4	4	52	0931-012000	Washer, Spring	4	4	52	0931-012000	Washer, Spring	4	4
51	0410-012000	Nut	4	4	52	0410-012000	Nut	4	4	53	0423-012000	Nut	4	4	53	0423-012000	Nut	4	4
Serial No	S520001 ~ S520024 S600001 ~ S600041				Serial No	S520025 ~ S520033 S600042 ~ S600047				Serial No	S520034 ~ S520056 S520001G ~ S520066G, S520001R ~ S520024R S600048 ~ S600087 S600001G ~ S600053G, S600001R ~ S600028R				Serial No	S520067G ~ S520025R ~ S600054G ~ S600029R ~			