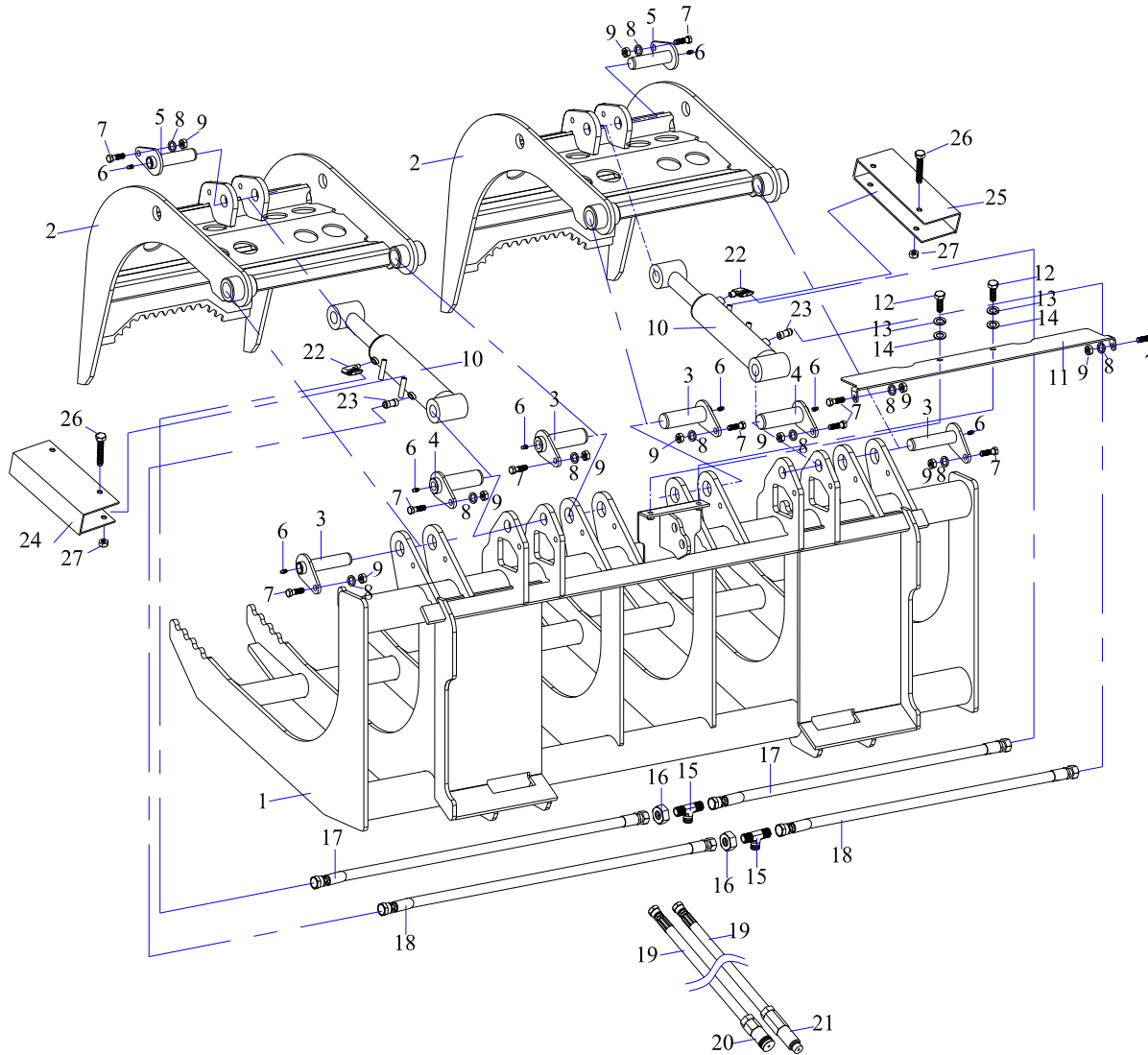




COMPACT ROOT GRAPPLE MODEL YCG060/066/072

PART CATALOGUE



YCG 060/066/072

Compact Root Grapple

Revision 0						Revision 1					
Ref No	Part No	DESCRIPTION	MODEL			Ref. No.	Part No.	DESCRIPTION	MODEL		
			YCG060	YCG066	YCG072				YCG060	YCG066	YCG072
1	CG60-100000	FRAME A	1			1	CG60-100001	FRAME A	1		
	CG66-100000	FRAME A		1			CG66-100001	FRAME A		1	
	CG72-100000	FRAME A			1		CG72-100001	FRAME A			1
2	CG60-200000	FRAME B	1	1	1	2	CG60-200000	FRAME B	2	2	2
3	CG60-403000	MAIN PIVOT PIN	4	4	4	3	CG60-403000	MAIN PIVOT PIN	4	4	4
4	CG60-401000	CYLINDER PIN 1	2	2	2	4	CG60-401000	CYLINDER PIN 1	2	2	2
5	CG60-402000	CYLINDER PIN 2	2	2	2	5	CG60-402000	CYLINDER PIN 2	2	2	2
6	0340-060000	GREASE NIPPLE	10	10	10	6	0340-060000	GREASE NIPPLE	10	10	10
7	0322-010030	BOLT	10	10	10	7	0322-010030	BOLT	10	10	10
8	0931-010000	WASHER, SPRING	10	10	10	8	0931-010000	WASHER, SPRING	10	10	10
9	0422-010000	NUT	8	8	8	9	0422-010000	NUT	8	8	8
10	CG60-301000	CYLINDER	2	2	2	10	CG60-301001	CYLINDER	2	2	2
11	CG60-103000	SAFETY COVER	1			11	CG60-103000	SAFETY COVER	1		
	CG66-103000	SAFETY COVER		1			CG66-103000	SAFETY COVER		1	
	CG72-103000	SAFETY COVER			1		CG72-103000	SAFETY COVER			1
12	0322-010025	BOLT	2	2	2	12	0322-010025	BOLT	2	2	2
13	0931-010000	WASHER, SPRING	2	2	2	13	0931-010000	WASHER, SPRING	2	2	2
14	0930-010000	WASHER, PLAIN	2	2	2	14	0930-010000	WASHER, PLAIN	2	2	2
15	UT010-340000	UNION TEE	2	2	2	15	UT010-340000	UNION TEE	2	2	2
16	0150-003400	NUT	2	2	2	16	0150-003400	NUT	2	2	2
17	CG60-303000	HOSE A, CYLINDER	2			17	CG60-303001	HOSE A, CYLINDER	2		
	CG66-303000	HOSE A, CYLINDER		2			CG66-303001	HOSE A, CYLINDER		2	
	CG72-303000	HOSE A, CYLINDER			2		CG72-303001	HOSE A, CYLINDER			2
18	CG60-304000	HOSE B, CYLINDER	2			18	CG60-304001	HOSE B, CYLINDER	2		
	CG66-304000	HOSE B, CYLINDER		2			CG66-304001	HOSE B, CYLINDER		2	
	CG72-304000	HOSE B, CYLINDER			2		CG72-304001	HOSE B, CYLINDER			2
19	CG60-302000	HOSE, MAIN	2	2	2	19	CG60-302000	HOSE, MAIN	2	2	2
20	CA10-120000	QUICK DISSCONNECT COUPLING, FEMALE	1	1	1	20	CA10-120000	QUICK DISSCONNECT COUPLING, FEMALE	1	1	1
21	CA20-120000	QUICK DISSCONNECT COUPLING, MALE	1	1	1	21	CA20-120000	QUICK DISSCONNECT COUPLING, MALE	1	1	1
					4	22	U010-140000	ADAPTER	2	2	2
					4	23	U010-140916	ADAPTER	2	2	2
					1	24	CG60-309000	CYLINDER COVER, LH	1	1	1
					4	25	CG60-310000	CYLINDER COVER, RH	1	1	1
					4	26	0321-008065	BOLT	4	4	4
					4	27	0420-008000	FLANGE NUT	4	4	4
Serial No	G600001 ~ G600105. G660001 ~ G660113					Serial No	G600106 ~ , G660114 ~ G720163 ~				