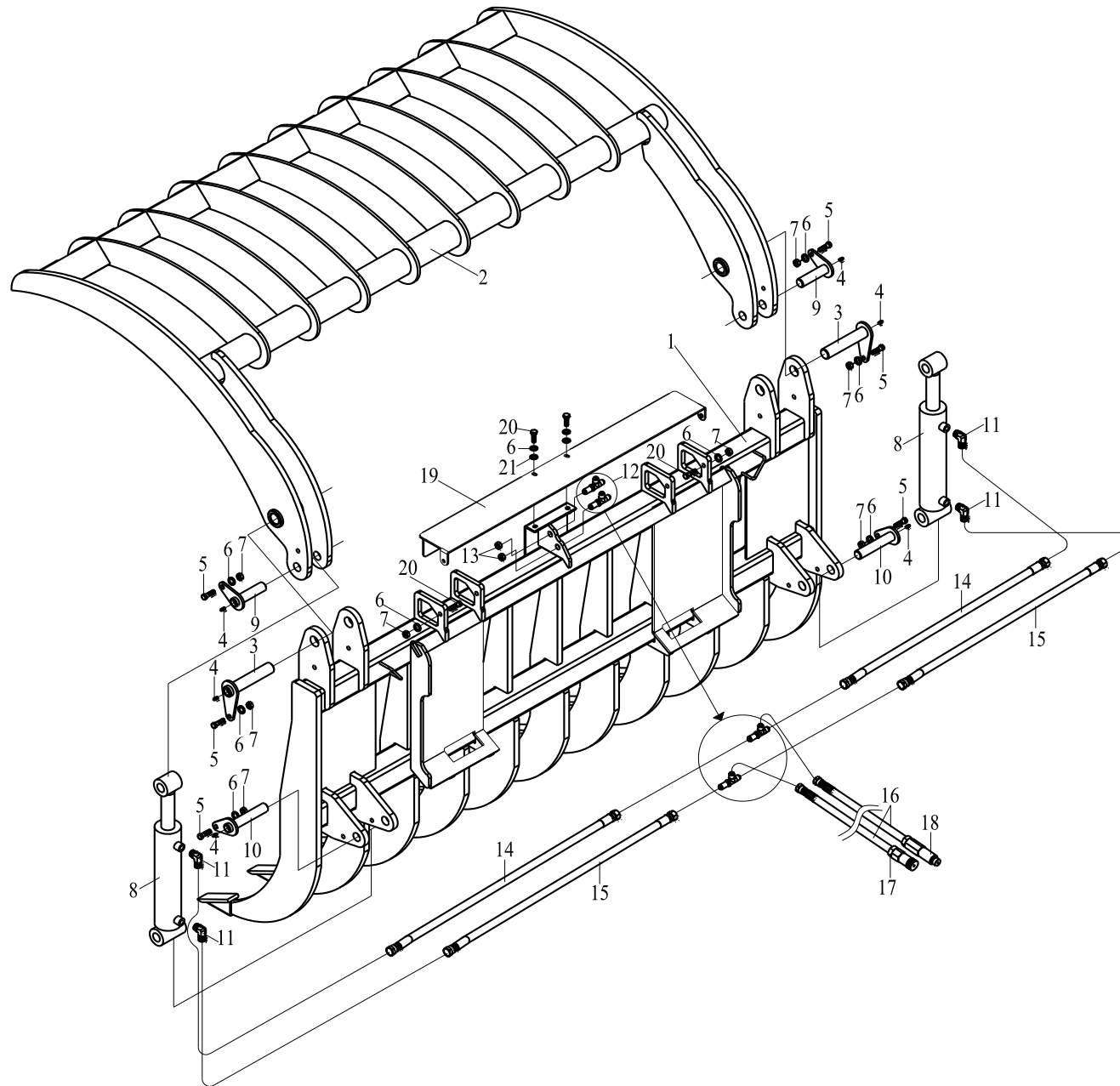




RAKE GRAPPLE MODEL YRK 066/072

PART CATALOGUE



YRK 066/072				Rake Grapple					
Revision 0				Revision 1					
Ref No	Part No	DESCRIPTION	MODEL		Ref. No.	Part No.	DESCRIPTION	MODEL	
			YRK066	YRK072					
1	RK66-101000	FRAME-A	1						
	RK72-101000			1					
2	RK66-102000	FRAME-B	1						
	RK72-102000			1					
3	RK72-403000	MAIN PIN	2	2					
4	0340-060000	GREASE NIPPLE	6	6					
5	0322-010035	BOLT	6	6					
6	0931-010000	WASHER, SPRING	10	10					
7	0422-010000	NUT	8	8					
8	RK72-201000	CYLINDER	2	2					
9	RK72-402000	CYLINDER PIN 2	2	2					
10	RK72-401000	CYLINDER PIN 1	2	2					
11	U010-140000	ADAPTER (PT1/4)	4	4					
12	UT010-340000	UNION TEE	2	2					
13	0150-003400	NUT	2	2					
14	RK66-303000	HOSE A, CYLINDER	2						
	RK72-303000			2					
15	RK66-304000	HOSE B, CYLINDER	2						
	RK72-304000			2					
16	RK72-302000	HOSE, MAIN	2	2					
17	CA10-120000	QUICK DISSCONNECT COUPLING, FEMALE	1	1					
18	CA20-120000	QUICK DISSCONNECT COUPLING, MALE	1	1					
19	RK66-103000	SAFETY COVER	1						
	RK72-103000			1					
20	0322-010030	BOLT	4	4					
21	0930-010000	WASHER, PLAIN	2	2					
Serial No					Serial No				