



TILLER MODEL YJC052

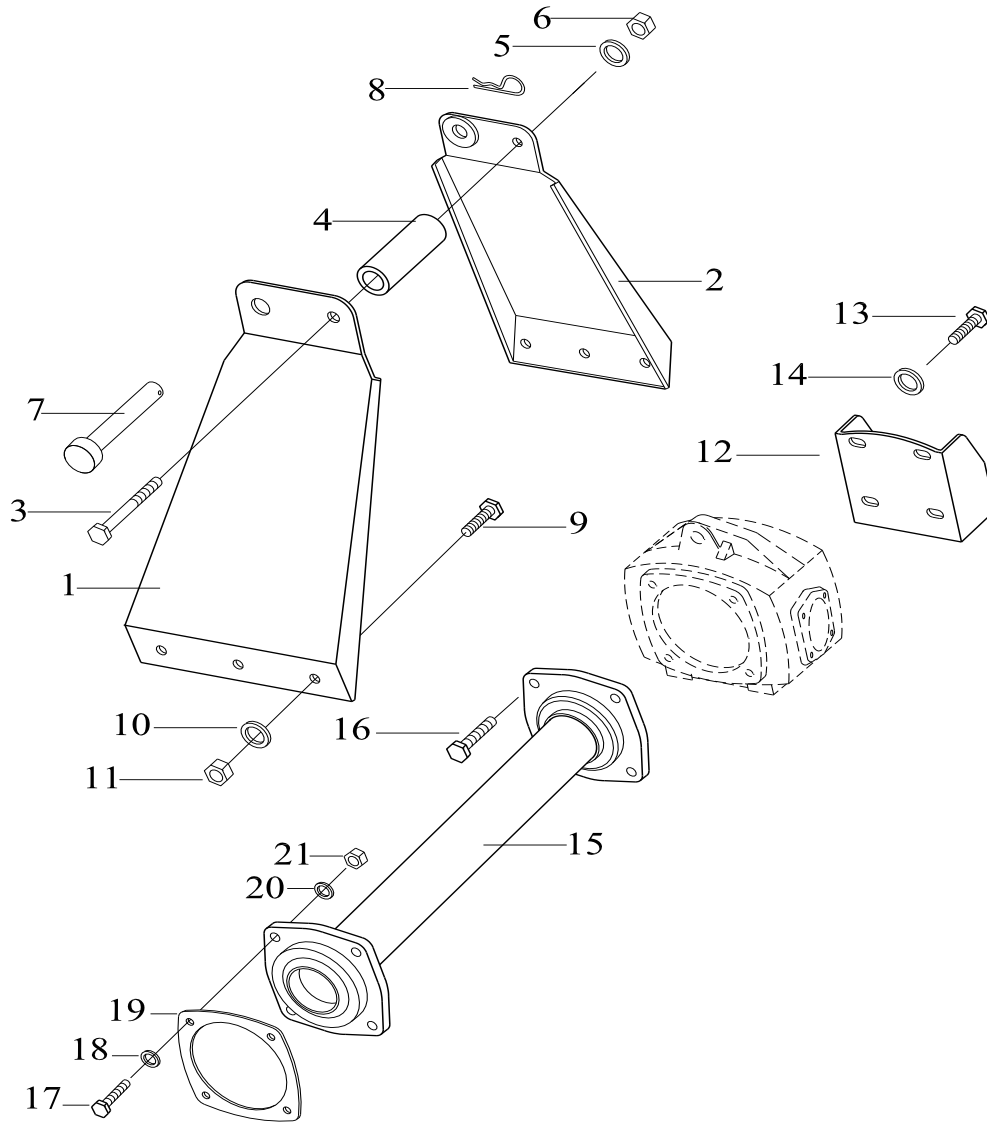
PART CATALOGUE

YJC052

FRAME GROUP

Year/Month

2014 / 12



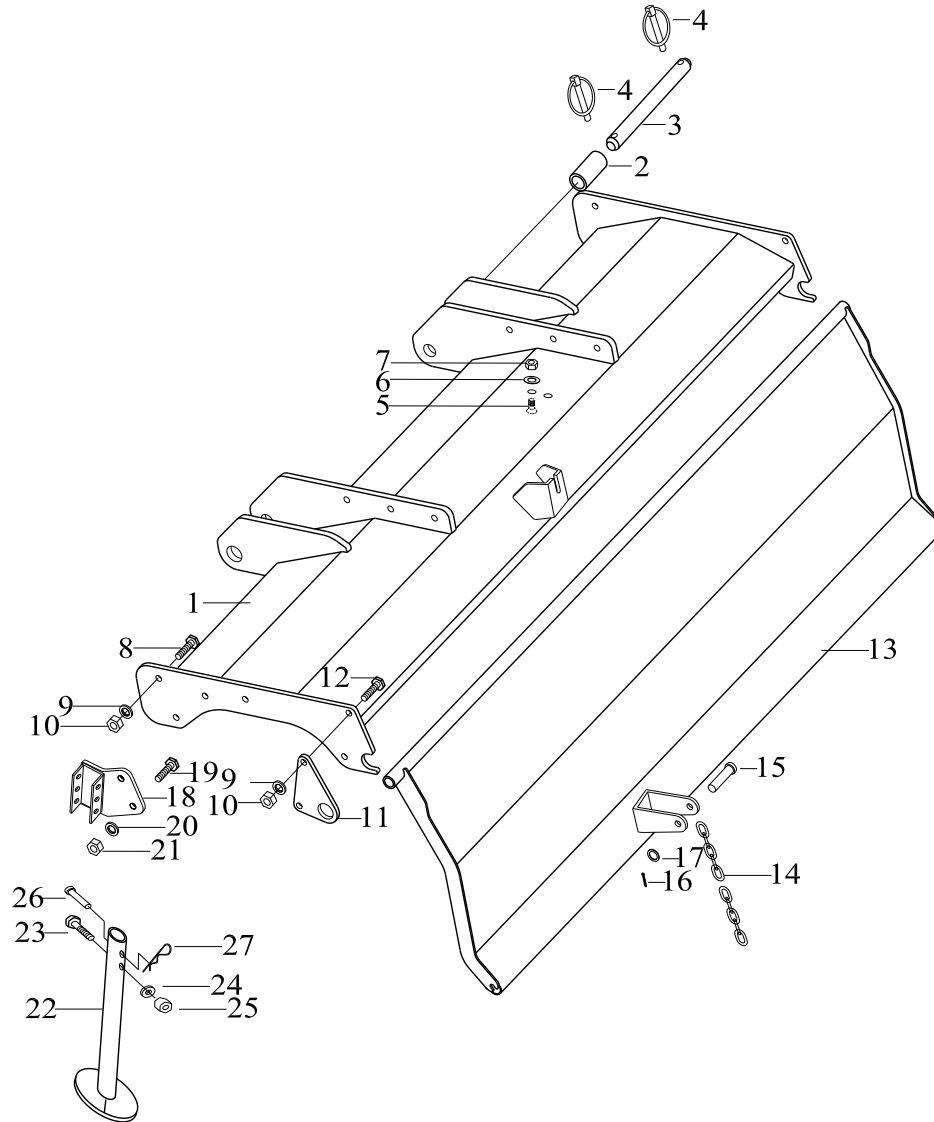
YJC052				FRAME GROUP											
Revision 0				Revision 1				Revision 2				Revision 3			
Ref No	Part No	DESCRIPTION	MODEL YJC052	Ref. No.	Part No.	DESCRIPTION	MODEL YJC052	Ref. No.	Part No.	DESCRIPTION	MODEL YJC052	Ref. No.	Part No.	DESCRIPTION	MODEL YJC052
1	YJR145-301010	Plate, Master LH	1	1	YJR145-301010	Plate, Master LH	1	1	YJR145-301010	Plate, Master LH	1	1	YJR145-301000	Plate, Master LH	1
2	YJR145-301020	Plate, Master RH	1	2	YJR145-301020	Plate, Master RH	1	2	YJR145-301020	Plate, Master RH	1	2	YJR145-302000	Plate, Master RH	1
3	0310-012075	Bolt	1	3	0310-012075	Bolt	1	3	0310-012075	Bolt	1	3	0310-012075	Bolt	1
4	YJR145-301050	Collar	1	4	YJR145-301050	Collar	1	4	YJR145-301050	Collar	1	4	YJR145-301050	Collar	1
5	0410-012000	Washer, Spring	1	5	0410-012000	Washer, Spring	1	5	0410-012000	Washer, Spring	1	5	0931-012000	Washer, Spring	1
6	0931-012000	Nut	1	6	0931-012000	Nut	1	6	0931-012000	Nut	1	6	0423-012000	Nut	1
7	YJR145-301040	Pin, Top Link	1	7	YJR145-301040	Pin, Top Link	1	7	YJR145-301040	Pin, Top Link	1	7	YJR145-301040	Pin, Top Link	1
8	1109-319000	Pin, R-Shape	1	8	1109-319000	Pin, R-Shape	1	8	1109-319000	Pin, R-Shape	1	8	0832-200050	Pin, R-Shape	1
9	0321-010030	Bolt	6	9	0321-010030	Bolt	6	9	0321-010030	Bolt	6	9	0322-010030	Bolt	6
10	0931-010000	Washer, Spring	6	10	0931-010000	Washer, Spring	6	10	0931-010000	Washer, Spring	6	10	0931-010000	Washer, Spring	6
11	0410-010001	Nut	6	11	0410-010001	Nut	6	11	0410-010001	Nut	6	11	0422-010000	Nut	6
12	YJR145-303000	Bracket, Mission	1	12	YJR145-303000	Bracket, Mission	1	12	YJR145-303000	Bracket, Mission	1	12	YJR145-303000	Bracket, Mission	1
13	0310-012025	Bolt w/washer	4	13	0310-012025	Bolt w/washer	4	13	0310-012030	Bolt w/washer	4	13	0327-012030	Bolt w/washer	4
14	0930-012000	Washer	4	14	0930-012000	Washer	4	14	0930-012000	Washer	4	14	0930-012000	Washer	4
15	YJR145-201000	Pipe, Frame	1	15	YJR145-201000	Pipe, Frame	1	15	YJR145-201000	Pipe, Frame	1	15	YJR145-201000	Pipe, Frame	1
16	0310-010025	Bolt w/washer	8	16	0310-010025	Bolt w/washer	8	16	0310-010025	Bolt w/washer	8	16	0327-010025	Bolt w/washer	4
												17	0322-010030	Bolt	4
												18	0920-010000	Washer, Packing	4
17	YJR145-201030	Packing	1	17	YJR145-201030	Packing	1	17	YJR145-201030	Packing	1	19	YJR145-201030	Packing	1
								18	0931-010000	Washer, Packing	4	20	0931-010000	Washer, Spring	4
								19	0931-012000	Nut	4	21	0422-010000	Nut	4
Serial No	Y500001 ~ Y500051			Serial No	C520001 ~ C520102			Serial No	C520103 ~ C520180			Serial No	C520181 ~ C520180 C520001G ~ C520001R ~		

YJC052

COVER GROUP

Year/Month

2014 / 12



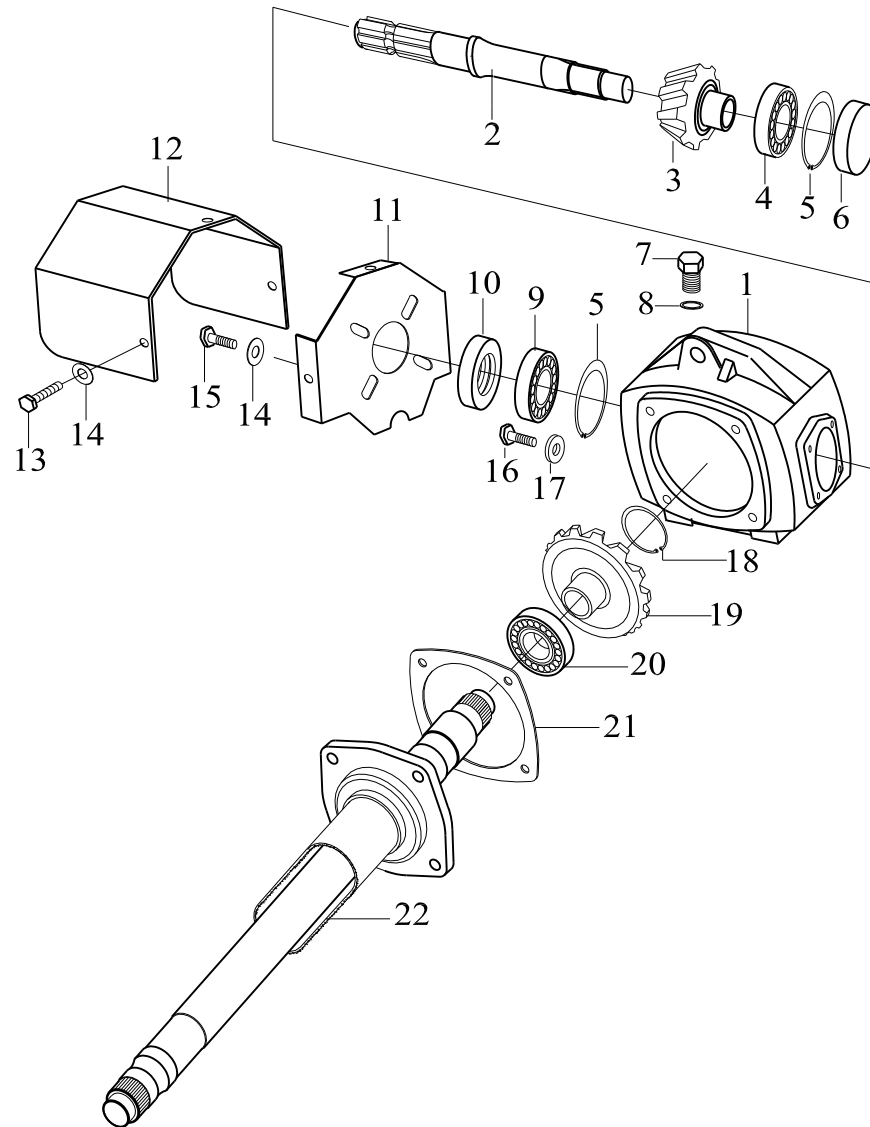
YJC052				COVER GROUP											
Revision 0				Revision 1				Revision 2				Revision 3			
Ref No	Part No	DESCRIPTION	Model YJC052	Ref. No.	Part No.	DESCRIPTION	Model YJC052	Ref. No.	Part No.	DESCRIPTION	Model YJC052	Ref. No.	Part No.	DESCRIPTION	Model YJC052
1	YJR145-204000	Cover,Tillage	1	1	C050-204000	Cover,Tillage	1	1	C050-204000	Cover,Tillage	1	1	C050-204000	Cover,Tillage	1
2	YJR145-204090	Pin Collar, Ring	2	2	YJR145-204090	Collar, Link Pin	2	2	YJR145-204090	Collar, Link Pin	2	2	YJR145-204090	Collar, Link Pin	2
3	YJR145-204080	Pin, Ring	2	3	YJR145-204080	Pin, Link	2	3	YJR145-204080	Pin, Link	2	3	YJR145-204080	Pin, Lower Link	2
4	1461-306000	Pin, Ring	4	4	1461-306000	Pin, Ring	4	4	1461-306000	Pin, Ring	4	4	1461-306000	Pin, Ring	4
5	S3016-512030	Bolt	2	5	S3016-512030	Bolt	2	5	S3016-512030	Bolt	2	5	S3016-512030	Bolt	2
6	0930-012000	Washer	2	6	0930-012000	Washer	2	6	0930-012000	Washer	2	6	0930-012000	Washer	2
7	0410-012000	Nut	2	7	0410-012000	Nut	2	7	0410-012000	Nut	2	7	0410-012000	Nylon Nut	2
8	0321-010030	Bolt	10	8	0321-010030	Bolt	7	8	0321-010025	Bolt	7	8	0322-010025	Bolt	6
9	0931-010000	Washer, Spring	10	9	0931-010000	Washer, Spring	7	9	0931-010000	Washer, Spring	7	9	0931-010000	Washer, Spring	10
10	0410-010001	Nut	10	10	0410-010001	Nut	7	10	0410-010001	Nut	7	10	0422-010000	Nut	10
11	YJR145-205030	Pipe, Connection	1	11	C050-205070	Bracket	2	11	C050-205070	Bracket	2	11	C050-205070	Bracket	2
12	0831-108045	Pin, Spring	1	12	0321-010035	Bolt	4	12	0321-010030	Bolt	4	12	0322-010030	Bolt	4
13	YJR145-205000	Plate, Balance	1	13	C050-205000	Plate, Balance	1	13	C050-205000	Plate, Balance	1	13	YJC052-205000	Plate, Balance	1
14	YJR145-205060	Chain	1	14	YJR145-205060	Chain	1	14	YJR145-205060	Chain	1	14	YJR145-205060	Chain	1
15	0310-012050	Bolt	1	15	0851-012040	Pin	1	15	0851-012040	Pin	1	15	0851-010040	Pin	1
16	0931-012000	Washer, Spring	1	16	0832-103222	Pin, Split	1	16	0832-103222	Pin, Split	1	16	0832-103222	Pin, Split	1
17	0410-012001	Nut	1	17	0930-013000	Washer, Plain	1	17	0930-013000	Washer, Plain	1	17	0930-011000	Washer	1
18	YJR145-206000	Grip, Stand	1	18	YJR145-206000	Grip, Stand	1	18	YJR145-206000	Grip, Stand	1	18	YJR145-206000	Grip, Stand	1
19	0321-010025	Bolt	1	19	0321-010025	Bolt	2	19	0321-010025	Bolt	2	19	0322-010025	Bolt	2
20	0931-010000	Washer, Spring	1	20	0931-010000	Washer, Spring	2	20	0931-010000	Washer, Spring	2	20	0931-010000	Washer, Spring	2
21	0410-010001	Nut	1	21	0410-010001	Nut	2	21	0410-010001	Nut	2	21	0422-010000	Nut	2
22	YJR145-207000	Stand	1	22	YJR145-207000	Stand	1	22	YJR145-207000	Stand	1	22	YJR145-207000	Stand	1
23	0310-010055	Bolt	1	23	0310-010055	Bolt	1	23	0310-010060	Bolt	1	23	0322-010060	Bolt	1
24	0931-010000	Washer, Spring	1	24	0931-010000	Washer, Spring	1	24	0931-010000	Washer, Spring	1	24	0931-010000	Washer, Spring	1
25	0410-010000	Nut	1	25	0410-010000	Nut	1	25	0410-010000	Nut	1	25	0422-010000	Nut	1
26	0851-010055	Pin	1	26	0851-010055	Pin	1	26	0851-010060	Pin	1	26	0851-010060	Pin	1
27	1109-020000	Pin-R Shape	1	27	1109-020000	Pin-R Shape	1	27	1109-020000	Pin-R Shape	1	27	0832-200035	Pin-R Shape	1
Serial No	Y500001 ~ Y500051			Serial No	C520001 ~ C520102			Serial No	C520103 ~ C520180			Serial No	C520181 ~ C520180 C520001G ~ C520001R ~		

YJC052

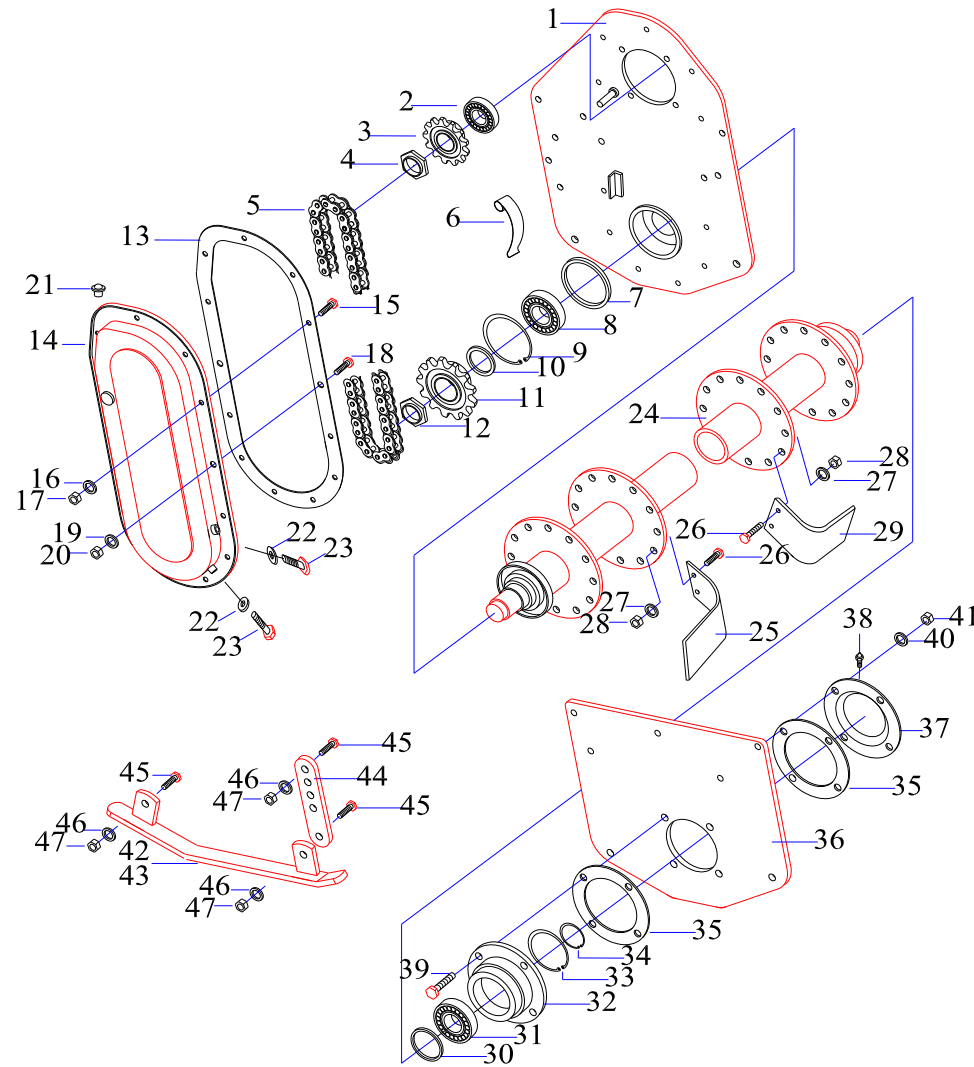
TRANSMISSION GROUP

Year/Month

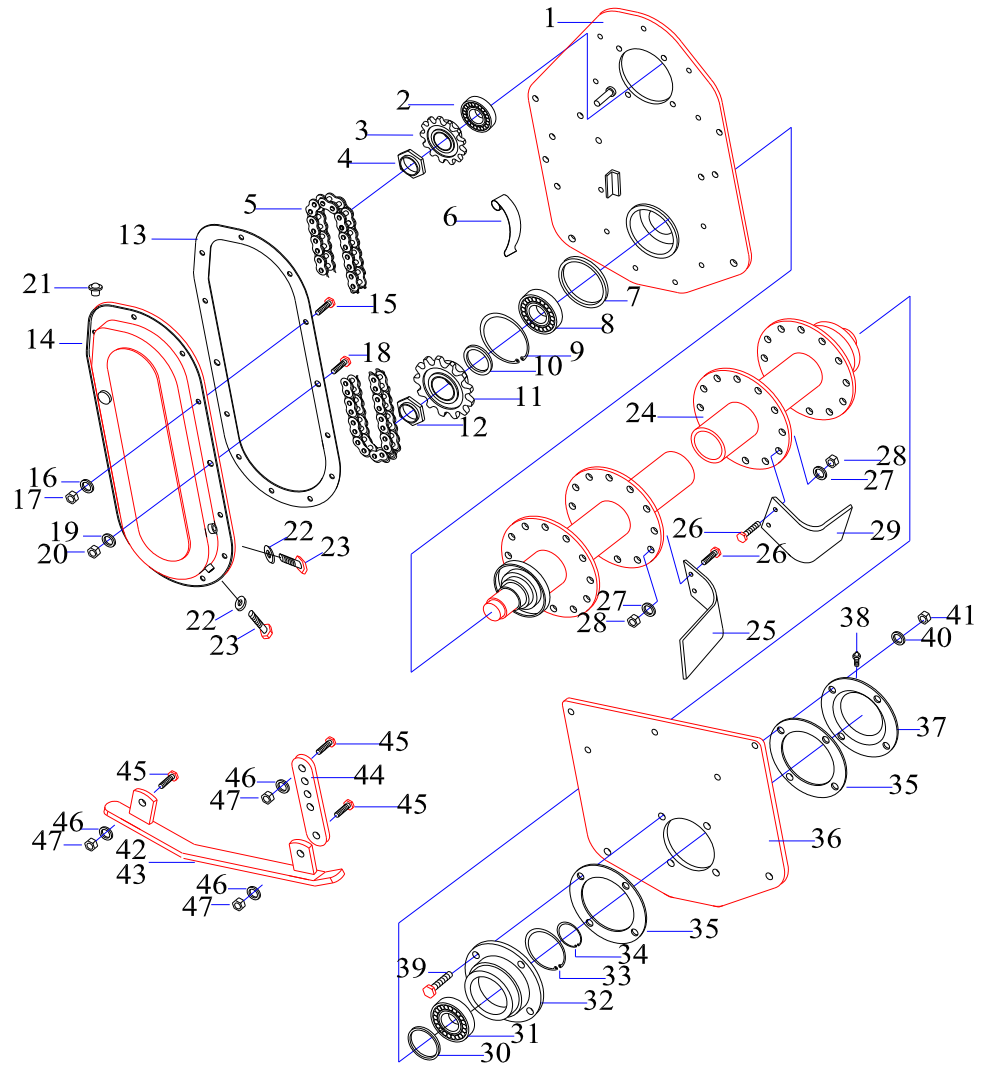
2014 / 12



YJC052				TRANSMISSION GROUP											
Revision 0				Revision 1				Revision 2				Revision 3			
Ref No	Part No	DESCRIPTION	MODEL YJC052	Ref. No.	Part No.	DESCRIPTION	MODEL YJC052	Ref. No.	Part No.	DESCRIPTION	MODEL YJC052	Ref. No.	Part No.	DESCRIPTION	MODEL YJC052
1	YJR145-100100	Case, Mission	1	1	YJR145-100100	Case, Mission	1	1	YJR145-100100	Case, Mission	1	1	YJR145-100100	Case, Mission	1
2	YJR145-100200	Shaft, Input	1	2	YJR145-100200	Shaft, Input	1	2	YJR145-100200	Shaft, Input	1	2	YJR145-100200	Shaft, Input	1
3	YJR145-100300	12T Gear Bevel	1	3	YJR145-100300	12T Gear Bevel	1	3	YJR145-100300	12T Gear Bevel	1	3	YJR145-100300	13T Gear Bevel	1
4	DS0120-030305	Bearing,Taper	1	4	DS0120-030305	Bearing,Taper	1	4	DS0120-030305	Bearing,Taper	1	4	0120-030305	Bearing,Taper	1
5	DS0800-200062	Ring, Snap	2	5	DS0800-200062	Ring, Snap	2	5	DS0800-200062	Ring, Snap	2	5	0800-200062	Ring, Snap	2
6	DS0240-620700	Seal, Oil	1	6	DS0240-620700	Seal, Oil	1	6	DS0240-620700	Seal, Oil	1	6	0240-620700	Seal, Oil	1
7	YJR145-100500	Cap, Oil	1	7	YJR145-100500	Cap, Oil	1	7	YJR145-100500	Cap, Oil	1	7	YJR145-100500	Cap, Oil	1
												8	0920-020000	Washer, Packing	1
8	DS0120-006007	Bearing, Ball	1	8	DS0120-006007	Bearing, Ball	1	8	DS0120-006007	Bearing, Ball	1	9	0121-006007	Bearing, Ball	1
9	DS0250-356010	Seal, Oil	1	9	DS0250-356010	Seal, Oil	1	9	DS0250-356010	Seal, Oil	1	10	0240-356210	Seal, Oil	1
10	YJR145-302020	Bracket, Cover	1	10	YJR145-302020	Bracket, Cover	1	10	YJR145-302020	Bracket, Cover	1	11	YJR145-302020	Bracket, Cover	1
11	YJR145-302010	Cover, Safety	1	11	YJR145-302010	Cover, Safety	1	11	YJR145-302010	Cover, Safety	1	12	YJR145-302010	Cover, Safety	1
12	0327-008014	Bolt w/washer	3	12	0327-008014	Bolt w/washer	3	12	0327-008014	Bolt w/washer	3	13	0327-008014	Bolt w/washer	3
13	0930-008000	Washer	7	13	0930-008000	Washer	7	13	0930-008000	Washer	7	14	0930-008000	Washer	7
14	0327-008016	Bolt w/washer	4	14	0327-008016	Bolt w/washer	4	14	0327-008016	Bolt w/washer	4	15	0327-008016	Bolt w/washer	4
15	0321-012014	Bolt	1	15	0321-012014	Bolt	1	15	0321-012014	Bolt	1	16	0321-010014	Bolt	1
16	0920-010000	Washer, Packing	1	16	0920-010000	Washer, Packing	1	16	0920-010000	Washer, Packing	1	17	0920-010000	Washer, Packing	1
17	DS0800-000035	Ring, Snap	1	17	DS0800-000035	Ring, Snap	1	17	DS0800-000035	Ring, Snap	1	18	0800-100035	Ring, Snap	1
18	YJR145-100400	21T Gear Bevel	1	18	YJR145-100400	21T Gear Bevel	1	18	YJR145-100400	21T Gear Bevel	1	19	YJR145-100400	21T Gear Bevel	1
19	DS0121-006307	Bearing, Ball	1	19	DS0121-006307	Bearing, Ball	1	19	DS0121-006307	Bearing, Ball	1	20	0122-006307	Bearing, Ball	1
20	YJR145-201030	Packing	1	20	YJR145-201030	Packing	1	20	YJR145-201030	Packing	1	21	YJR145-201030	Packing	1
21	YJR145-201100	Shaft, Driver	1	21	YJR145-201100	Shaft, Driver	1	21	YJR145-201100	Shaft, Driver	1	22	YJR125-201100	Shaft, Driver	1
Serial No	Y500001 ~ Y500051			Serial No	C520001 ~ C520102			Serial No	C520103 ~ C520180			Serial No	C520181 ~ C520180 C520001G ~ C520001R ~		



YJC052				SIDE GEAR GROUP 1											
Revision 0				Revision 1				Revision 2				Revision 3			
Ref No	Part No	DESCRIPTION	MODEL YJC052	Ref. No.	Part No.	DESCRIPTION	MODEL YJC052	Ref. No.	Part No.	DESCRIPTION	MODEL YJC052	Ref. No.	Part No.	DESCRIPTION	MODEL YJC052
1	YJR145-200000	Plate, Side Gear	1	1	C050-202000	Plate, Chain Case	1	1	C050-202000	Plate, Chain Case	1	1	C050-202000	Plate, Chain Case	1
2	DS0120-030350	Bearing, Ball	1	2	DS0121-006307	Bearing, Ball	1	2	DS0121-006307	Bearing, Ball	1	2	0121-006307	Bearing, Ball	1
3	YJR145-200500	13T Sprocket	1	3	YJR145-200500	13T Sprocket	1	3	YJR145-200500	13T Sprocket	1	3	YJR145-200500	13T Sprocket	1
4	YJR145-200510	M30 Nut	1	4	YJR145-200510	M30 Nut	1	4	YJR145-200510	M30 Nut	1	4	0150-030000	M30 Nut	1
5	DS2135-113000	Chain	1	5	DS2135-113000	Chain	1	5	DS2135-113000	Chain	1	5	DS2135-113000	Chain	1
6	DS1723-117000	Tension, Chain	1	6	DS1723-117000	Tension, Chain	1	6	DS1723-117000	Tension, Chain	1	6	DS1723-117000	Tension, Chain	1
7	YJR145-202010	Boss, Tillage	1												
8	YJR145-201380	Packing	3												
9	0321-012025	Bolt w/washer	4												
10	DS0250-557210/8	Seal, Oil	1	7	DS0250-557210/8	Seal, Oil	1	7	DS0250-557210/8	Seal, Oil	1	7	0240-557210/8	Seal, Oil	1
11	DS0122-001209	Bearing, Ball	1	8	DS0122-001209	Bearing, Ball	1	8	DS0122-001209	Bearing, Ball	1	8	0121-006209	Bearing, Ball	1
12	DS0800-200085	Ring, Snap	1	9	DS0800-200085	Ring, Snap	1	9	DS0800-200085	Ring, Snap	1	9	0800-200085	Ring, Snap	1
13	YJR145-200710	Collar, Hoe Shaft	1	10	YJR145-200710	Collar, Hoe Shaft	1	10	YJR145-200710	Collar, Hoe Shaft	1	10	YJR145-200710	Collar	1
14	YJR145-200700	17T Sprocket	1	11	YJR145-200700	17T Sprocket	1	11	YJR145-200700	17T Sprocket	1	11	YJR145-200700	17T Sprocket	1
15	YJR145-200720	M38 Nut	1	12	YJR145-200720	M38 Nut	2	12	YJR145-200720	M38 Nut	1	12	0150-035000	M35 Nut	1
16	2210-108000	Packing, Plate	1	13	2210-108000	Packing, Plate	11	13	2210-108000	Packing, Plate	1	13	2210-108000	Packing, Plate	1
17	2210-107000	Cover, Chain	1	14	2210-107000	Cover, Chain	1	14	2210-107000	Cover, Chain	1	14	2210-107000	Cover, Chain	1
18	0321-010025	Bolt w/washer	2	15	0321-010025	Bolt w/washer	2	15	0321-010020	Bolt	2	15	0321-010020	Bolt	2
19	0321-008025	Bolt w/washer	11	16	0321-008025	Bolt w/washer	2	16	0931-010000	Washer, Spring	2	16	0931-010000	Washer, Spring	2
								17	0410-010000	Nut	2	17	0421-010000	Nut	2
								18	0321-008020	Bolt	11	18	0321-008020	Bolt	11
								19	0931-008000	Washer, Spring	11	19	0931-008000	Washer, Spring	11
								20	0410-008000	Nut	11	20	0421-008000	Nut	11
20	2131-302000	Cap Filling	1	17	2131-302000	Cap Filling	1	21	2131-302000	Cap Filling	1	21	1500-500030/1	Cap Filling	1
21	0931-010000	Washer, Packing	2	18	0931-010000	Washer, Packing	2	22	0931-010000	Washer, Packing	2	22	0920-010000	Washer, Packing	2
22	0321-010014	Bolt	2	19	0321-010014	Bolt	2	23	0321-010014	Bolt	2	23	0321-010014	Bolt	2
Serial No	Y500001 ~ Y500051			Serial No	C520001 ~ C520102			Serial No	C520103 ~ C520180			Serial No	C520181 ~ C520180 C520001G ~ C520001R ~		



YJC052				SIDE GEAR GROUP 2											
Revision 0				Revision 1				Revision 2				Revision 3			
Ref No	Part No	DESCRIPTION	MODEL YJC052	Ref.No.	Part No.	DESCRIPTION	MODEL YJC052	Ref.No.	Part No.	DESCRIPTION	MODEL YJC052	Ref. No.	Part No.	DESCRIPTION	MODEL YJC052
23	YJR145-201300	Shaft, Tillage	1	20	C050-201300	Shaft, Tillage	1	24	C050-201300	Shaft, Tillage	1	24	YJR050-201300	Shaft, Tillage	1
24	YJR145-201350	Blade, LH	18	21	YJR145-201350	Blade, LH	18	25	YJR145-201350	Blade, LH	18	25	YJR145-201350	Blade, LH	18
25	0321-012035	Bolt	72	22	0321-012035	Bolt	72	26	0321-012035	Bolt	72	26	0321-012035	Bolt	72
26	0931-012000	Washer, Spring	72	23	0931-012000	Washer, Spring	72	27	0931-012000	Washer, Spring	72	27	0931-012000	Washer, Spring	72
27	0410-012000	Nut	72	24	0410-012000	Nut	72	28	0410-012000	Nut	72	28	0421-012000	Nut	72
28	YJR145-201360	Blade, RH	18	25	YJR145-201360	Blade, RH	18	29	YJR145-201360	Blade, RH	18	29	YJR145-201360	Blade, RH	18
29	DS0250-557210/8	Seal, Oil	1	26	DS0250-557210/8	Seal, Oil	1	30	DS0250-557210/8	Seal, Oil	1	30	0240-557210/8	Seal, Oil	1
30	DS0121-006207	Bearing, Ball	1	27	DS0121-006207	Bearing, Ball	1	31	DS0121-006207	Bearing, Ball	1	31	0121-006208	Bearing, Ball	1
31	YJR145-202020	Boss, Tillage	1	28	YJR145-202020	Boss, Tillage	1	32	YJR145-202020	Boss, Tillage	1	32	YJR145-202020	Boss, Tillage	1
32	DS0800-200080	Ring, Snap	1	29	DS0800-200080	Ring, Snap	1	33	DS0800-200080	Ring, Snap	1	33	0800-200080	Ring, Snap	1
33	DS0800-000040	Ring, Snap	1	30	DS0800-000040	Ring, Snap	1	34	DS0800-000040	Ring, Snap	1	34	0800-100040	Ring, Snap	1
				31	YJR145-201380	Packing	2	35	YJR145-201380	Packing	3	35	YJR145-201380	Packing	2
34	YJR145-203000	Bracket	1	32	C050-203010	Bracket	1	36	C050-203010	Bracket	1	36	YJR050-203010	Bracket	1
35	YJR145-201400	Cover, Bearing	1	33	YJR145-201400	Cover, Bearing	1	37	YJR145-201400	Cover, Bearing	1	37	YJR145-201400	Cover, Bearing	1
36	0321-012025	Bolt w/washer	4	34	0321-012025	Bolt w/washer	4	38	0321-012025	Bolt w/washer	4				
37	0231-080001	plug, grease	1	35	0231-080001	plug, grease	1	39	0231-080001	plug, grease	1	38	0231-080001	plug, grease	1
38	YJR145-208000	Skid LH	1	36	YJR145-208000	Skid LH	1	40	YJR145-208000	Skid LH	1	42	YJC052-208000	Skid LH	1
39	YJR145-209000	Skid RH	1	37	YJR145-209000	Skid RH	1	41	YJR145-209000	Skid RH	1	43	YJC052-209000	Skid RH	1
40	YJR145-208030	Bracket , Skid	2	38	YJR145-208030	Bracket , Skid	2	42	YJR145-208030	Bracket , Skid	2	44	YJR145-208030	Bracket , Skid	2
41	0321-012035	Bolt	2	39	0321-012035	Bolt	2	43	0321-012030	Bolt	4	39	0310-012030	Bolt	4
42	0931-012000	Washer, Spring	2	40	0931-012000	Washer, Spring	2	44	0931-012000	Washer, Spring	4	40	0931-012000	Washer, Spring	4
43	0410-012000	Nut	2	41	0410-012000	Nut	2	45	0410-012000	Nut	4	41	0423-012000	Nut	4
44	0321-012030	Bolt	4	42	0321-012030	Bolt	4	46	0321-012025	Bolt	2	45	0310-012030	Bolt	6
45	0931-012000	Washer, Spring	4	43	0931-012000	Washer, Spring	4	47	0931-012000	Washer, Spring	2	46	0931-012000	Washer, Spring	6
46	0410-012000	Nut	4	44	0410-012000	Nut	4	48	0410-012000	Nut	2	47	0423-012000	Nut	6
Serial No	Y500001 ~ Y500051			Serial No	C520001 ~ C520102			Serial No	C520103 ~ C520180			Serial No	C520181 ~ C520180 C520001G ~ C520001R ~		