



TILLER MODEL ER062

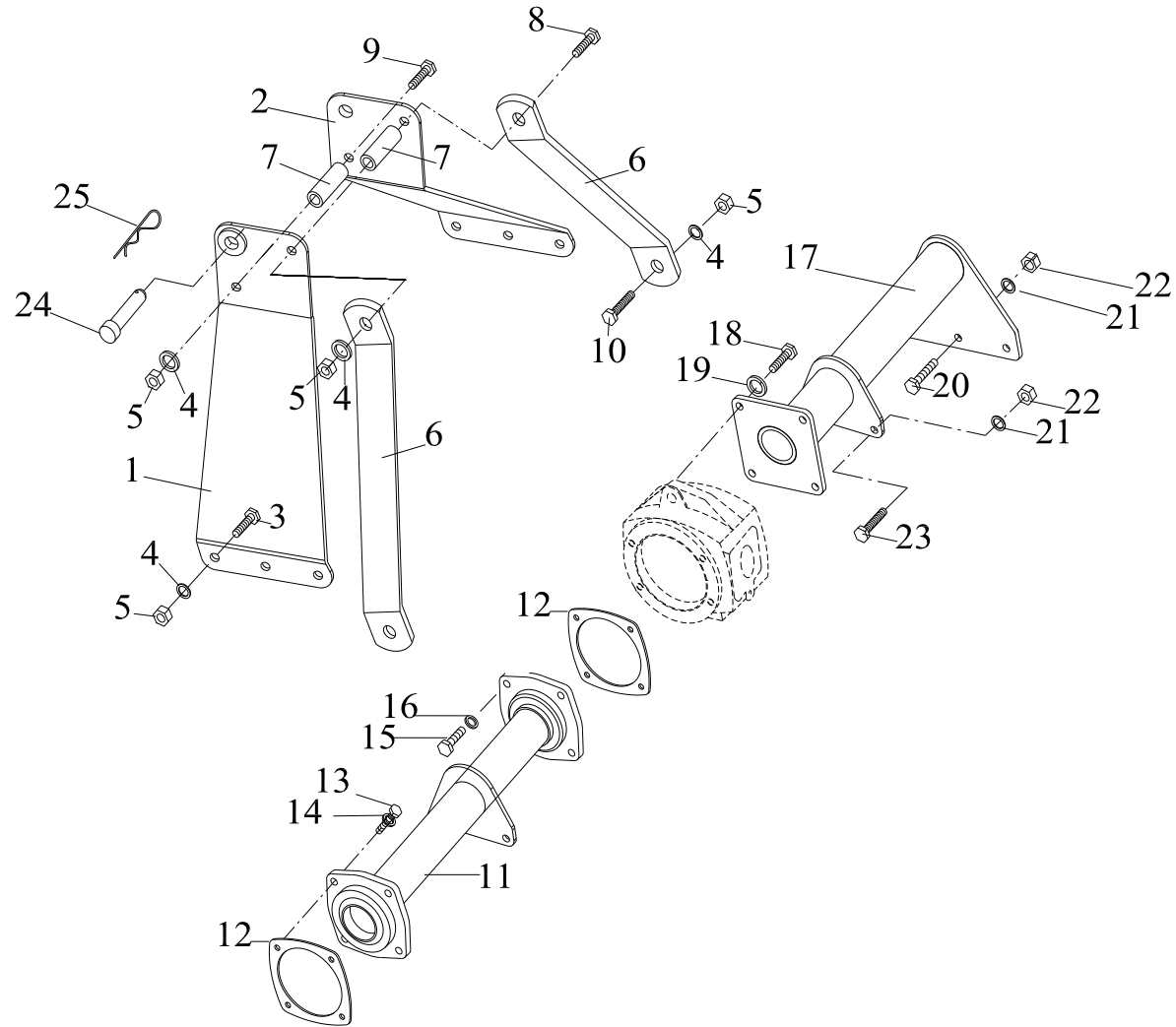
PART CATALOGUE

ER062

FRAME GROUP

Year/Month

2014 / 12



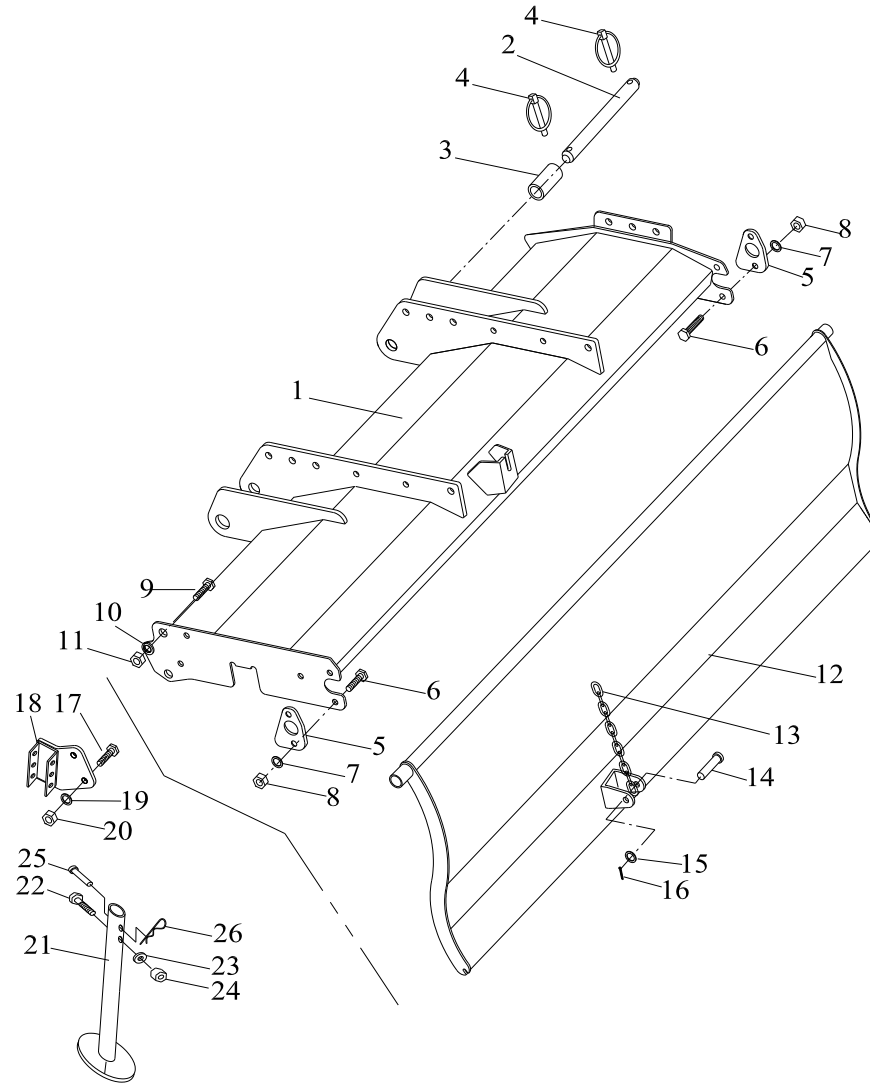
ER062			FRAME GROUP						
Revision 0				Revision 1					
Ref No	Part No	DESCRIPTION	MODEL		Ref. No.	Part No.	DESCRIPTION	MODEL	
			ER062						
1	ER62-401000	Master LH	1						
2	ER62-402001	Master RH	1						
3	0310-012030	Bolt	6						
4	0931-012000	Washer, Spring	9						
5	0423-012000	Nut	9						
6	ER62-403000	Stay	2						
7	ER62-404000	Collar	2						
8	0310-012100	Bolt	1						
9	0310-012085	Bolt	1						
10	0310-012035	Bolt	2						
11	ER62-201001	Pipe, Frame LH	1						
12	YJR145-201030	Packing	2						
13	0321-010025	Bolt	4						
14	0931-010000	Washer, Spring	4						
15	0321-010025	Bolt	4						
16	0931-010000	Washer, Spring	4						
17	ER62-203001	Pipe, Frame RH	1						
18	0310-012025	Bolt	4						
19	0931-012000	Washer, Spring	4						
20	0322-010025	Bolt	3						
21	0422-010000	Nut	7						
22	0931-010000	Washer, Spring	7						
23	0322-010030	Bolt	4						
24	YJR145-301040	Pin, Top Link	1						
25	0832-200050	Pin, R-Shape	1						
Serial No	62E000001G ~ 62E000001R ~				Serial No				

ER062

# COVER GROUP

Year/Month

2014 / 12



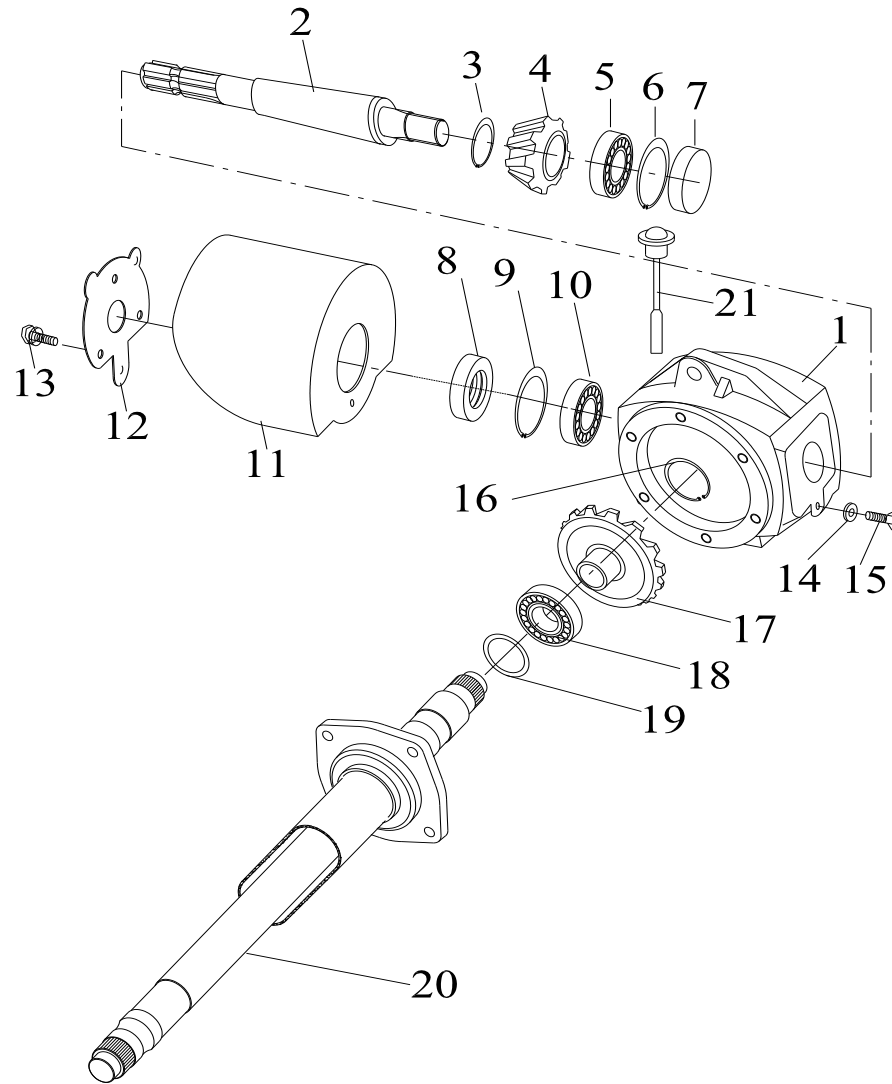
ER062				COVER GROUP					
Revision 0				Revision 1					
Ref No	Part No	DESCRIPTION	Model		Ref. No.	Part No.	DESCRIPTION	Model	
			ER062						
1	ER62-501001	Cover,Tillage	1						
2	YJR145-204080	Pin, Lower Link	2						
3	ER62-204090	Collar, Link Pin	2						
4	1461-306000	Pin, Ring	4						
5	ER62-504000	Bracket	2						
6	0322-010030	Bolt	4						
7	0931-010000	Washer, Spring	4						
8	0422-010000	Nut	4						
9	0322-010030	Bolt	2						
10	0422-010000	Nut	2						
11	0931-010000	Washer, Spring	2						
12	ER62-304000	Plate, Balance	1						
13	ER62-309000	Chain	1						
14	0851-010040	Pin	1						
15	0930-010000	Washer	1						
16	0832-103222	Pin, split	1						
17	0322-010025	Bolt	2						
18	YJR145-206000	Grip, Stand	1						
19	0931-010000	Washer, Spring	1						
20	0422-010000	Nut	1						
21	1520-306000	Stand	1						
22	0322-010060	Bolt	1						
23	0931-010000	Washer, Spring	1						
24	0422-010000	Nut	1						
25	0851-010060	Pin	1						
26	0832-200035	Pin-R Shape	1						
Serial No	62E000001G ~ 62E000001R ~				Serial No				

ER062

# TRANSMISSION GROUP

Year/Month

2014 / 12



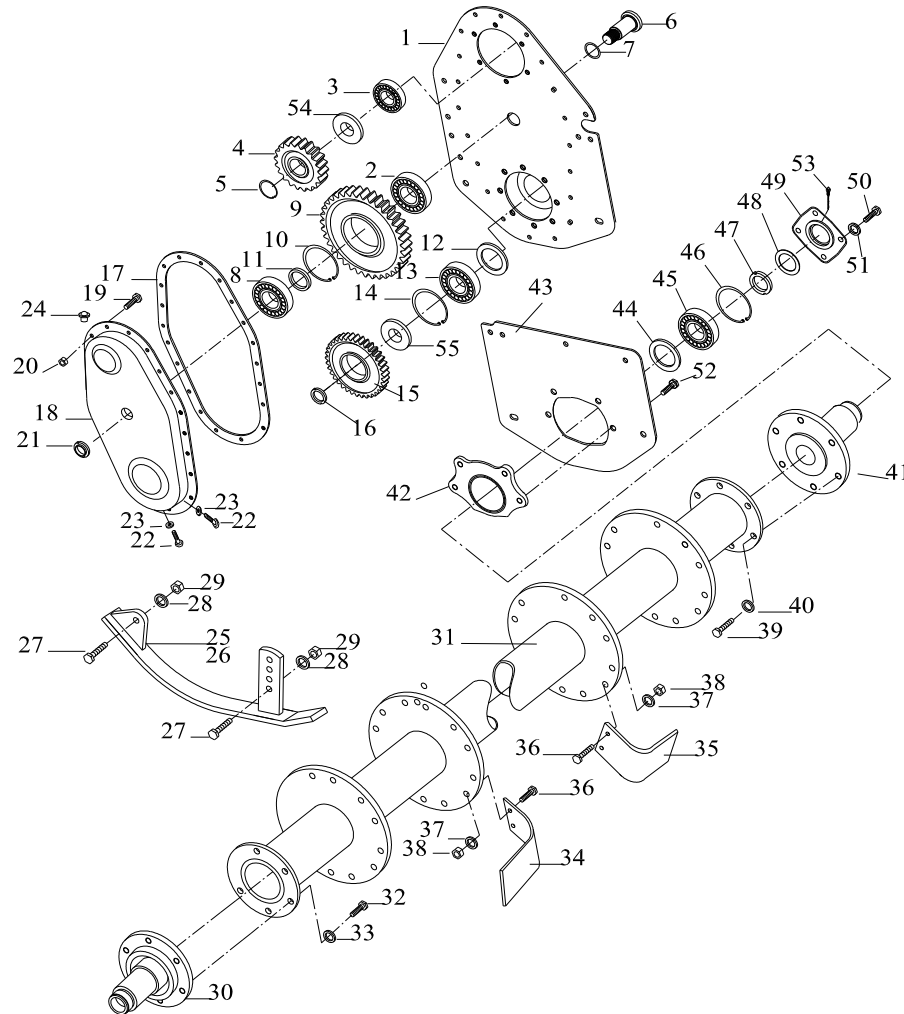
ER062			TRANSMISSION GROUP						
Revision 0				Revision 1					
Ref No	Part No	DESCRIPTION	Model		Ref. No.	Part No.	DESCRIPTION	Model	
			ER062						
1	YJ145-100101	Case, Trans Mission	1						
2	ER62-101010	Shaft, Input	1						
3	0800-100030	Ring, Snap	1						
4	ER62-101020	13T Gear, Bevel	1						
5	0120-030305	Bearing, Taper Roller	1						
6	0800-200062	Ring, Snap	1						
7	0240-062007	Seal, Oil	1						
8	0240-356212	Seal, Oil	1						
9	0800-200062	Ring, Snap	1						
10	0121-006007	Bearing, Ball	1						
11	YJ14-501000	Cover, Safety	1						
12	1731-500019	Bracket, Cover	1						
13	0327-008016	Bolt w/washer	3						
14	0920-010000	Washer, Packing	1						
15	0321-010014	Bolt	1						
16	0800-100030	Ring, Snap	1						
17	ER62-101030	19T Gear, Bevel	1						
18	0123-006307	Bearing, Ball	1						
19	ER62-102020	Shim	1						
20	ER62-101060	Shaft, Driver	1						
21	ER62-601000	Gage, Oil	1						
Serial No	62E000001G ~ 62E000001R ~				Serial No				

ER062

# SIDE GEAR GROUP 1

Year/Month

2014 / 12





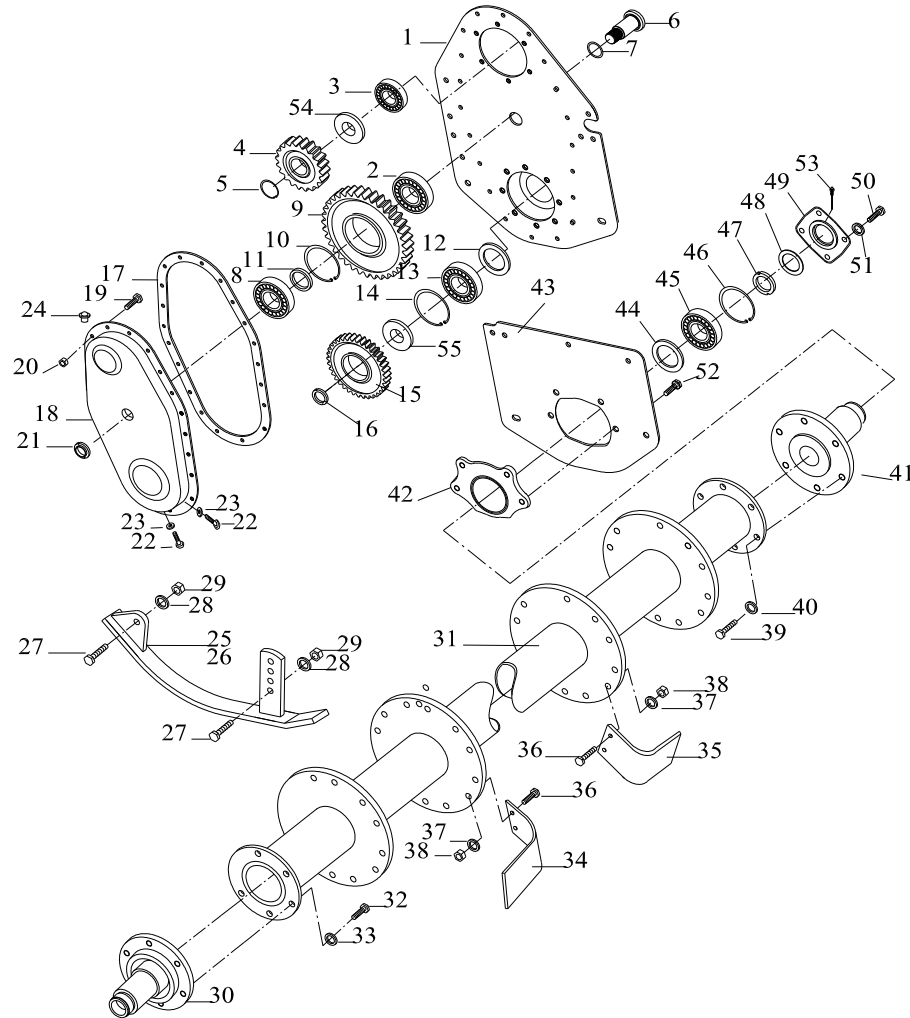
ER062			SIDE GEAR GROUP 1						
Revision 0				Revision 1					
Ref No	Part No	DESCRIPTION	Model		Ref. No.	Part No.	DESCRIPTION	Model	
			ER062						
1	ER62-301001	Plate, Side Gear	1						
2	0122-006307D	Bearing, Ball	1						
3	ER62-102010	Collar	1						
4	ER62-102020	Shim	1						
5	ER62-304011	17T Gear, Spur	1						
6	0150-030015	Lock,Nut	1						
7	0121-006010	Bearing, Ball	2						
8	ER62-304021	36T Gear, Spur	1						
9	0800-200080	Ring, Snap	1						
10	0800-100050	Ring, Snap	1						
11	0240-557212	Seal, Oil	1						
12	0122-006209	Bearing, Ball	1						
13	0800-200085	Ring, Snap	1						
14	ER62-102040	Collar	1						
15	ER62-304031	26T Gear, Spur	1						
16	0800-100045	Ring, Snap	1						
17	1500-500030/3	Packing, Plate	1						
18	ER62-302000	Cover, Side Gear	1						
19	0321-008020	Bolt	17						
20	0420-008000	Flange Nut	17						
21	0321-008030	Bolt	3						
22	0420-008000	Flange Nut	3						
23	0321-010014	Bolt	2						
24	0920-010000	Washer, Packing	2						
25	0328-700012	Cap, Filling	1						
Serial No	62E000001G ~ 62E000001R ~				Serial No				

ER062

# SIDE GEAR GROUP 2

Year/Month

2014 / 12



ER062				SIDE GEAR GROUP 2					
Revision 0				Revision 1					
Ref No	Part No	DESCRIPTION	Model		Ref. No.	Part No.	DESCRIPTION	Model	
			ER062						
26	0310-012030	Bolt	4						
27	0931-012000	Washer, Spring	4						
28	0423-012000	Nut	4						
29	0322-010025	Bolt	3						
30	0931-010000	Washer, Spring	3						
31	0422-010000	Nut	3						
32	0240-557212	Seal, Oil	1						
33	0122-006208	Bearing, Ball	1						
34	YJR145-202020	Boss, Tillage RH	1						
35	0800-200080	Ring, Snap	1						
36	0800-100040	Ring, Snap	1						
37	YJR145-201380	Packing	2						
38	ER62-202000	Plate, Bracket	1						
39	YJR145-201400	Cover, Boss	1						
40	0340-060000	Plug, Grease	1						
41	0310-012030	Bolt	4						
42	0931-012000	Washer, Spring	4						
43	0423-012000	Nut	4						
44	ER62-303000	Shaft, Tillage	1						
45	YJR145-201350	Blade, LH	21						
46	YJR145-201360	Blade, RH	21						
47	0322-012030	Bolt	84						
48	0931-012000	Washer, Spring	84						
49	0422-012000	Nut	84						
50	ER62-306100	Skid LH	1						
51	ER62-306200	Skid RH	1						
Serial No	62E000001G ~ 62E000001R ~				Serial No				