



TILLER MODEL ER074

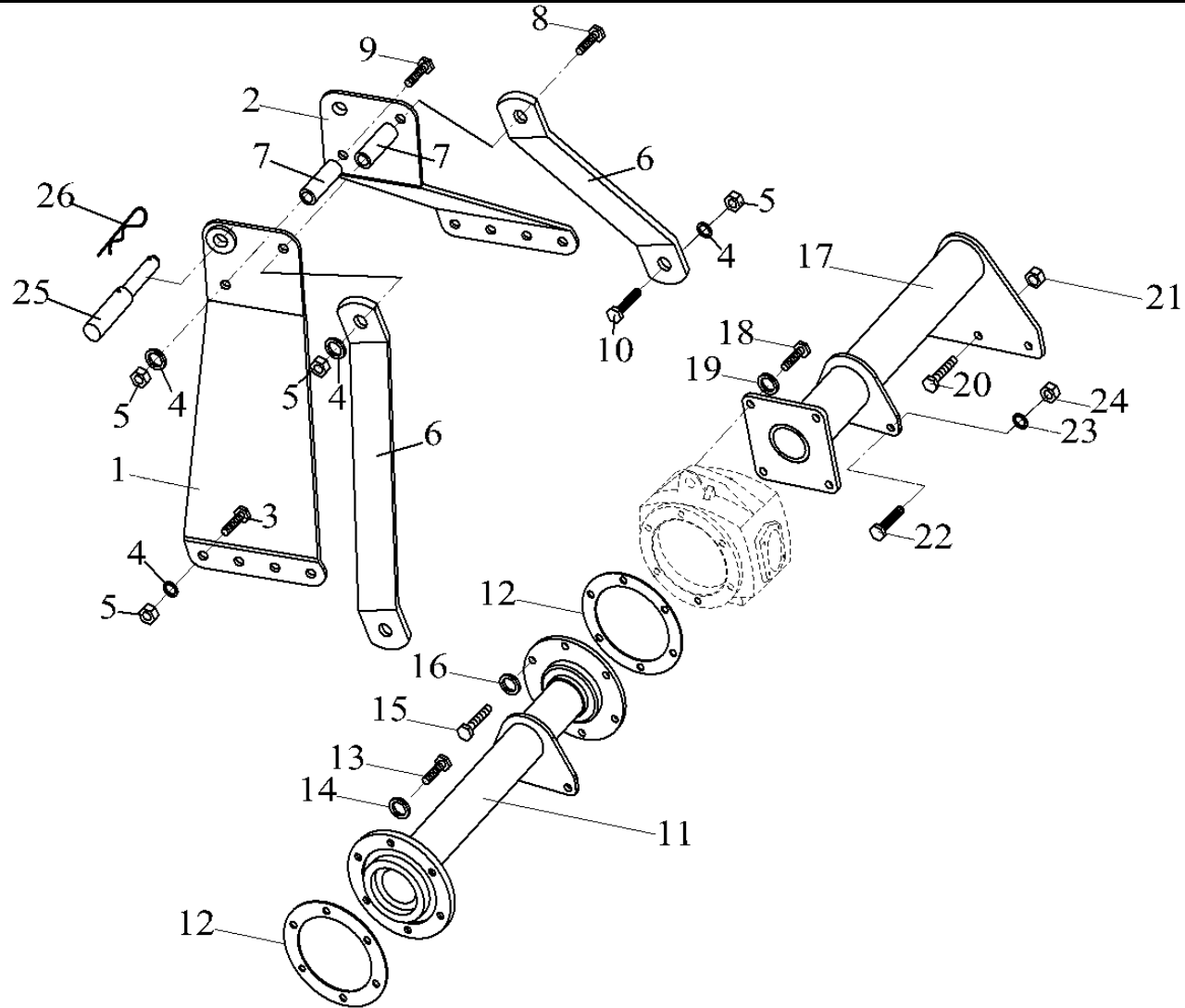
PART CATALOGUE

ER074

FRAME GROUP

Year/Month

2014 / 12



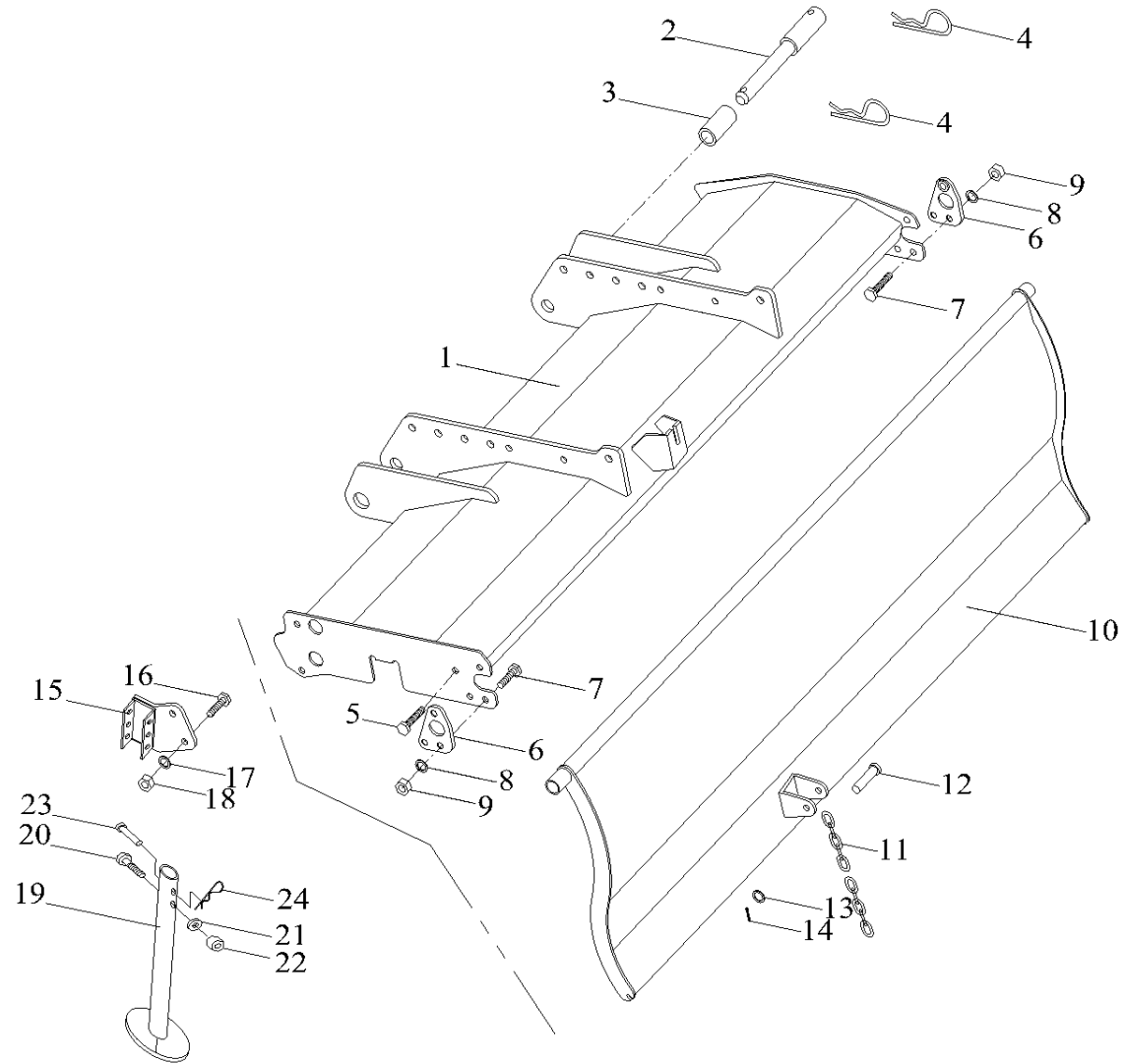
ER074				FRAME GROUP					
Revision 0				Revision 1					
Ref No	Part No	DESCRIPTION	MODEL		Ref. No.	Part No.	DESCRIPTION	MODEL	
			ER074						
1	ER74-401000	Master LH	1						
2	ER74-402000	Master RH	1						
3	0310-012030	Bolt	8						
4	0931-012000	Washer, Spring	12						
5	0423-012000	Nut	12						
6	ER62-403000	Stay	2						
7	ER62-404000	Collar	2						
8	0310-012100	Bolt	1						
9	0310-012085	Bolt	1						
10	0310-012030	Bolt	2						
11	ER74-201001	Pipe, Frame LH	1						
12	M74-201030	Packing	2						
13	0321-010020	Bolt	6						
14	0931-010000	Washer, Spring	6						
15	0321-010025	Bolt	6						
16	0931-010000	Washer, Spring	6						
17	ER74-202000	Pipe, Frame RH	1						
18	0321-012025	Bolt	4						
19	0931-012000	Washer, Spring	4						
20	0322-010025	Bolt	3						
21	0420-010000	Flange Nut	3						
22	0322-010030	Bolt	3						
23	0931-010000	Washer, Spring	3						
24	0422-010000	Nut	3						
25	M74-400010	Pin, Top Link	1						
26	0832-200050	Pin, R-Shape	1						
Serial No	74E000001G ~ 74E000001R ~				Serial No				

ER074

COVER GROUP

Year/Month

2014 / 12



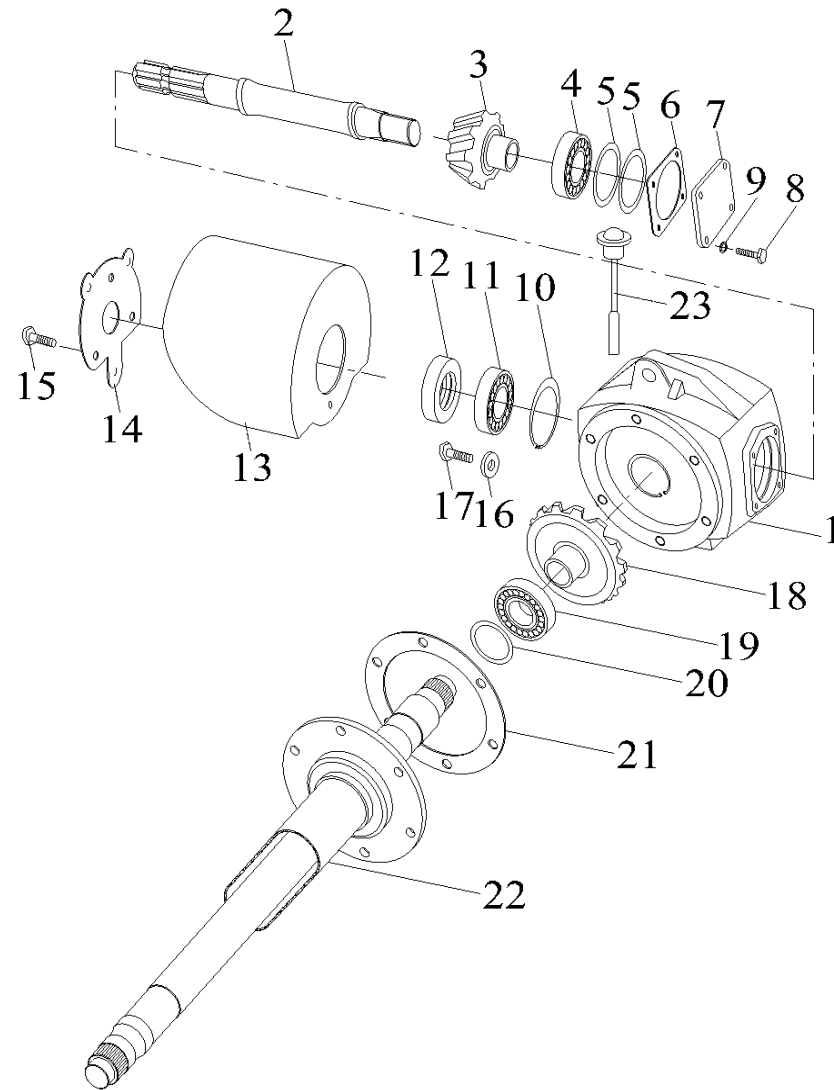
ER074				COVER GROUP					
Revision 0				Revision 1					
Ref No	Part No	DESCRIPTION	Model		Ref. No.	Part No.	DESCRIPTION	Model	
			ER074						
1	ER74-501000	Cover,Tillage	1						
2	M74-502090	Pin, Lower Link	2						
3	M74-502101	Collar, Link Pin	2						
4	0832-200050	Pin, R-Shape	4						
5	0327-080016	Bolt with S/W	1						
6	M74-503000	Bracket	2						
7	0322-010030	Bolt	6						
8	0931-010000	Washer, Spring	6						
9	0422-010000	Nut	6						
10	ER74-304000	Plate, Balance	1						
11	M74-601060	Chain	1						
12	0851-010040	Pin	1						
13	0930-010000	Washer	1						
14	0832-103222	Pin, split	1						
15	YJR145-206000	Grip, Stand	1						
16	0322-010025	Bolt	1						
17	0931-010000	Washer, Spring	1						
18	0422-010000	Nut	1						
19	M74-307000	Stand	1						
20	0322-010060	Bolt	2						
21	0931-010000	Washer, Spring	2						
22	0422-010000	Nut	2						
23	0851-010060	Pin	1						
24	0832-200035	Pin-R Shape	1						
Serial No	74E000001G ~ 74E000001R ~				Serial No				

ER074

TRANSMISSION GROUP

Year/Month

2014 / 12



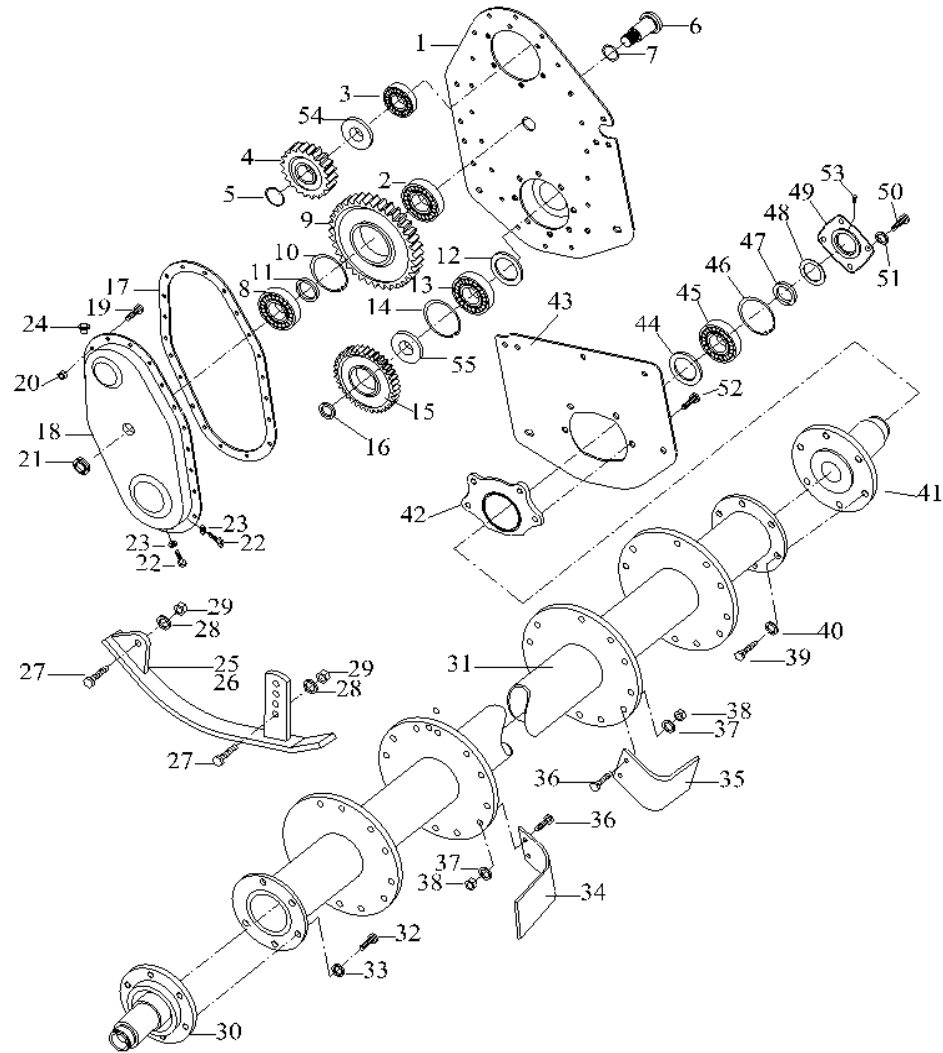
ER074				TRANSMISSION GROUP					
Revision 0				Revision 1					
Ref No	Part No	DESCRIPTION	Model		Ref. No.	Part No.	DESCRIPTION	Model	
			ER074						
1	ER74-101000	Case, Trans Mission	1						
2	M74-101010	Shaft, Input	1						
3	M74-101011	13T Gear Bevel	1						
4	0120-030208	Bearing, Taper	1						
5	M74-101050	Shim	1						
6	M74-101030	Packing, Cover, input Shaft	1						
7	M74-101040	Cover, Input Shaft	1						
8	0322-010025	Bolt	4						
9	0931-010000	Washer, Spring	4						
10	0800-200072	Ring, Snap	1						
11	0121-006207	Bearing, Ball	1						
12	0240-357210	Seal, Oil	1						
13	1731-500018	Cover, Safety	1						
14	1731-500019	Bracket, Cover	1						
15	0327-008016	Bolt w/washer	3						
16	0920-010000	Washer, Packing	1						
17	0321-010014	Bolt	1						
18	M74-101020	19T Gear Bevel	1						
19	0123-6308	Bearing, Ball	1						
20	M74-101070	Collar, Shaft, Driver	1						
21	M74-201030	Packing	1						
22	ER74-101060	Shaft, Driver	1						
23	ER74-601000	Gage, Oil	1						
Serial No	74E000001G ~ 74E000001R ~				Serial No				

ER074

SIDE GEAR GROUP 1

Year/Month

2014 / 12



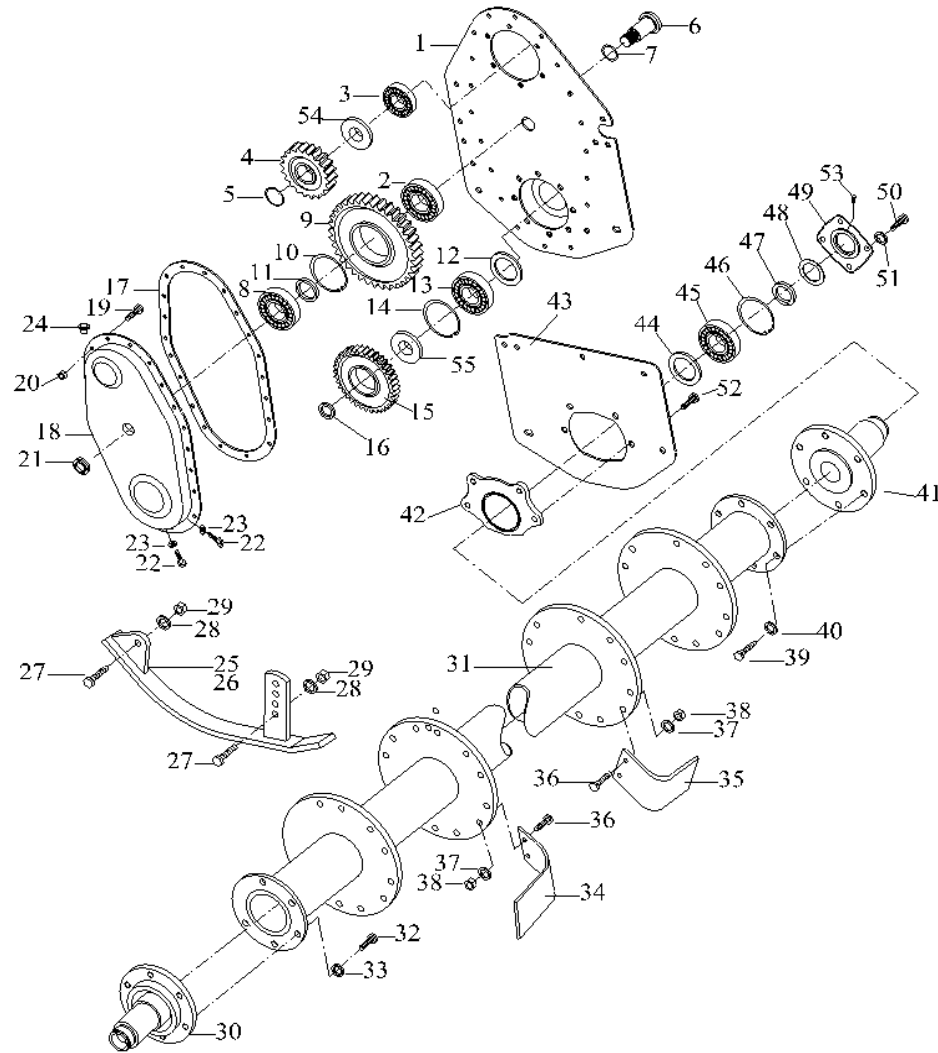
ER074			SIDE GEAR GROUP 1						
Revision 0				Revision 1					
Ref No	Part No	DESCRIPTION	Model		Ref. No.	Part No.	DESCRIPTION	Model	
			ER074						
1	ER74-301140	Plate, Side Gear	1						
2	0120-030306	Bearing, Taper	1						
3	0123-006308	Bearing, Ball	1						
4	ER74-304010	17T Gear, Spur	1						
5	0151-035015	Lock Nut	1						
6	M74-301061	Pin, Gear	1						
7	0910-300032	O-Ring	1						
8	0120-030306	Bearing, Taper	1						
9	M74-304020	36T Gear, Spur	1						
10	0800-200072	Ring, Snap	1						
11	M74-304030	Collar	1						
12	0240-507212	Seal, Oil	1						
13	0123-006209	Bearing, Ball	1						
14	0800-200085	Ring, Snap	1						
15	ER74-304040	26T Gear, Spur	1						
16	0150-035015	Nut, M35	1						
17	1500-500030/3	Packing, Plate	1						
18	M74-301000	Cover, Side Gear	1						
19	0321-008020	Bolt	20						
20	0422-008000	Flange Nut	20						
21	0150-025215	Nut	2						
22	0321-010014	Bolt	2						
23	0920-010000	Washer, Packing	2						
24	2131-302000	Cap Filling	1						
25	M74-305001	Skid LH	1						
26	M74-306001	Skid RH	1						
27	0321-012035	Bolt	4						
28	0931-012000	Washer, Spring	4						
29	0423-012000	Nut	4						
Serial No	74E000001G ~ 74E000001R ~				Serial No				

ER074

SIDE GEAR GROUP 2

Year/Month

2014 / 12



ER074			SIDE GEAR GROUP 2						
Revision 0				Revision 1					
Ref No	Part No	DESCRIPTION	Model		Ref. No.	Part No.	DESCRIPTION	Model	
			ER074						
30	M74-301081	Shaft, Spline	1						
31	ER74-303000	Shaft, Tillage	1						
32	0321-012030	Bolt	6						
33	0931-012000	Washer, Spring	6						
34	YJR145-201360	Blade, LH	27						
35	YJR145-201350	Blade, RH	27						
36	0322-012035	Bolt	108						
37	0931-012000	Washer, Spring	108						
38	0422-012000	Nut	108						
39	0321-012030	Bolt	6						
40	0931-012000	Washer, Spring	6						
41	M74-302041	Shaft, RH	1						
42	M74-302061	Boss, Tillage	1						
43	ER74-302010	Bracket	1						
44	0240-457212	Seal, Oil	1						
45	0121-006307	Bearing, Ball	1						
46	0800-200080	Ring, Snap	1						
47	0150-030015	Nut, M30	1						
48	0910-300085	O Ring	1						
49	1650-300028	Cover, Bearing	1						
50	0321-010020	Bolt	4						
51	0931-010000	Washer, Spring	4						
52	0327-012025	Bolt, w/washer	4						
53	0340-018000	Geease, Nipple	1						
54	ER74-101080	Collar A	1						
55	ER74-301090	Collar B	1						
Serial No	74E000001G ~ 74E000001R ~				Serial No				