



TILLER MODEL GM102

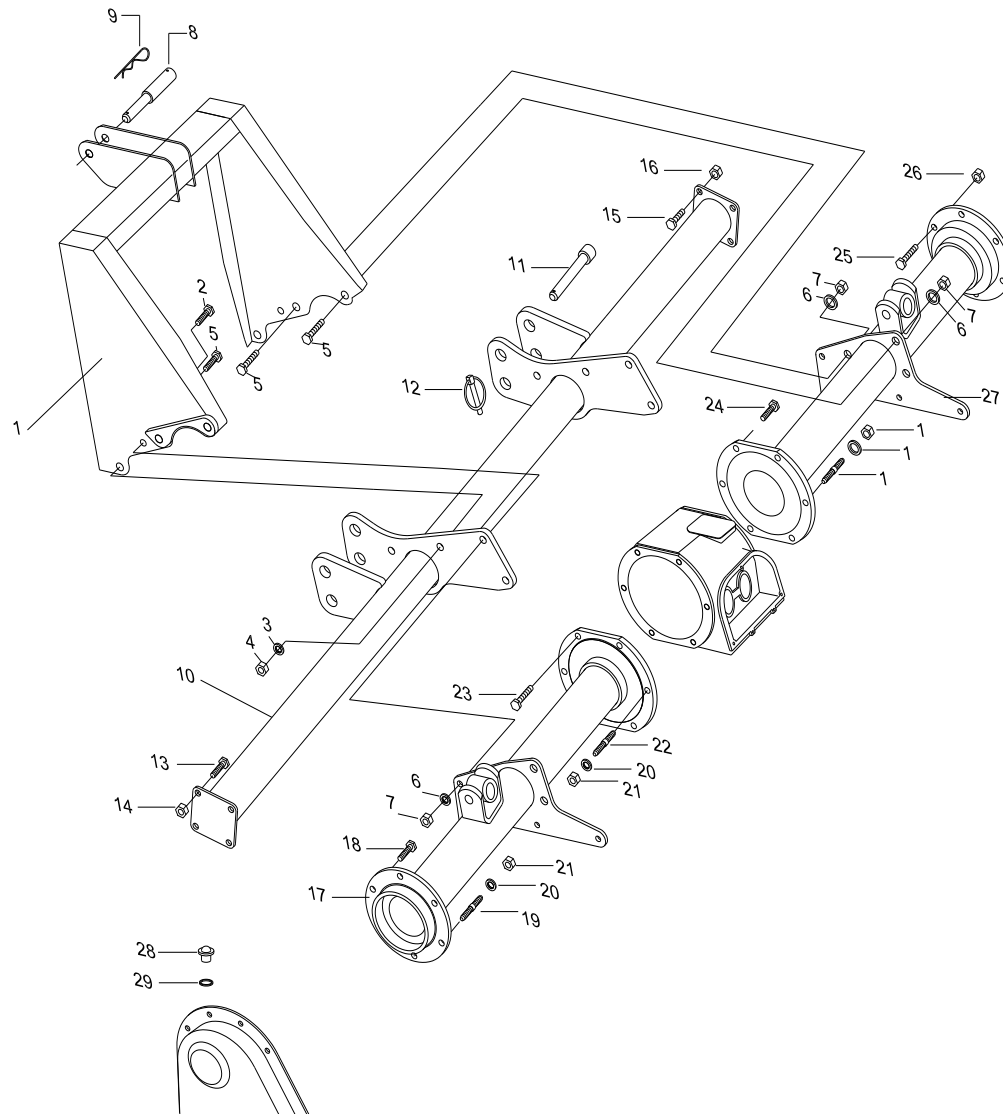
PART CATALOGUE

GM102

FRAME GROUP

Year/Month

2014 / 12



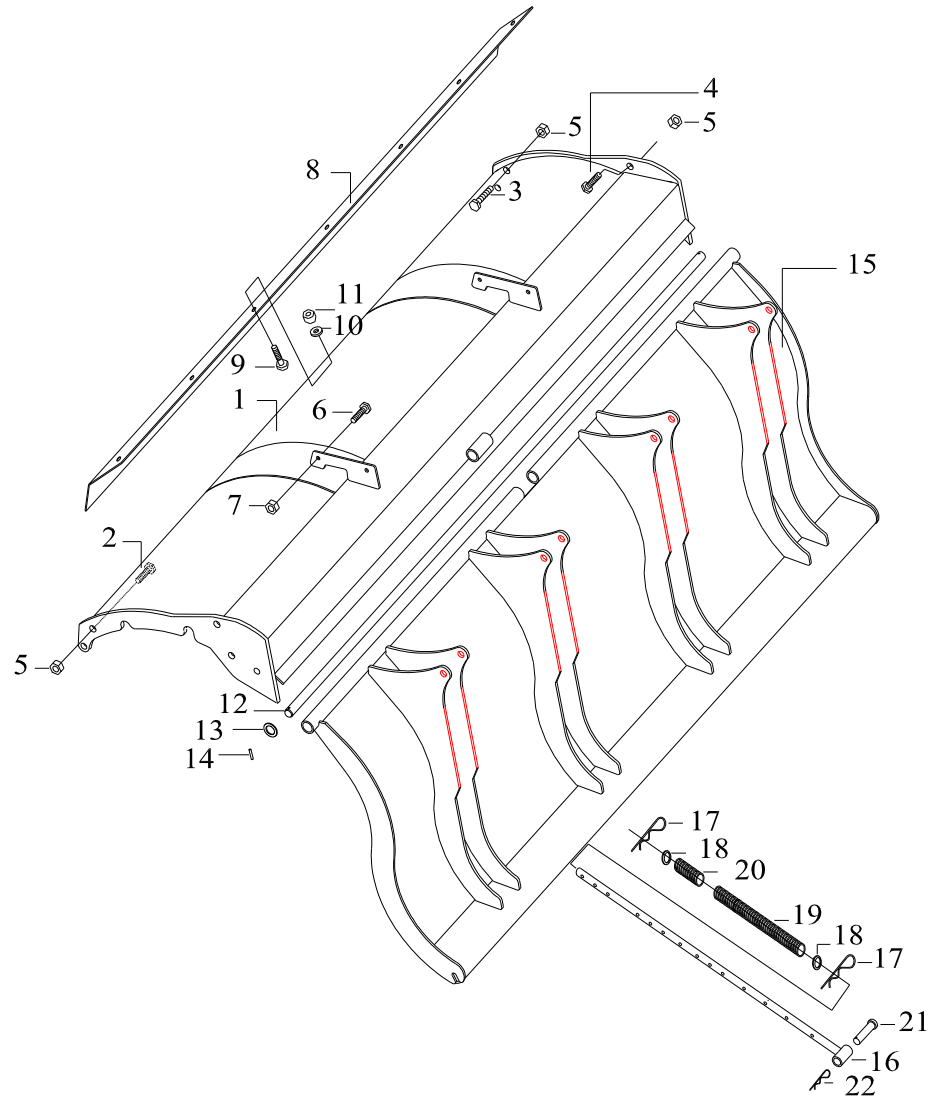
GM102				FRAME GROUP										
Revision 0				Revision 1						Revision 2				
Ref No	Part No	DESCRIPTION	MODEL		Ref. No.	Part No.	DESCRIPTION	MODEL		Ref. No.	Part No.	DESCRIPTION	MODEL	
			GM102					GM102	0				GM102	0
1	2100-700001	Master	1		1	M102-700100	Master	1		1	M102-700100	Master	1	
2	2100-700002	Stay	1											
3	0310-016130	Bolt	1											
4	1310-016095	Bolt	1		2	0310-016040	Bolt	2		2	0310-016040	Bolt	2	
					3	0931-016000	Washer, Spring	2		3	0931-016000	Washer, Spring	2	
5	0410-016000	Nut	2		4	0423-016000	Nut	2		4	0423-016000	Nut	2	
6	2100-700002	Stay	1											
7	0310-016055	Bolt	2		5	0310-016055	Bolt	6		5	0310-016055	Bolt	6	
8	0410-016000	N,Nut	2											
					6	0931-016000	Washer, Spring	6		6	0931-016000	Washer, Spring	6	
					7	0423-016000	Nut	6		7	0423-016000	Nut	6	
9	1800-600003	Pin, Top Link	1		8	1731-500003	Pin, Top Link	1		8	1731-500003	Pin, Top Link	1	
10	1109-319000	Pin, R-Shape	1		9	0832-200050	Pin, R-Shape	1		9	0832-200050	Pin, R-Shape	1	
11	2500-700004	Pipe, Hitch	1		10	2500-700004	Pipe, Hitch	1		10	2500-700004	Pipe, Hitch	1	
12	1800-600006	Pin, Lower Link	2		11	1800-600006	Pin, Lower Link	2		11	1800-600006	Pin, Lower Link	2	
13	1461-306000	Pin, Ring	2		12	1461-306000	Pin, Ring	2		12	1461-306000	Pin, Ring	2	
14	0310-012035	Bolt	4		13	0310-012035	Bolt	4		13	0310-012035	Bolt	4	
15	0410-012000	Nut, Nylon	4		14	0410-012000	Nylon Nut	4		14	0410-012000	Nylon Nut	4	
16	0310-012035	Bolt	4		15	0310-012035	Bolt	4		15	0310-012035	Bolt	4	
17	0410-012000	Nut, Nylon	4		16	0410-012000	Nylon Nut	4		16	0410-012000	Nylon Nut	4	
18	0310-016050	Bolt	4											
19	0410-016000	Nut, Nylon	4											
20	2500-700005	Pipe LH, Frame	1		17	2500-700005	Pipe LH, Frame	1		17	2500-700005	Pipe LH, Frame	1	
21	0321-012028	Bolt w/washer	4		18	0327-012028	Bolt w/washer	4		18	0327-012028	Bolt w/washer	4	
22	1331-127000	Stud B	2		19	1331-127000	Stud B	2		19	1331-127000	Stud B	2	
23	0931-012000	Washer, Spting	8		20	0931-012000	Washer, Spting	8		20	0931-012000	Washer, Spting	8	
24	0421-012000	Nut	8		21	0421-012000	Nut	8		21	0421-012000	Nut	8	
25	1331-126000	Stud A	6		22	1331-126000	Stud A	6		22	1331-126000	Stud A	6	
26	0321-012035	Bolt w/washer	4		23	0327-012035	Bolt w/washer	4		23	0327-012035	Bolt w/washer	4	
27	0321-012035	Bolt w/washer	4		24	0327-012035	Bolt w/washer	4		24	0327-012035	Bolt w/washer	4	
28	0310-012035	Bolt	6		25	0310-012035	Bolt	6		25	0310-012035	Bolt	6	
29	0410-012000	Nut, Nylon	6		26	0410-012000	Nylon Nut	6		26	0410-012000	Nylon Nut	6	
30	2100-700003	bracket, Master	1											
31	0321-012030	Bolt	4											
32	0931-012000	Washer, Spting	4											
33	2500-700006	Pipe RH, Frame	1		27	2500-700006	Pipe RH, Frame	1		27	2500-700006	Pipe RH, Frame	1	
34	2131-302000	Cap Filling	1		28	2131-302000	Cap Filling	1		28	2131-302000	Cap Filling	1	
Serial No	M020001 ~ M020039				Serial No	M020001C ~ M020034C				Serial No	M020035C ~			

GM102

COVER GROUP

Year/Month

2014 / 12



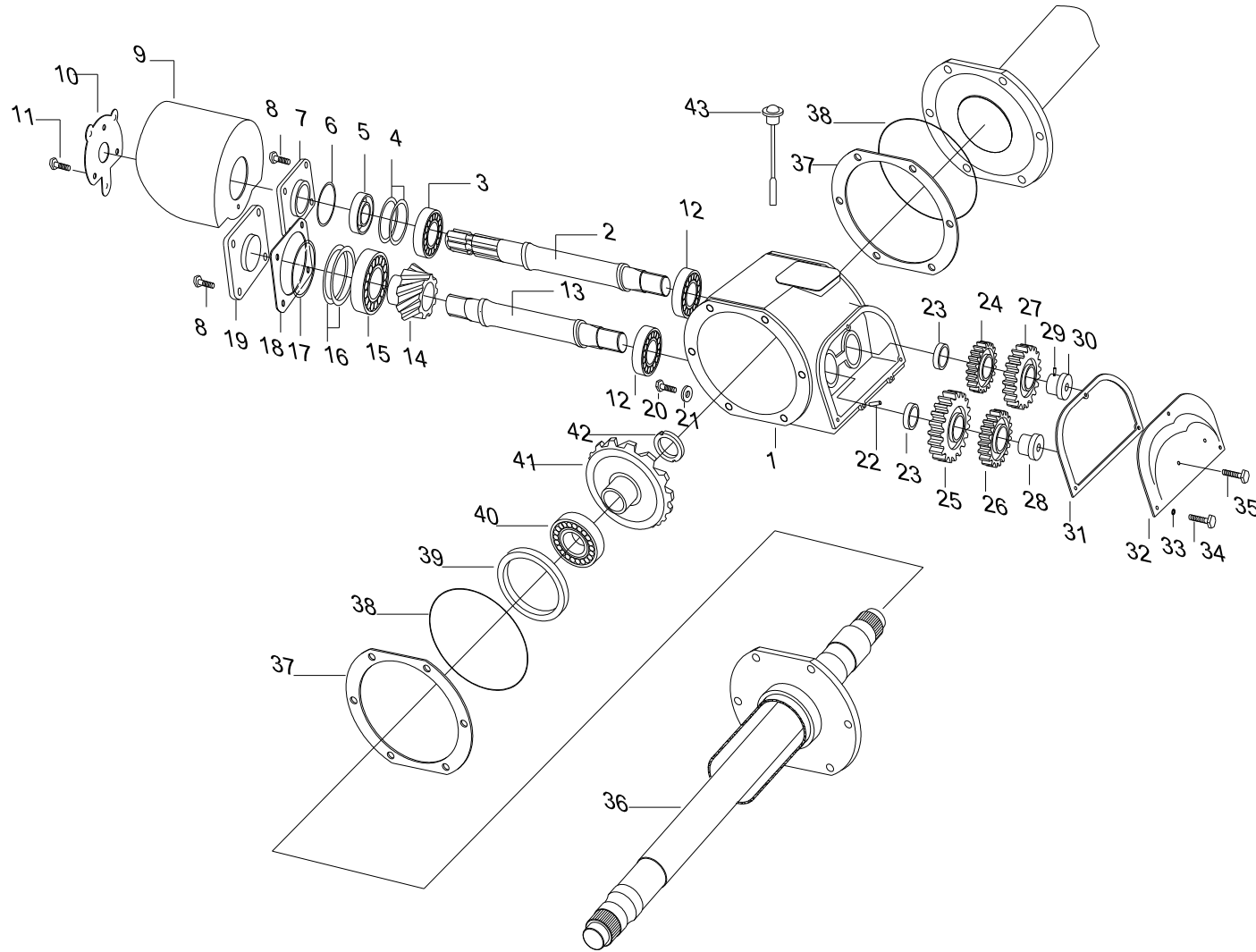
GM102					COVER GROUP									
Revision 0					Revision 1					Revision 2				
Ref No	Part No	DESCRIPTION	Model		Ref. No.	Part No.	DESCRIPTION	Model		Ref. No.	Part No.	DESCRIPTION	Model	
			GM102	0				GM102	0				GM102	0
1	2500-700007	Cover, Tilliage	1		1	2500-700007	Cover, Tilliage	1		1	2500-700007	Cover, Tilliage	1	
2	0310-012030	Bolt	1		2	0310-012030	Bolt	1		2	0310-012030	Bolt	1	
3	0321-012035	Bolt	2		3	0310-012035	Bolt	2		3	0310-012035	Bolt	2	
4	0310-012035	Bolt	4		4	0310-012035	Bolt	4		4	0310-012035	Bolt	4	
5	0410-012000	Nut, Nylon	7		5	0410-012000	Nylon Nut	7		5	0410-012000	Nylon Nut	7	
6	0310-012040	Bolt	4		6	0310-012040	Bolt	4		6	0310-012040	Bolt	4	
7	0410-012000	Nut, Nylon	4		7	0410-012000	Nylon Nut	4		7	0410-012000	Nylon Nut	4	
8	2500-700008	Cover, Front	1		8	2500-700008	Cover, Front	1		8	2500-700008	Cover, Front	1	
9	0310-010020	Bolt	6		9	0322-010020	Bolt	6		9	0322-010020	Bolt	6	
10	0931-010000	Washer, Spring	6		10	0931-010000	Washer, Spring	6		10	0931-010000	Washer, Spring	6	
11	0410-010000	Nut	6		11	0422-010000	Nut	6		11	0422-010000	Nut	6	
12	2500-700009	Rod, Connection	1		12	2500-700009	Rod, Connection	1		12	2500-700009	Rod, Connection	1	
13	0930-014000	Washer, Spring	1		13	0930-014000	Washer	1		13	0930-014000	Washer	1	
14	0832-102222	Pin, Split	1		14	0832-102222	Pin, Split	1		14	0832-102222	Pin, Split	1	
15	2500-700010	Plate, Balance	1		15	2500-700010	Plate, Balance	1		15	2500-700010	Plate, Balance	1	
16	2100-700011	Rod	4		16	2100-700011	Rod	4		16	2100-700011	Rod	4	
17	1109-319000	Pin, R-Shape	8		17	0832-200050	Pin, R-Shape	8		17	0832-200050	Pin, R-Shape	8	
18	0930-022000	Washer, Plain	8		18	0930-022000	Washer	8		18	0930-022000	Washer	8	
19	1331-311000	Spring, Tension	4		19	1331-311000	Spring, Tension	4		19	1331-311000	Spring, Tesnsion 1	4	
20	1331-313000	Spring, Bumper	4		20	1331-313000	Spring, Bumper	4		20	1331-313000	Spring, Tesnsion 2	4	
21	0851-012080	Pin,	4		21	0851-013080	Pin	4		21	0851-013080	Pin	4	
22	0832-103222	Pin, Split	4		22	0832-103222	Pin, Split	4		22	0832-103222	Pin, Split	4	
Serial No	M020001 ~ M020039				Serial No	M020001C ~ M020034C				Serial No	M020035C ~			

GM102

TRANSMISSION GROUP

Year/Month

2014 / 12



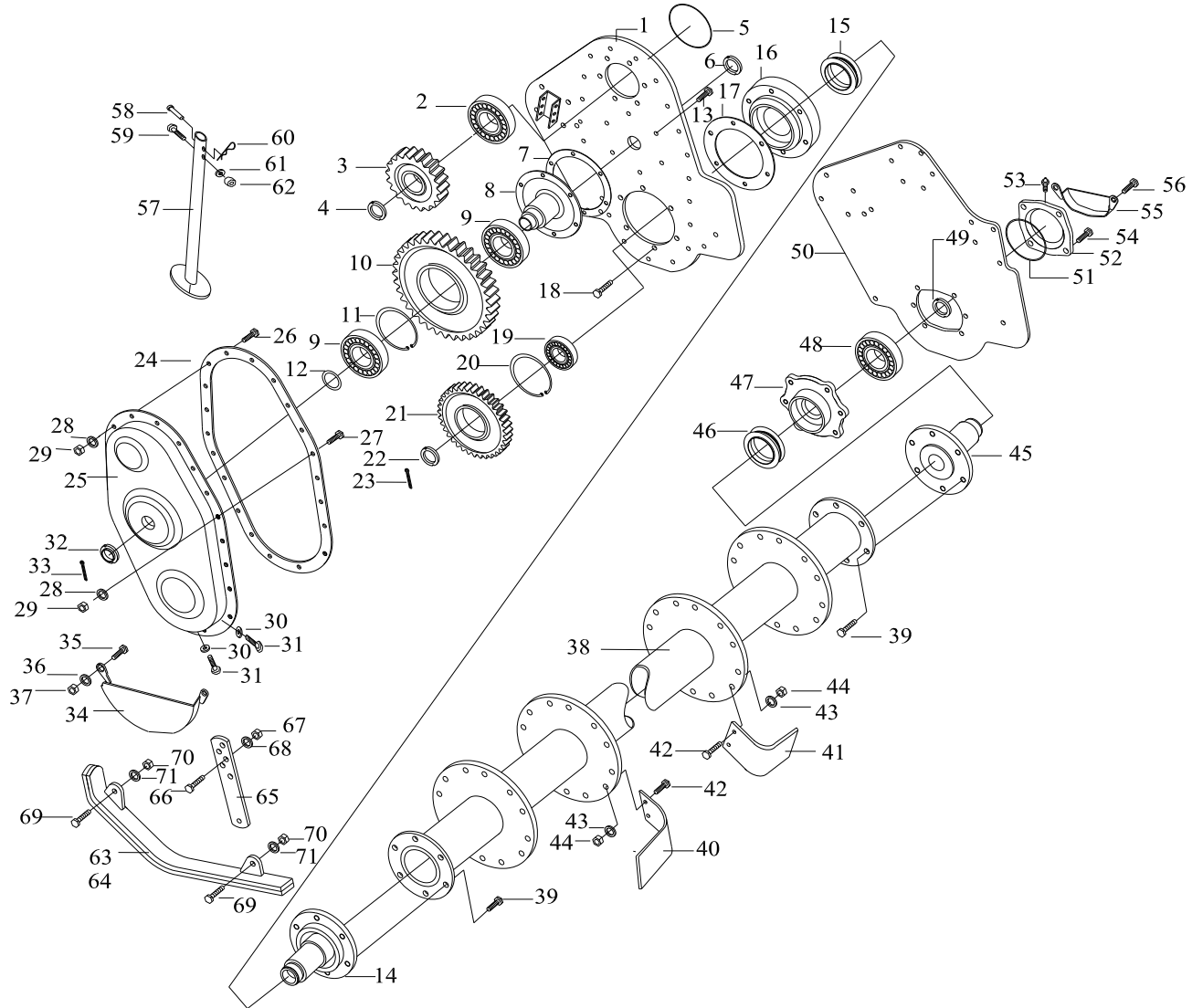
GM102					TRANSMISSION GROUP									
Revision 0					Revision 1					Revision 2				
Ref No	Part No	DESCRIPTION	Model		Ref. No.	Part No.	DESCRIPTION	Model		Ref. No.	Part No.	DESCRIPTION	Model	
			GM102	0				GM102	0				GM102	0
1	2100-700012	Case, Mission	1		1	2100-700012	Case, Mission	1		1	2100-700012	Case, Mission	1	
2	2100-700013	Shaft, Input	1		2	2100-700013	Shaft, Input	1		2	2100-700013	Shaft, Input	1	
3	0120-030308	Bearing, Roller	1		3	0120-030308	Bearing,Taper	1		3	0120-030308	Bearing,Taper	1	
4	1501-103000	Shim	2		4	1501-103000	Shim	2		4	1501-103000	Shim	2	
5	0250-406211	Seal, Oil	1		5	0240-406211	Seal, Oil	1		5	0240-406211	Seal, Oil	1	
6	0910-300090	O-Ring	1		6	0910-300090	O-Ring	1		6	0910-300090	O-Ring	1	
7	2100-700014	Cover, Input Shaft	1		7	2100-700014	Cover, Input Shaft	1		7	2100-700014	Cover, Input Shaft	1	
8	0327-010030	Bolt w/washer	8		8	0327-010030	Bolt w/washer	8		8	0327-010030	Bolt w/washer	8	
9	1731-500018	Cover, Safety	1		9	1731-500018	Cover, Safety	1		9	1731-500018	Cover, Safety	1	
10	1731-500019	bracket, Cover	1		10	1731-500019	bracket, Cover	1		10	1731-500019	bracket, Cover	1	
11	0327-008014	Bolt w/washer	3		11	0327-008014	Bolt w/washer	3		11	0327-008014	Bolt w/washer	3	
12	0120-032210	Bearing, Roller	2		12	0120-032210	Bearing,Taper	2		12	0120-032210	Bearing,Taper	2	
13	2100-700015	Shaft, Shifter	1		13	2100-700015	Shaft, Shifter	1		13	2100-700015	Shaft, Shifter	1	
14	2100-700016	Gear, Bevel	1		14	2100-700016	15T Gear, Bevel	1		14	2100-700016	15T Gear, Bevel	1	
15	0120-030313	Bearing, Roller	1		15	0120-030313	Bearing,Taper	1		15	0120-030313	Bearing,Taper	1	
16	1501-112000	Shim	2		16	1501-112000	Shim	2		16	1501-112000	Shim	2	
17	0910-300140	O-Ring	1		17	0910-300140	O-Ring	1		17	0910-300140	O-Ring	1	
18		Packing, Cover, Shift S	1		18	2100-700017-	Packing, Cover, Shift Shaft	1		18				
19	2100-700017	Cover, Shift Shaft	1		19	2100-700017	Cover, Shift Shaft	1		19	2100-700017	Cover, Shift Shaft	1	
20	0321-010014	Bolt, Plug	1		20	0321-010014	Bolt	1		20	0321-010014	Bolt	1	
21	0920-010000	Washer, Packing	1		21	0920-010000	Washer, Packing	1		21	0920-010000	Washer, Packing	1	
22	0831-010056	Pin, Spring	2		22	0831-010056	Pin, Spring	2		22	0831-010056	Pin, Spring	2	
23	2100-700018	Collar	2		23	2100-700018	Collar	2		23	2100-700018	Collar	2	
24	2100-700019	25T, Gear, Spur	1		24	2100-700019	25T, Gear, Spur	1		24	2100-700019	25T, Gear, Spur	1	
25	2100-700020	28T, Gear, Spur	1		25	2100-700020	28T, Gear, Spur	1		25	2100-700020	28T, Gear, Spur	1	
26	2100-700021	23T, Gear, Spur	1		26	2100-700021	23T, Gear, Spur	1		26	2100-700021	23T, Gear, Spur	1	
27	2100-700022	30T, Gear, Spur	1		27	2100-700022	30T, Gear, Spur	1		27	2100-700022	30T, Gear, Spur	1	
28	2100-700023	Holder A, Gear	1		28	2100-700023	Holder A, Gear	1		28	INCLUDING REF NO. 32			
29	2100-700025	Pin, Spring	1		29	0831-104025	Pin, Spring	1		29	0831-104025	Pin, Spring	1	
30	2100-700024	Holder B, Gear	1		30	2100-700024	Holder B, Gear	1		30	INCLUDING REF NO. 32			
31	1501-115000	packing, Mission Cover	1		31	1501-115000	packing, Mission Cover	1		31	1501-115000	packing, Mission Cover	1	
32	2100-700025	Coveer, Mission Case	1		32	2100-700025	Cover, Mission Case	1		32	2100-700025	Cover, Mission Case	1	
33	0931-010000	Washer, Packing	3		33	0931-010000	Washer, Spring	3		33	0931-010000	Washer, Spring	3	
34	0354-010030	Bolt	3		34	0321-010030	Bolt	3		34	0321-010030	Bolt	3	
35	0327-012040	Bolt w/washer	2		35	0327-012040	Bolt w/washer	2		35	0327-012040	Bolt w/washer	2	
36	2500-700026	Shaft, Driver	1		36	2500-700026	Shaft, Driver	1		36	2500-700026	Shaft, Driver	1	
37	1501-118000	Shim, Mission Case	2		37	1501-118000	Shim, Mission Case	2		37	1501-118000	Shim, Mission Case	2	
38	0910-300200	O-Ring	2		38	0910-300200	O-Ring	2		38	0910-300200	O-Ring	2	
39	0250-709207	Seal, Oil	1		39	0240-709207	Seal, Oil	1		39	0240-709207	Seal, Oil	1	
40	0120-030214	Bearing, Roller	1		40	0120-030214	Bearing,Taper	1		40	0120-030214	Bearing,Taper	1	
41	2100-700027	gear, Bevel	1		41	2100-700027	27T gear, Bevel	1		41	2100-700027	27T gear, Bevel	1	
42	1172-118000	Nut	1		42	1172-118000	M48 Nut	1		42	1172-118000	M48 Nut	1	
43	1501-106000	Gauge, Oil	1		43	1501-106000	Gauge, Oil	1		43	1501-019500	Gauge, Oil	1	
Serial No	M020001 ~ M020039				Serial No	M020001C ~ M020034C				Serial No	M020035C ~			

GM102

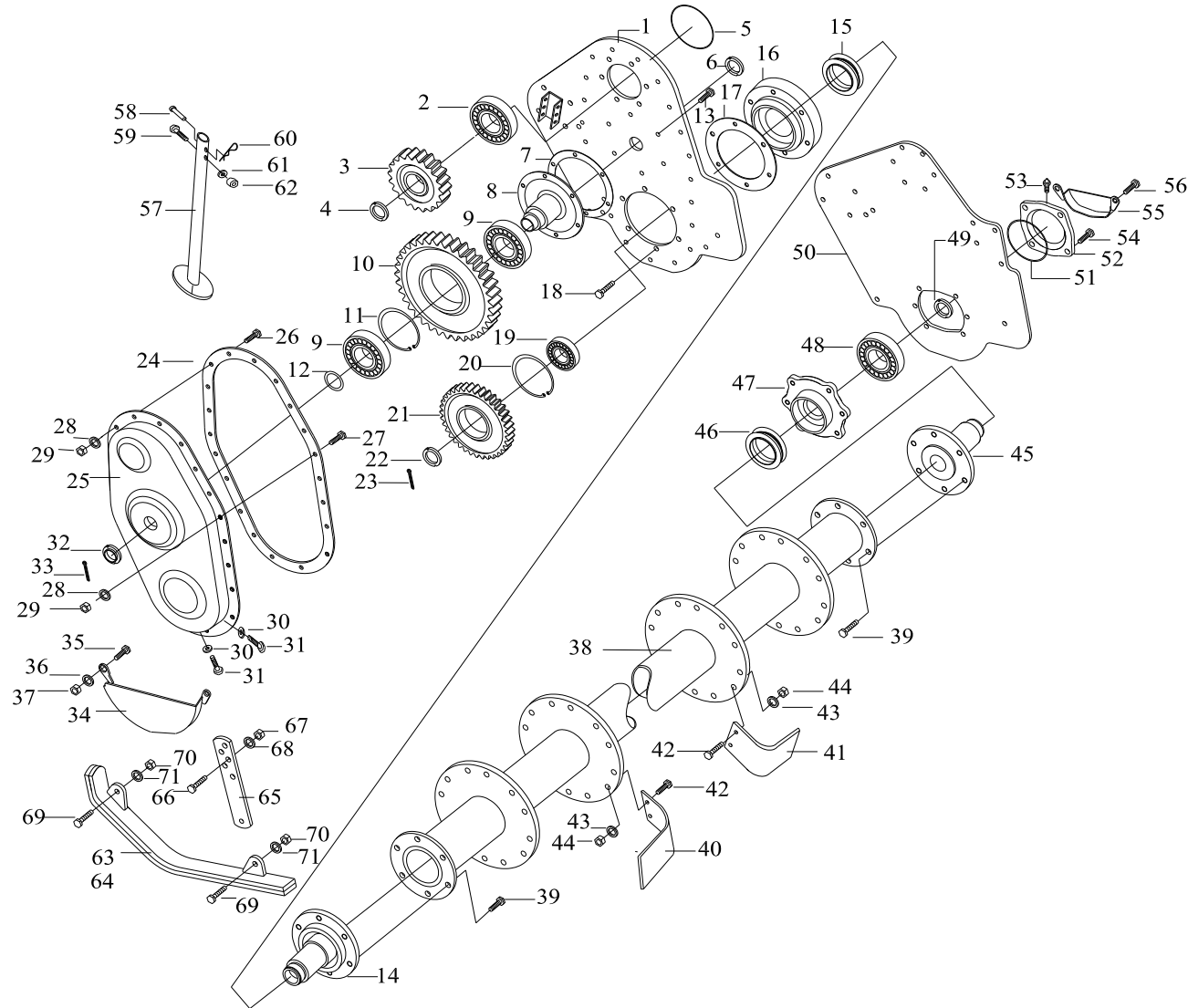
SIDE GEAR GROUP 1

Year/Month

2014 / 12



GM102					SIDE GEAR GROUP 1									
Revision 0					Revision 1					Revision 2				
Ref No	Part No	DESCRIPTION	Model		Ref. No.	Part No.	DESCRIPTION	Model		Ref. No.	Part No.	DESCRIPTION	Model	
			GM102	0				GM102	0				GM102	0
1	2100-700028	Plate, Side Gear	1		1	2100-700028	Plate, Side Gear	1		1	2100-700028	Plate, Side Gear	1	
2	0120-030311	Bearing, Taper	1		2	0120-030311	Bearing, Taper	1		2	0120-030311	Bearing, Taper	1	
3	2100-700029	Gear, Spur	1		3	2100-700029	18T Gear, Spur	1		3	2100-700029	18T Gear, Spur	1	
4	1109-156000	Nut	1		4	1109-156000	M42 Nut	1		4	1109-156000	M42 Nut	1	
5	0910-300135	O-Ring	1		5	0910-300135	O-Ring	1		5	0910-300135	O-Ring	1	
6	1331-123001	M38 Nut	1		6	1331-123000	M38 Nut	1		6	1331-123000	M38 Nut	1	
7	0820-114000	Pin, Gear(Packing)	1		7	0820-114000	Pin, Gear(Packing)	1		7	0820-114000	Pin, Gear(Packing)	1	
8	1731-500029	Pin, Gear	1		8	1731-500029	Pin, Gear	1		8	1731-500029	Pin, Gear	1	
9	0121-006213	Bearing, Ball	2		9	0121-006213	Bearing, Ball	2		9	0121-006213	Bearing, Ball	2	
10	2100-700030	35T Gear, Spur	1		10	2100-700030	35T Gear, Spur	1		10	2100-700030	35T Gear, Spur	1	
11	0800-200120	Ring, Snap	2		11	0800-200120	Ring, Snap	2		11	0800-200120	Ring, Snap	2	
12	0910-000045	O-Ring	1		12	0910-000045	O-Ring	1		12	0910-000045	O-Ring	1	
13	0321-010030	Bolt w/washer	6		13	0327-010030	Bolt w/washer	6		13	0327-010030	Bolt w/washer	6	
14	2100-700036	Shaft, Spline	1		14	2100-700036	Shaft, Spline	1		14	2100-700036	Shaft, Spline	1	
15	0251-000770	Seal, Group	1		15	0251-000770	Seal, Group	1		15	0251-000770	Seal, Group	1	
16	2100-700035	Boss, Tillage Shaft	1		16	2100-700035	Boss, Tillage Shaft	1		16	2100-700035	Boss, Tillage Shaft	1	
17	2100-700034	Packing, Boss	1		17	2100-700034	Packing, Boss	1		17	2100-700034	Packing, Boss	1	
18	0321-012030	Bolt w/washer	6		18	0327-012030	Bolt w/washer	6		18	0327-012030	Bolt w/washer	6	
19	0122-022213	Bearing, Roller	1		19	0122-022213	Bearing, Roller	1		19	0122-022213	Bearing, Roller	1	
20	0800-000120	Ring, Snap	1		20	0800-200120	Ring, Snap	1		20	0800-200120	Ring, Snap	1	
21	2100-700031	Gear, Spur	1		21	2100-700031	28T Gear, Spur	1		21	2100-700031	28T Gear, Spur	1	
22	1520-109000	Nut	1		22	1520-109000	M52 Nut	1		22	1520-109000	M52 Nut	1	
23	0832-103265	Pin, Split	1		23	0832-103265	Pin, Split	1		23	0832-103265	Pin, Split	1	
24	0820-115000	Packing, Side Gear	1		24	0820-115000	Packing, Side Gear	1		24	0820-115000	Packing, Side Gear	1	
25	2100-700032	Cover, Side Gear	1		25	2100-700032	Cover, Side Gear	1		25	2100-700032	Cover, Side Gear	1	
26	0321-010030	Bolt	15		26	0321-010030	Bolt	15		26	0321-010030	Bolt	15	
27	0321-010035	Bolt	2		27	0321-010035	Bolt	2		27	0321-010035	Bolt	2	
28	0931-010000	Washer, Spring	17		28	0931-010000	Washer, Spring	17		28	0931-010000	Washer, Spring	17	
29	0410-010000	Nut	17		29	0421-010000	Nut	17		29	0421-010000	Nut	17	
30	0321-010014	Bolt	2		30	0321-010014	Bolt	2		30	0321-010014	Bolt	2	
31	0920-010000	Washer, Packing	2		31	0920-010000	Washer, Packing	2		31	0920-010000	Washer, Packing	2	
					32	1331-123001	M38 Nut	1		32	1331-123001	M38 Nut	1	
					33	0832-103265	Pin, Split	1		33	0832-103265	Pin, Split	1	
32	2100-700023	Cover, Frame	1		34	2100-700033	Cover, Frame	1		34	2100-700033	Cover, Frame	1	
33	0310-012030	Bolt	2		35	0310-012030	Bolt	2		35	0310-012030	Bolt	2	
34	0931-012000	Washer, Spring	2		36	0931-012000	Washer, Spring	2		36	0931-012000	Washer, Spring	2	
35	0410-012000	Nut	2		37	0410-012000	Nut	2		37	0423-012000	Nut	2	
Serial No	M020001 ~ M020039				Serial No	M020001C ~ M020034C				Serial No	M020035C ~			



GM102					SIDE GEAR GROUP 2									
Revision 0					Revision 1					Revision 2				
Ref No	Part No	DESCRIPTION	Model		Ref.No.	Part No.	DESCRIPTION	Model		Ref.No.	Part No.	DESCRIPTION	Model	
			GM102	0				GM102	0				GM102	0
36	2500-700037	Shaft, Tillage	1		38	2500-700037	Shaft, Tillage	1		38	2500-700037	Shaft, Tillage	1	
37	0310-014030	Bolt w/washer	12		39	0327-014030	Bolt w/washer	12		39	0327-014030	Bolt w/washer	12	
38	1780-519000	Balde, LH	30		40	1780-519000	Blade, LH	30		40	1780-519000	Blade, LH	30	
39	1780-519001	Blade, RH	30		41	1780-519001	Blade, RH	30		41	1780-519001	Blade, RH	30	
40	0310-014040	Bolt	120		42	0310-014040	Bolt	120		42	0322-014045	Bolt	120	
41	0931-014000	Washer, Spring	120		43	0931-014000	Washer, Spring	120		43	0931-014000	Washer, Spring	120	
42	0410-014000	Nut	120		44	0423-014000	Nut	120		44	0422-014000	Nut	120	
43	2100-700038	Shaft, RH	1		45	2100-700038	Shaft, RH	1		45	2100-700038	Shaft, RH	1	
44	0121-006309	Bearing, Ball	1											
45	0251-000550	Seal, Group	1		46	0251-000550	Seal, Group	1		46	0251-000550	Seal, Group	1	
46	2100-700039	Boss RH, Tilliage	1		47	2100-700039	Boss RH, Tilliage	1		47	2100-700039	Boss RH, Tilliage	1	
					48	0121-006309	Bearing, Ball	1		48	0121-006309	Bearing, Ball	1	
47	1109-156000	Nut	1		49	1109-156000	M42 Nut	1		49	1109-156000	M42 Nut	1	
48	2100-700040	Bracket	1		50	2100-700040	Bracket	1		50	2100-700040	Bracket	1	
49	0910-300100	O-Ring	1		51	0910-300100	O-Ring	1		51	0910-300100	O-Ring	1	
50	2100-700041	Cover, Boss	1		52	2100-700041	Cover, Boss	1		52	2100-700041	Cover, Boss	1	
51	0321-008015	Bolt	1											
52	0321-010020	Bolt	4											
					53	0321-041000	Grease Nipple	1		53	0321-041000	Grease Nipple	1	
					54	0327-010020	Bolt w/washer	4		54	0327-010020	Bolt w/washer	4	
53	2100-700042	Guard,Bracket	1		55	2100-700042	Guard,Bracket	1		55	2100-700042	Guard,Bracket	1	
54	0321-012040	Bolt	6		56	0327-012040	Bolt w/washer	2		56	0327-012040	Bolt w/washer	2	
55	2100-700034	Stand	1		57	2100-700043	Stand	1		57	2100-700043	Stand	1	
56	0851-010055	Pin,	1		58	0851-010055	Pin	1		58	0851-010055	Pin	1	
57	0310-010055	Bolt	1		59	0322-010055	Bolt	1		59	0322-010055	Bolt	1	
58	1109-020000	Pin, R-Shape	1		60	0832-200035	Pin, R-Shape	1		60	0832-200035	Pin, R-Shape	1	
59	0931-010000	Washer, Spring	1		61	0931-010000	Washer, Spring	1		61	0931-010000	Washer, Spring	1	
60	0410-010000	Nut	1		62	0422-010000	Nut	1		62	0422-010000	Nut	1	
61	2200-700044	Skid, LH	1		63	2200-700044	Skid, LH	1		63	2200-700044	Skid, LH	1	
62	2200-700045	Skid, RH	1		64	2200-700045	Skid, RH	1		64	2200-700045	Skid, RH	1	
63	1731-500040	Bracket , Skid	2		65	1731-500040	Bracket , Skid	2		65	1731-500040	Bracket , Skid	2	
64	0310-012030	Bolt	2		66	0310-012030	Bolt	2		66	0310-012030	Bolt	2	
65	0410-012000	Nut	2		67	0410-012000	Nut	2		67	0423-012000	Nut	2	
66	0931-012000	Washer, Spring	2		68	0931-012000	Washer, Spring	2		68	0931-012000	Washer, Spring	2	
67	0321-012040	Bolt	4		69	0321-012040	Bolt	4		69	0321-012040	Bolt	4	
68	0410-012000	Nut	4		70	0410-012000	Nut	4		70	0423-012000	Nut	4	
69	0931-012000	Washer, Spring	4		71	0931-012000	Washer, Spring	4		71	0931-012000	Washer, Spring	4	
Serial No	M020001 ~ M020039				Serial No	M020001C ~ M020034C				Serial No	M020035C ~			