



TILLER MODEL YJR062

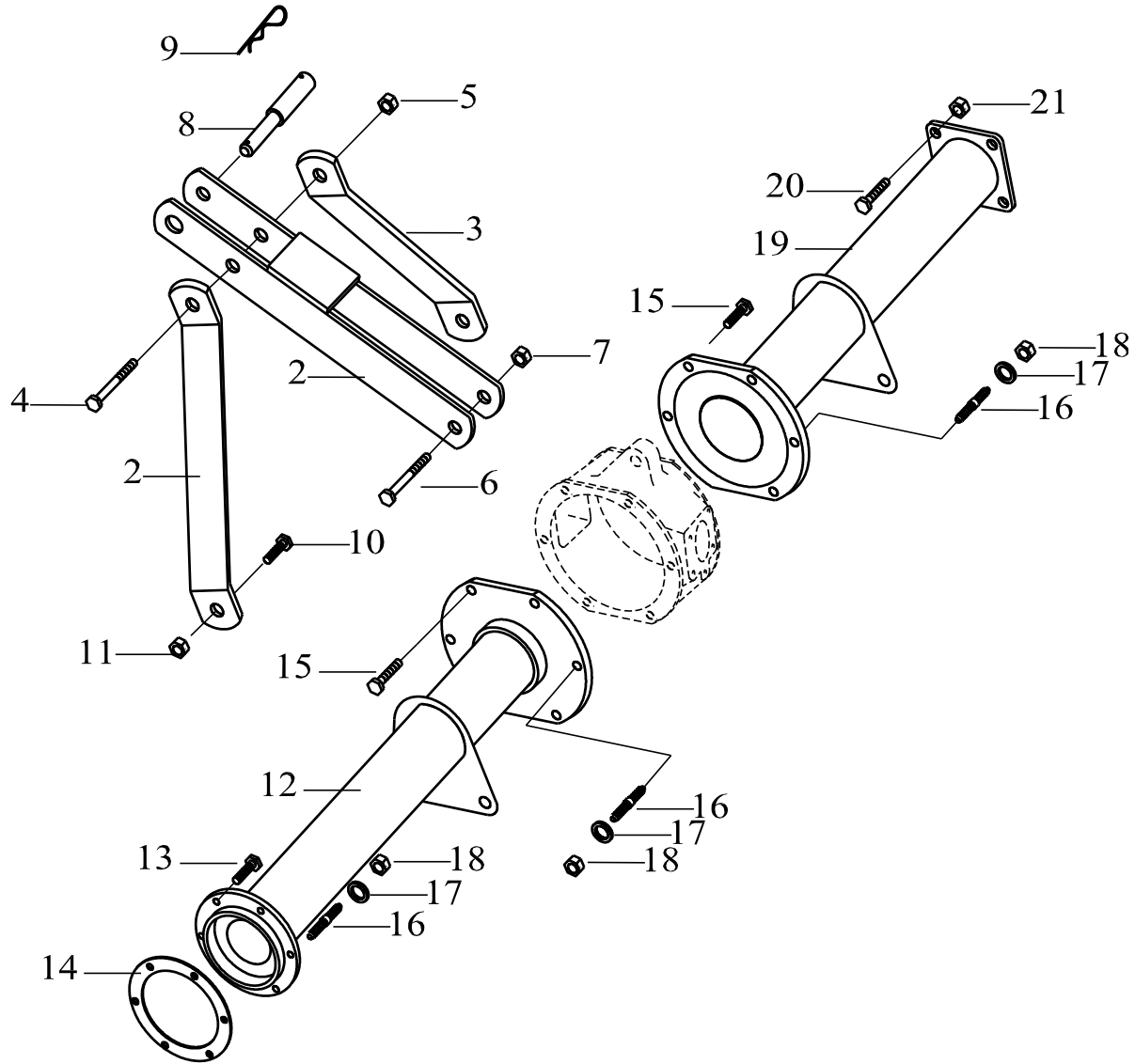
PART CATALOGUE

YJR062

FRAME GROUP

Year/Month

2014 / 12



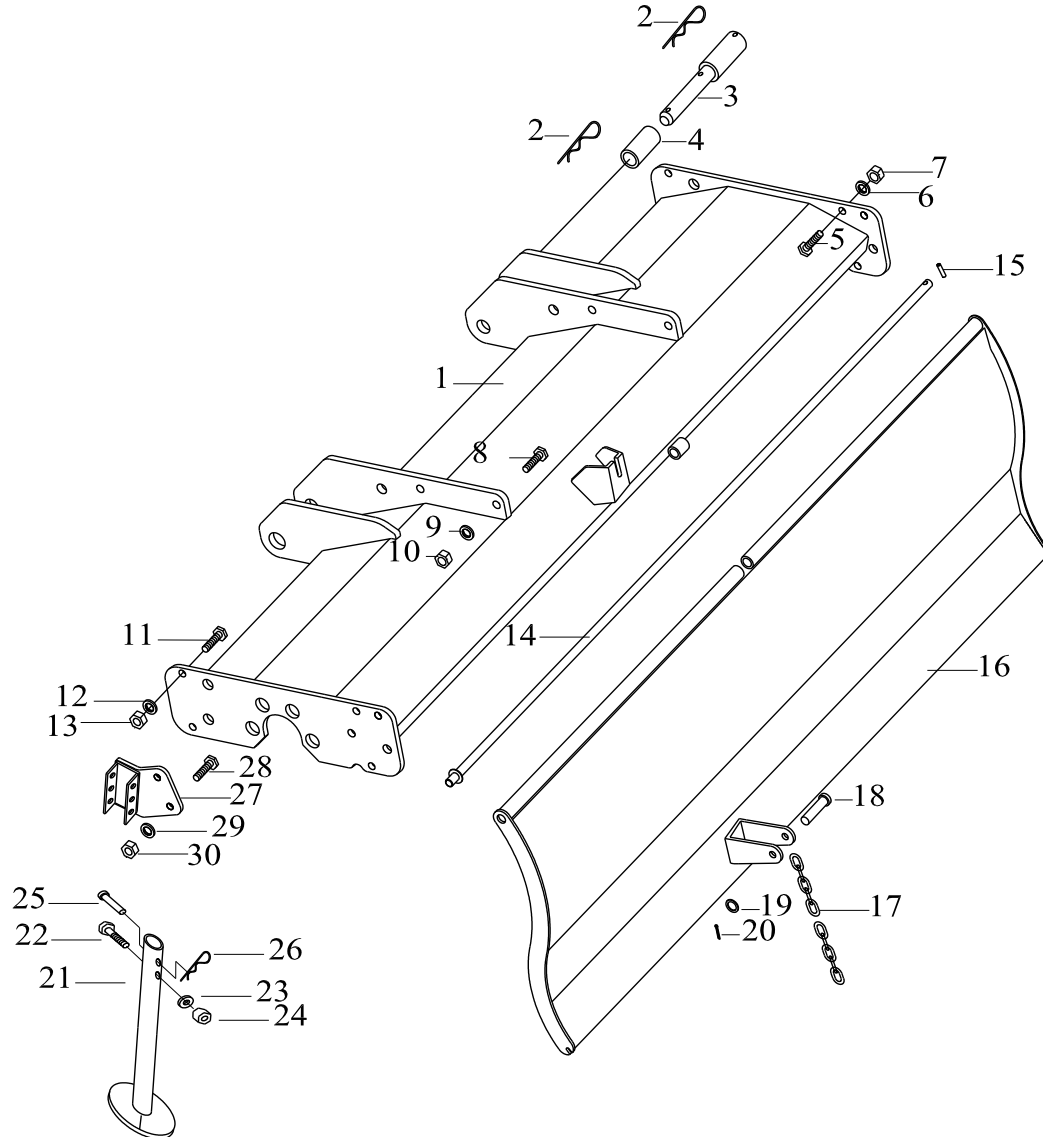
YJR062				FRAME GROUP										
Revision 0				Revision 1					Revision 2					
Ref No	Part No	DESCRIPTION	MODEL		Ref. No.	Part No.	DESCRIPTION	MODEL		Ref. No.	Part No.	DESCRIPTION	MODEL	
			YJR060					YJR062					YJR062	
1	1520-104000	Master	1		1	1520-104000	Master	1		1	1520-104000	Master	1	
2	1520-105000	Stay	2		2	1520-105000	Stay	2		2	1520-105000	Stay	1	
3					3			3		3	1520-105000	Stay	1	
4	0310-016120	Bolt	1		4	0310-016120	Bolt	1		4	0310-016120	Bolt	1	
5	0410-016000	Nut	1		5	0410-016000	Nylon Nut	1		5	0410-016000	Nylon Nut	1	
6	1310-016095	Bolt	1		6	0310-016095	Bolt	1		6	0310-016095	Bolt	1	
7	0410-016000	Nut	1		7	0410-016000	Nylon Nut	1		7	0410-016000	Nylon Nut	1	
8	1731-500003	Pin, Top Link	1		8	1731-500003	Pin, Top Link	1		8	1731-500003	Pin, Top Link	1	
9	1109-319000	Pin, R-Shape	1		9	0832-200050	Pin, R-Shape	1		9	0832-200050	Pin, R-Shape	1	
10	0310-016040	Bolt	2		10	0310-016040	Bolt	2		10	0310-016040	Bolt	2	
11	0410-016000	N,Nut	2		11	0410-016000	Nylon Nut	2		11	0410-016000	Nylon Nut	2	
12	1520-102000	Pipe, Frame LH	1		12	1520-102000	Pipe, Frame LH	1		12	1520-102000	Pipe, Frame LH	1	
13	0321-012025	Bolt w/washer	4		13	0327-012025	Bolt w/washer	4		13	0327-012025	Bolt w/washer	4	
14	1390-117020	Packing	1		14	1390-117020	Packing	1		14	1390-117020	Packing	1	
15	0321-012030	Bolt w/washer	14		15	0327-012030	Bolt w/washer	8		15	0327-012030	Bolt w/washer	8	
16	1331-126000	Bolt, Stud	6		16	1331-126000	Bolt, Stud	6		16	1331-126000	Bolt, Stud	6	
17	0931-012000	Washer, Spring	6		17	0931-012000	Washer, Spring	6		17	0931-012000	Washer, Spring	6	
18	0410-012000	Nut	6		18	0410-012000	Nut	6		18	0410-012000	Nut	6	
19	1520-103000	Pipe, Frame RH	1		19	1520-103000	Pipe, Frame RH	1		19	1520-103000	Pipe, Frame RH	1	
					20	0310-012032	Bolt	4		20	0310-012032	Bolt	4	
20	0410-012000	Nut	6		21	0410-012000	Nylon Nut	4		21	0410-012000	Nylon Nut	4	
Serial No	Y600001 ~ Y600085 R620001 ~ R620199				Serial No	R620200 ~ R620241 R620001G ~ R620050G R620001R ~ R620081R				Serial No	R620051G ~ R620082R ~			

YJR062

# COVER GROUP

Year/Month

2014 / 12



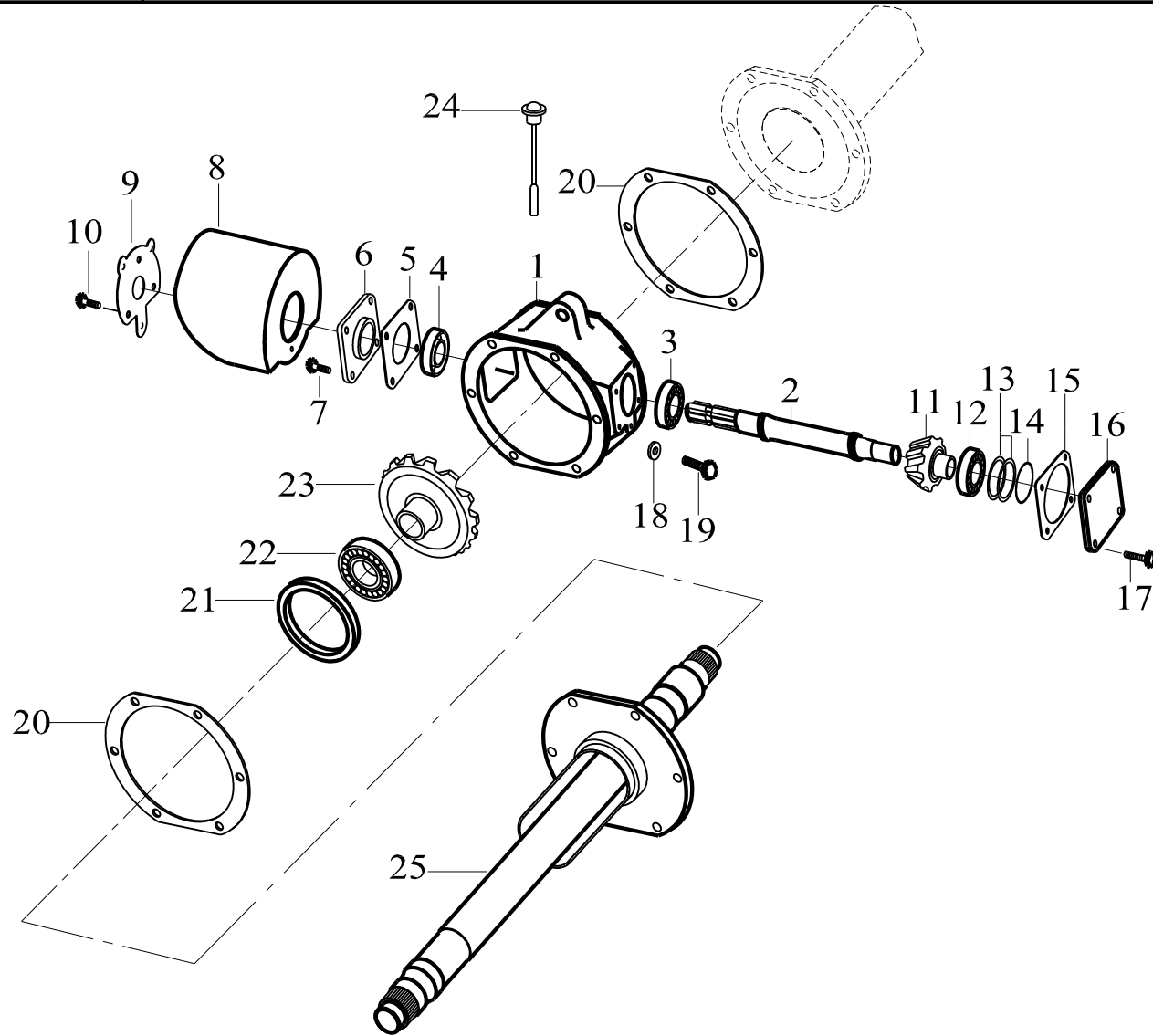
YJR062					COVER GROUP									
Revision 0					Revision 1					Revision 2				
Ref No	Part No	DESCRIPTION	Model		Ref. No.	Part No.	DESCRIPTION	Model		Ref. No.	Part No.	DESCRIPTION	Model	
			YJR060	0				YJR062	0				YJR062	0
1	1520-301000	Cover,Tillage	1		1	1520-301000	Cover,Tillage	1		1	1520-301000	Cover,Tillage	1	
2	1520-302000	Bracket	2		2	1520-302000	Bracket	2						
3	1520-303000	U Bolt	2		3	1520-303000	U Bolt	2						
					4	0930-010000	Washer	4						
4	0931-010000	Washer, Spring	4		5	0931-010000	Washer, Spring	4						
5	0410-010001	Nut	4		6	0410-010000	Nut	4						
6	1109-319000	Pin-R Shape	4		7	0832-200050	Pin-R Shape	4		2	0832-200050	Pin-R Shape	4	
7	1520-308000	Pin, Ring	2		8	1520-308000	Pin, Lower Link	2		3	1520-308000	Pin, Lower Link	2	
8	1520-309000	Pin Collar, Ring	2		9	1520-309000	Collar, Link Pin	2		4	1520-309000	Collar, Link Pin	2	
9	0321-010025	Bolt	5		10	0322-010030	Bolt	5		5	0322-010030	Bolt	5	
10	0931-010000	Washer, Spring	5		11	0931-010000	Washer, Spring	5		6	0931-010000	Washer, Spring	5	
11	0410-010001	Nut	5		12	0422-010000	Nut	5		7	0422-010000	Nut	5	
12	0310-012035	Bolt	4		13	0310-012040	Bolt	4		8	0310-012035	Bolt	4	
13	0931-012000	Washer, Spring	4		14	0931-012000	Washer, Spring	4		9	0931-012000	Washer, Spring	4	
14	0410-012000	Nut	4		15	0410-012000	Nut	4		10	0410-012000	Nut	4	
15	0310-012050	Bolt	5		16	0322-010030	Bolt	5		11	0322-010030	Bolt	5	
16	0931-010000	Washer, Spring	5		17	0931-010000	Washer, Spring	5		12	0931-010000	Washer, Spring	5	
17	0410-010001	Nut	5		18	0422-010000	Nut	5		13	0422-010000	Nut	5	
18	1520-305000	Pipe, Connection	1		19	1520-305000	Pipe, Connection	1		14	1520-305000	Pipe, Connection	1	
19	0831-108045	Pin, Spring	1		20	0831-106030	Pin, Spring	1		15	0831-106030	Pin, Spring	1	
20	1520-304000	Plate, Balance	1		21	1520-304000	Plate, Balance	1		16	1520-304000	Plate, Balance	1	
21	1520-307000	Chain	1		22	1520-307000	Chain	1		17	1520-307000	Chain	1	
22	0310-112035	Bolt	1		23	0851-010040	Pin	1		18	0851-010040	Pin	1	
23	0931-012000	Washer, Spring	1		24	0930-011000	Washer	1		19	0930-011000	Washer	1	
24	0410-012001	Nut	1		25	0832-103222	Pin, split	1		20	0832-103222	Pin, split	1	
25	1520-306000	Stand	1		26	1520-306000	Stand	1		21	1520-306000	Stand	1	
26	0310-010055	Bolt	1		27	0322-010060	Bolt	1		22	0322-010060	Bolt	1	
27	0931-010000	Washer, Spring	1		28	0931-010000	Washer, Spring	1		23	0931-010000	Washer, Spring	1	
28	0410-010000	Nut	1		29	0422-010000	Nut	1		24	0422-010000	Nut	1	
29	0851-010055	Pin	1		30	0851-010060	Pin	1		25	0851-010060	Pin	1	
30	1109-020000	Pin-R Shape	1		31	0832-200035	Pin-R Shape	1		26	0832-200035	Pin-R Shape	1	
31	YJR145-206000	Grip, Stand	1		32	YJR145-206000	Grip, Stand	1		27	YJR145-206000	Grip, Stand	1	
32	0321-010025	Bolt	2		33	0322-010025	Bolt	2		28	0322-010025	Bolt	2	
33	0931-010000	Washer, Spring	2		34	0931-010000	Washer, Spring	2		29	0931-010000	Washer, Spring	2	
34	0410-010001	Nut	2		35	0422-010000	Nut	2		30	0422-010000	Nut	2	
Serial No	Y600001 ~ Y600085 R620001 ~ R620199				Serial No	R620200 ~ R620241 R620001G ~ R620050G R620001R ~ R620081R				Serial No	R620051G ~ R620082R ~			

YJR062

# TRANSMISSION GROUP

Year/Month

2014 / 12



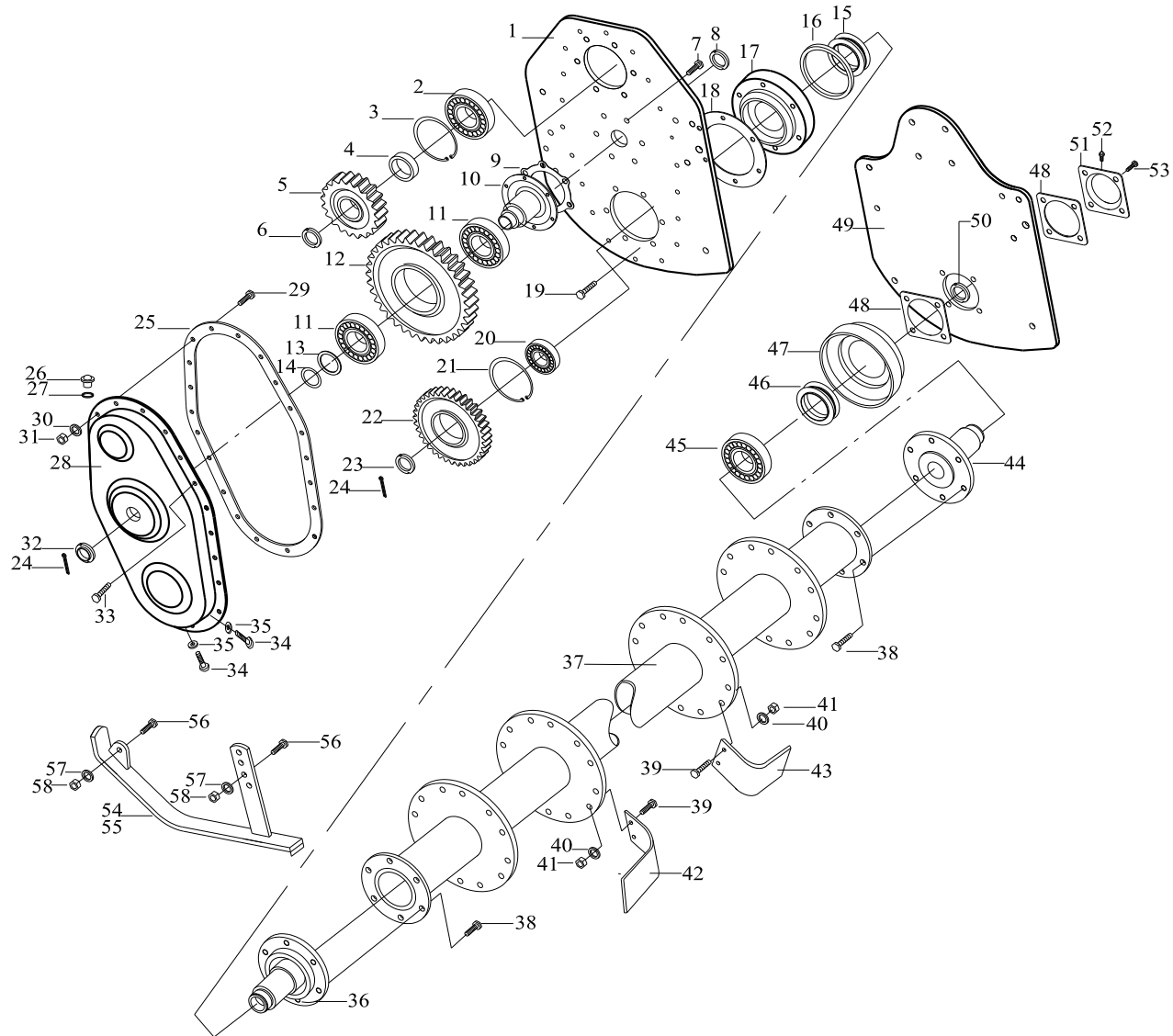
YJR062					TRANSMISSION GROUP									
Revision 0					Revision 1					Revision 2				
Ref No	Part No	DESCRIPTION	Model		Ref. No.	Part No.	DESCRIPTION	Model		Ref. No.	Part No.	DESCRIPTION	Model	
			YJR060	0				YJR062	0				YJR062	0
1	1390-105000	Case, Mission	1		1	1390-105000	Case, Mission	1		1	1390-105000	Case, Transmission	1	
2	YJR145-100200	Shaft, Input	1		2	1290-101000	Shaft, Input	1		2	1290-101000	Shaft, Input	1	
3	0310-030207	Bearing,Taper	1		3	0120-030207	Bearing,Taper	1		3	0120-030207	Bearing,Taper	1	
4	0320-355511	Seal, Oil	1		4	0240-355512	Seal, Oil	1		4	0240-355512	Seal, Oil	1	
5	2131-345010	Packing, Cover, Input Shaft	1		5	2131-345010	Packing, Cover, Input Shaft	1		5	2131-345010	Packing, Cover, Input Shaft	1	
6	1390-101000	Cover, Input Shaft	1		6	1390-101000	Cover, Input Shaft	1		6	1390-101000	Cover, Input Shaft	1	
7	0327-110030	Bolt	4		7	0327-010030	Bolt w/washer	4		7	0327-010030	Bolt w/washer	4	
8	1731-500018	Cover, Safety	1		8	1731-500018	Cover, Safety	1		8	1731-500018	Cover, Safety	1	
9	1731-500019	Bracket, Cover	1		9	1731-500019	Bracket, Cover	1		9	1731-500019	Bracket, Cover	1	
10	0327-008014	Bolt w/washer	3		10	0327-008014	Bolt w/washer	3		10	0327-008014	Bolt w/washer	3	
11	1390-115000	13T Gear Bevel	1		11	1290-115000	13T Gear Bevel	1		11	1290-115000	13T Gear Bevel	1	
12	0310-030208	Bearing,Taper	1		12	0120-030208	Bearing,Taper	1		12	0120-030208	Bearing,Taper	1	
13	1390-102000	Shim1	2		13	1390-102000	Shim1	2		13	1390-102000	Shim1	2	
14	1390-102200	Shim2	1		14	1390-103000	Shim2	1		14	1390-103000	Shim2	1	
15	1390-104010	Packing, Cover, Inout Shaft	1		15	1390-104010	Packing, Cover, Inout Shaft	1		15	1390-104010	Packing, Cover, Inout Shaft	1	
16	1390-104000	Cover, Inout Shaft	1		16	1390-104000	Cover, Inout Shaft	1		16	1390-104000	Cover, Inout Shaft	1	
17	0327-010030	Bolt w/washer	4		17	0327-010030	Bolt w/washer	4		17	0327-010030	Bolt w/washer	4	
18	0920-010000	Washer, Packing	1		18	0920-010000	Washer, Packing	1		18	0920-010000	Washer, Packing	1	
19	0321-012014	Bolt	1		19	0321-010014	Bolt	1		19	0321-010014	Bolt	1	
20	1500-322000	Shim,Mission Case	2		20	1500-322000	Shim,Mission Case	2		20	1500-322000	Shim,Mission Case	2	
21	0320-507206	Seal, Oil	1		21	0240-507206	Seal, Oil	1		21	0240-507206	Seal, Oil	1	
22	0310-062100	Bearing, Ball	1		22	0121-006210	Bearing, Ball	1		22	0121-006210	Bearing, Ball	1	
23	1390-116000	33T Gear Bevel	1		23	1290-116000	33T Gear Bevel	1		23	1290-116000	33T Gear Bevel	1	
24	0150-033000	M33 Nut	1											
25	2131-301000	Gauge, Oil	1		24	2131-301000	Gauge, Oil	1		24	2131-301000	Gauge, Oil	1	
26	1520-101001	Shaft, Driver	1		25	1520-101001	Shaft, Driver	1		25	1520-101001	Shaft, Driver	1	
Serial No	Y600001 ~ Y600085 R620001 ~ R620199				Serial No	R620200 ~ R620241 R620001G ~ R620050G R620001R ~ R620081R				Serial No	R620051G ~ R620082R ~			

YJR062

# SIDE GEAR GROUP 1

Year/Month

2014 / 12





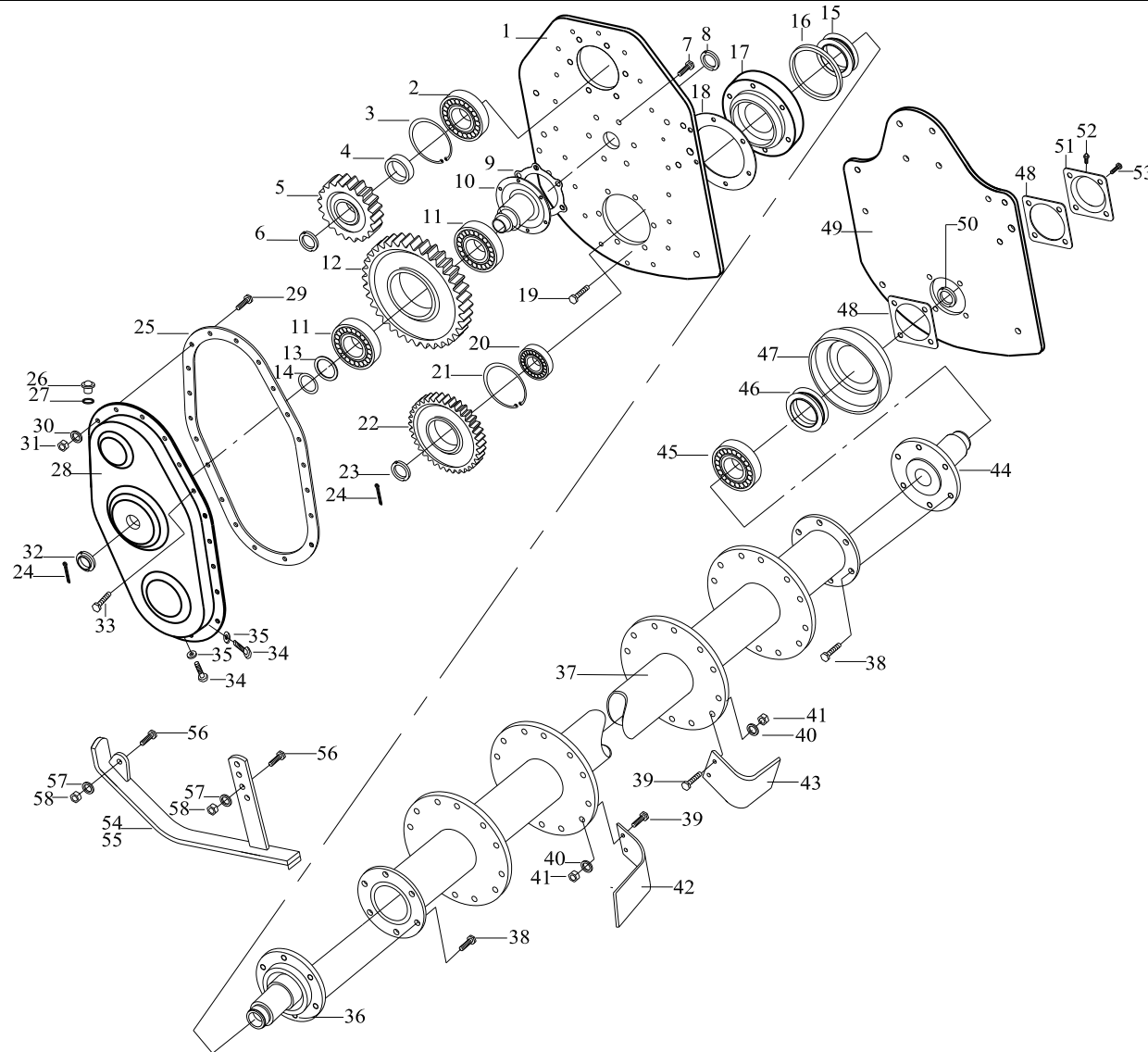
YJR062					SIDE GEAR GROUP 1									
Revision 0					Revision 1					Revision 2				
Ref No	Part No	DESCRIPTION	Model		Ref. No.	Part No.	DESCRIPTION	Model		Ref. No.	Part No.	DESCRIPTION	Model	
			YJR060	0				YJR062	0				YJR062	0
1	1520-201000	Plate, Side Gear	1		1	1520-201000	Plate, Side Gear	1		1	1520-201000	Plate, Side Gear	1	
2	0310-06208D	Bearing, Ball	1		2	0122-006208	Bearing, Ball	1		2	0122-006208	Bearing, Ball	1	
3	0330-080000	Ring, Snap	1		3	0800-200080	Ring, Snap	1		3	0800-200080	Ring, Snap	1	
4	1520-300100	Collar	1		4	1520-300100	Collar	1		4	1520-300100	Collar	1	
5	1520-300016	19T Gear, Spur	1		5	1520-300016	19T Gear, Spur	1		5	1520-300016	19T Gear, Spur	1	
6	0150-035000	M35 Nut	1		6	0150-035000	M35 Nut	1		6	0150-035000	M35 Nut	1	
7	0321-010025	Bolt w/washer	6		7	0327-010025	Bolt w/washer	6		7	0327-010025	Bolt w/washer	6	
8	1331-123000	M38 Nut	1		8	1331-123000	M38 Nut	1		8	1331-123000	M38 Nut	1	
9	1700-500030	Packing, Gear Pin	1		9	1700-500030	Packing, Gear Pin	1		9	1700-500030	Packing, Gear Pin	1	
10	1700-500029	Pin, Gear	1		10	1700-500029	Pin, Gear	1		10	1700-500029	Pin, Gear	1	
11	0310-033010	Bearing, Taper	2		11	0120-033010	Bearing, Taper	2		11	0120-033010	Bearing, Taper	2	
12	1520-600030	37T Gear, Spur	1		12	1520-600030	37T Gear, Spur	1		12	1520-600030	37T Gear, Spur	1	
13	1700-510029/1	Collar, Gear Pin	1		13	1700-510029/1	Collar, Gear Pin	1		13	1700-510029/1	Collar, Gear Pin	1	
14	0910-000045	O-Ring	1		14	0910-000045	O-Ring	1		14	0910-000045	O-Ring	1	
15	0320-760053	Seal, Group	1		15	0251-760053	Seal, Group	1		15	0251-760053	Seal, Group	1	
16	0250-951213	Seal, Oil	1		16	0240-951213	Seal, Oil	1		16	0240-951213	Seal, Oil	1	
17	1500-700110	Boss, Tillage	1		17	1450-200026	Boss, Tillage	1		17	1450-200026	Boss, Tillage	1	
18	1450-200033	Packing, Boss, Tillage	1		18	1450-200033	Packing, Boss, Tillage	1		18	1450-200033	Packing, Boss, Tillage	1	
19	0321-010030	Bolt w/washer	6		19	0327-010030	Bolt w/washer	6		19	0327-010030	Bolt w/washer	6	
20	0310-062090	Bearing, Ball	1		20	0121-006209	Bearing, Ball	1		20	0121-006209	Bearing, Ball	1	
21	0330-085000	Ring, Snap	1		21	0800-200085	Ring, Snap	1		21	0800-200085	Ring, Snap	1	
22	1520-400010	24T Gear, Spur	1		22	1520-400010	24T Gear, Spur	1		22	1520-400010	24T Gear, Spur	1	
23	0150-038000	M38 Nut	1		23	0150-035000	M35 Nut	1		23	0150-035000	M35 Nut	1	
24	0832-102550	pin, Split	2		24	0832-102550	Pin, Split	1		24	0832-102550	Pin, Split	1	
25	1500-500030/3	Packing, Plate	1		25	1500-500030/3	Packing, Plate	1		25	1500-500030/3	Packing, Plate	1	
26	2131-302000	Cap Filling	1		26	2131-302000	Cap Filling	1		26	2131-302000	Cap Filling	1	
					27	0920-020000	Washer, Packing	1		27	0920-020000	Washer, Packing	1	
27	1500-500030	Cover, Side Gear	1		28	1500-500030	Cover, Side Gear	1		28	1500-500030	Cover, Side Gear	1	
28	0320-008025	Bolt	19		29	0321-008025	Bolt	19		29	0321-008025	Bolt	19	
29	0931-008000	Washer, Spring	19		30	0931-008000	Washer, Spring	19		30	0931-008000	Washer, Spring	19	
30	0410-008001	Nut	19		31	0421-008000	Nut	19		31	0421-008000	Nut	19	
31	0150-035000	M38 Nut	1		32	1331-123001	M38 Nut	1		32	1331-123001	M38 Nut	1	
32	0327-008020	Bolt w/washer	1		33	0327-008020	Bolt w/washer	1		33	0327-008020	Bolt w/washer	1	
33	0321-010014	Bolt	2		34	0321-010014	Bolt	2		34	0321-010014	Bolt	2	
34	0931-012000	Washer, Spring	2		35	0920-010000	Washer, Packing	2		35	0920-010000	Washer, Packing	2	
Serial No	Y600001 ~ Y600085 R620001 ~ R620199				Serial No	R620200 ~ R620241 R620001G ~ R620050G R620001R ~ R620081R				Serial No	R620051G ~ R620082R ~			

YJR062

# SIDE GEAR GROUP 2

Year/Month

2014 / 12



YJR062					SIDE GEAR GROUP 2									
Revision 0					Revision 1					Revision 2				
Ref No	Part No	DESCRIPTION	Model		Ref.N o.	Part No.	DESCRIPTION	Model		Ref.N o.	Part No.	DESCRIPTION	Model	
			YJR060	0				YJR062	0				YJR062	0
35	1450-200026	Shaft, Spline	1		36	1500-700110	Shaft, Spline	1		36	1500-700110	Shaft, Spline	1	
36	1520-202000	Shaft, Tillage	1		37	1520-202000	Shaft, Tillage	1		37	1520-202000	Shaft, Tillage	1	
37	0321-012025	Bolt	12		38	0327-012025	Bolt w/washer	12		38	0327-012025	Bolt w/washer	12	
38	0931-012000	Washer, Spring	12											
39	0321-012035	Bolt	96		39	0321-012035	Bolt	96		39	0321-012035	Bolt	96	
40	0931-012000	Washer, Spring	96		40	0931-012000	Washer, Spring	96		40	0931-012000	Washer, Spring	96	
41	0410-012000	Nut	96		41	0421-012000	Nut	96		41	0421-012000	Nut	96	
42	YJ145-201360	Blade, LH	24		42	YJR145-201350	Blade, LH	24		42	YJR145-201350	Blade, LH	24	
43	YJ145-201350	Blade, RH	24		43	YJR145-201360	Blade, RH	24		43	YJR145-201360	Blade, RH	24	
44	1450-200031	Shaft, RH	1		44	1450-200031	Shaft, RH	1		44	1450-200031	Shaft, RH	1	
45	0310-062070	Bearing, Ball	1		45	0121-006207	Bearing, Ball	1		45	0121-006207	Bearing, Ball	1	
46	0320-760042	Seal, Group	1		46	0251-760042	Seal, Group	1		46	0251-760042	Seal, Group	1	
47	1450-200032	Boss, Tillage	1		47	1450-200032	Boss, Tillage	1		47	1450-200032	Boss, Tillage	1	
48	70436-5214	Packing	2		48	1450-200033-1	Packing	2		48	1450-200033-1	Packing	2	
49	1520-203000	Bracket	1		49	1520-203000	Bracket	1		49	1520-203000	Bracket	1	
50	0150-030000	M30 Nut	1		50	0150-030000	M30 Nut	1		50	0150-030000	M30 Nut	1	
51	1450-200034	Cover, Bearing	1		51	1450-200034	Cover, Bearing	1		51	1450-200034	Cover, Bearing	1	
52	0231-080001	plug, grease	1		52	0231-080001	plug, grease	1		52	0231-080001	plug, grease	1	
53	0321-010020	Bolt w/washer	4		53	0327-010020	Bolt w/washer	4		53	0327-010020	Bolt w/washer	4	
54	Y1607-120	Skid LH	1		54	Y1607-120	Skid LH	1		54	Y1607-120	Skid LH	1	
55	Y1607-130	Skid RH	1		55	Y1607-130	Skid RH	1		55	Y1607-130	Skid RH	1	
56	0310-012035	Bolt	4		56	0310-012035	Bolt	4		56	0310-012035	Bolt	4	
57	0931-012000	Washer, Spring	4		57	0931-012000	Washer, Spring	4		57	0931-012000	Washer, Spring	4	
58	0410-012000	Nut	4		58	0410-012000	Nut	4		58	0410-012000	Nut	4	
Serial No	Y600001 ~ Y600085 R620001 ~ R620199				Serial No	R620200 ~ R620241 R620001G ~ R620050G R620001R ~ R620081R				Serial No	R620051G ~ R620082R ~			