



TILLER MODEL SR072

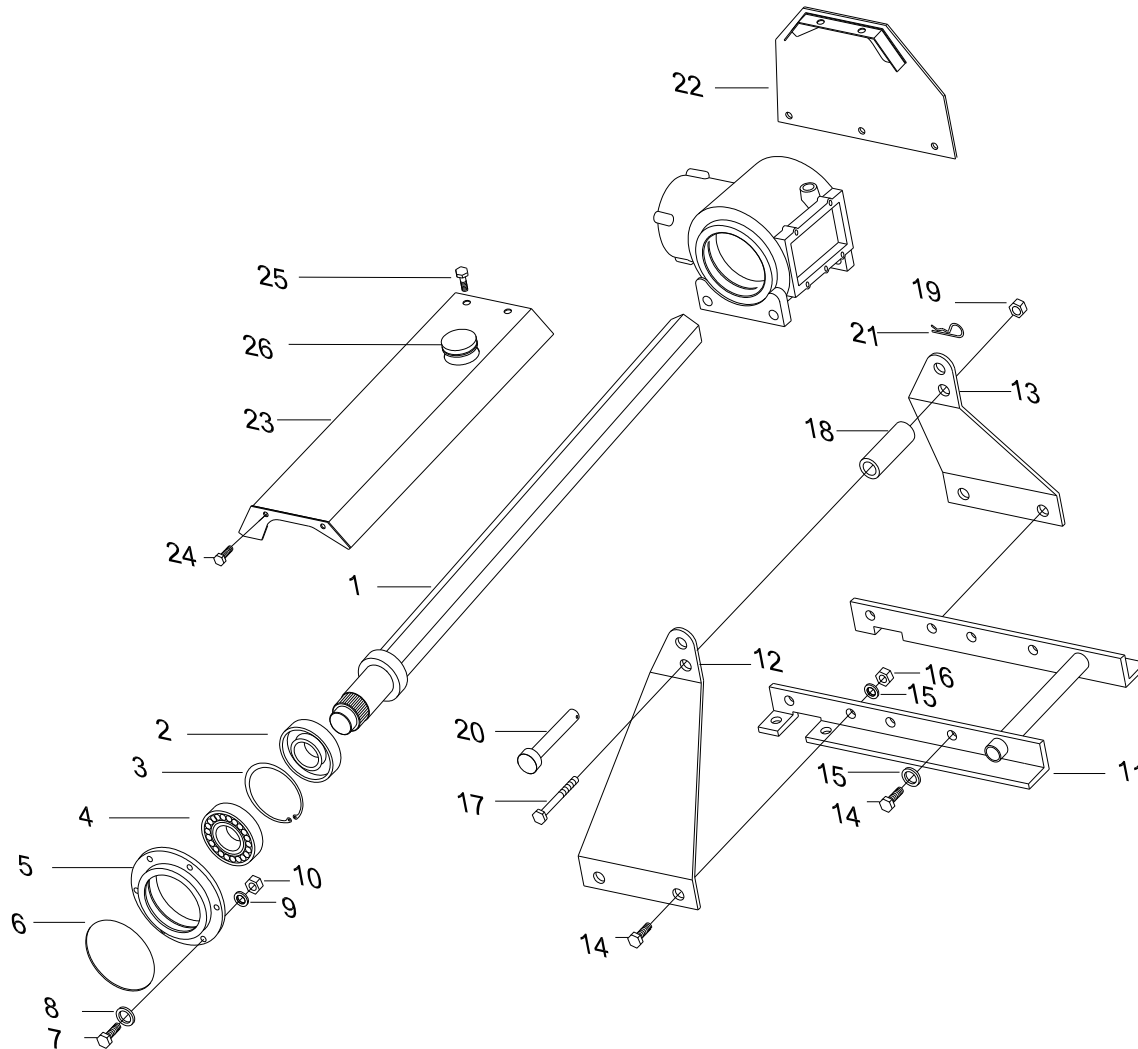
PART CATALOGUE

SR072

FRAME GROUP

Year/Month

2014 / 12



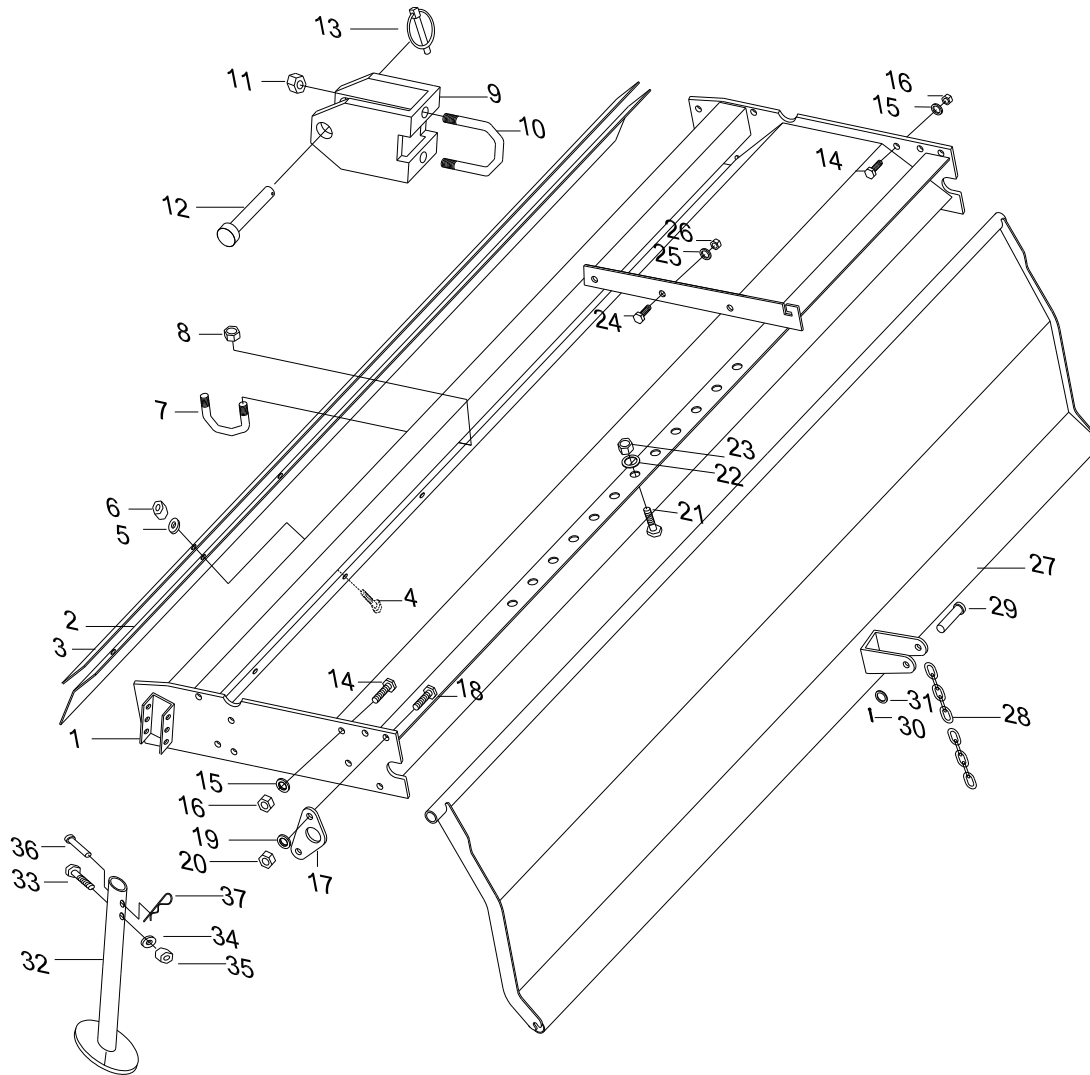
SR072				FRAME GROUP											
Revision 0				Revision 1					Revision 2						
Ref No	Part No	DESCRIPTION	MODEL		Ref. No.	Part No.	DESCRIPTION	MODEL		Ref. No.	Part No.	DESCRIPTION	MODEL		
			SR072					SR072					SR072		
1	S072-106000	Shaft, Driver	1		1	S072-106000	Shaft, Driver	1		1	S072-106000	Shaft, Driver	1		
2	0250-507208	Seal, Oil	2		2	0240-609012	Seal, Oil	2		2	0240-609012	Seal, Oil	2		
3	0800-000072	Ring, Snap	1		3	0800-200090	Ring, Snap	1		3	0800-200090	Ring, Snap	1		
4	0121-006207	Bearing, Ball	1		4	0121-006308	Bearing, Ball	1		4	0121-006308	Bearing, Ball	1		
5	1650-300019	Outside flange	1		5	1650-300019	Outside flange	1		5	1650-300019	Outside flange	1		
6	0910-300100	O-Ring	1		6	0910-300100	O-Ring	1		6	0910-300100	O-Ring	1		
7	0321-010030	Bolt	6		7	0310-012035	Bolt	6		7	0310-012035	Bolt	6		
8	0931-010000	Washer, Packing	6		8	0920-012000	Washer, Packing	6		8	0920-012000	Washer, Packing	6		
9	0931-010000	Washer, Spring	6		9	0931-012000	Washer, Spring	6		9	0931-012000	Washer, Spring	6		
10	0421-010000	Nut	6		10	0423-012000	Nut	6		10	0423-012000	Nut	6		
11	S072-102000	Mission job	1		11	S072-102000	Mission job	1		11	S072-102000	Mission job	1		
12	S072-101010	Master L	1		12	S072-101010	Master L	1		12	S072-101010	Master L	1		
13	S072-101020	Master R	1		13	S072-101020	Master R	1		13	S072-101020	Master R	1		
14	0321-016040	Bolt	8		14	0322-016040	Bolt	8		14	0322-016040	Bolt	8		
15	0410-016000	Washer, Spring	8		15	0931-016000	Washer, Spring	8		15	0931-016000	Washer, Spring	8		
16	0421-016000	Nut	4		16	0422-016000	Nut	4		16	0422-016000	Nut	4		
17	0321-016100	Bolt	1		17	0310-016100	Bolt	1		17	0310-016100	Bolt	1		
18	S060-101030	Collar	1		18	S060-101030	Collar	1		18	S060-101030	Collar	1		
19	0410-016001	Nut	1		19	0410-016000	Nylon Nut	1		19	0410-016000	Nylon Nut	1		
20	YJR145-301040	Pin, Top Link	1		20	YJR145-301040	Pin, Top Link	1		20	YJR145-301040	Pin, Top Link	1		
21	1109-319000	Pin, R-Shape	1		21	1109-319000	Pin, R-Shape	1		21	0832-200050	Pin, R-Shape	1		
22	S072-105000	Carrier	1		22	S072-105000	Carrier	1		22	S072-105000	Carrier	1		
23	S072-104000	Cover, Shaft Driv	1		23	S072-104000	Cover, Shaft Driv	1		23	S072-104000	Cover, Shaft Driv	1		
24	0310-008016	Bolt w/washer	2		24	0327-008016	Bolt w/washer	2		24	0327-008016	Bolt w/washer	2		
25	0310-008020	Bolt w/washer	2		25	0327-008020	Bolt w/washer	2		25	0327-008020	Bolt w/washer	2		
26	1450-200052	Pubber cap	1		26	1450-200052	Pubber cap	1		26	1450-200052	Pubber cap	1		
Serial No	S720001 ~ S720040				Serial No	S720041 ~ S720088 S720001G ~ S720072G S720001R ~ S720044R					Serial No	S720073G ~ S720045R ~			

SR072

# COVER GROUP

Year/Month

2014 / 12



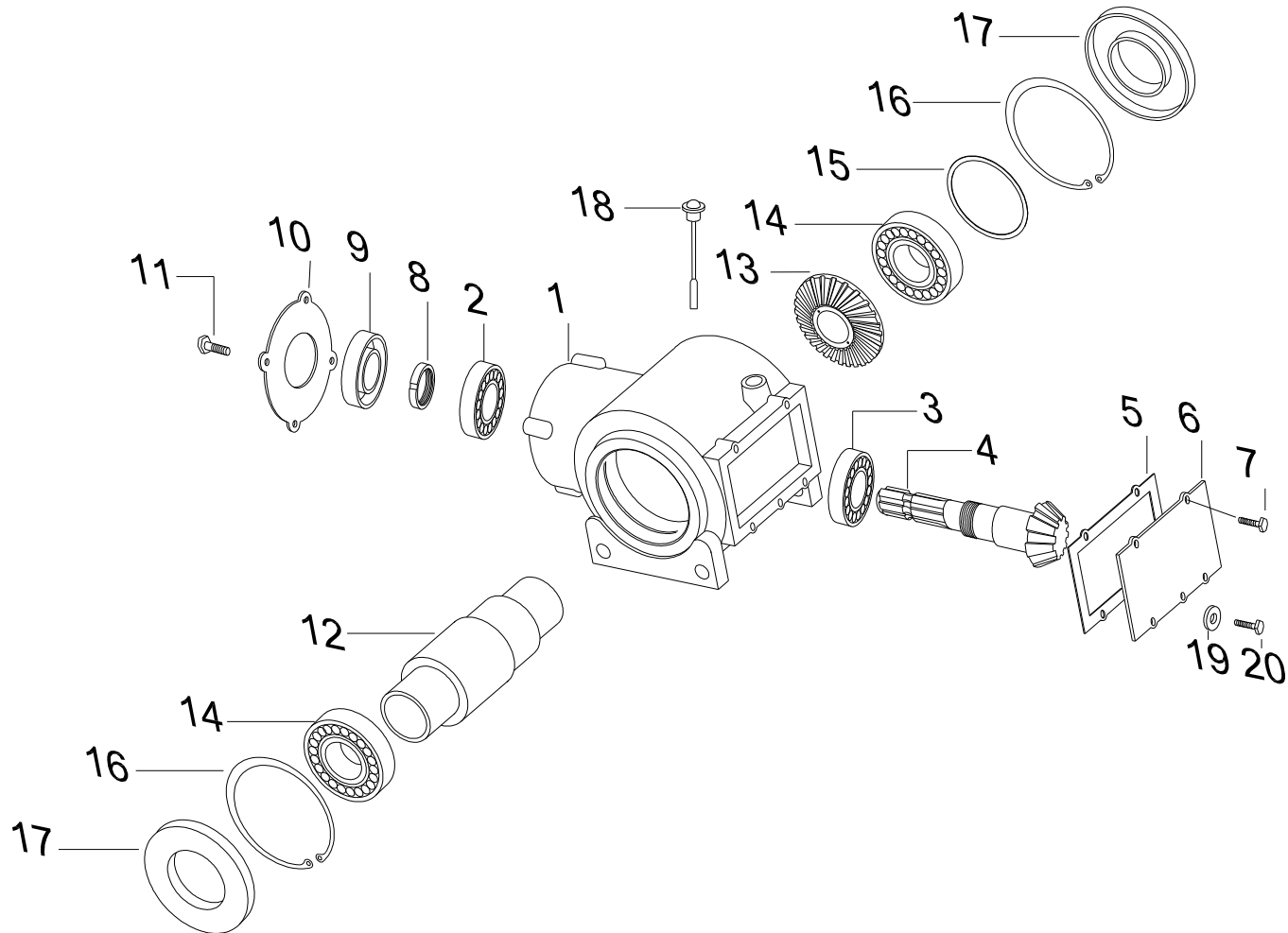
SR072				COVER GROUP										
Revision 0				Revision 1					Revision 2					
Ref No	Part No	DESCRIPTION	Model		Ref. No.	Part No.	DESCRIPTION	Model		Ref. No.	Part No.	DESCRIPTION	Model	
			SR072					SR072					SR072	
1	S072-201000	Cover,Tillage	1		1	S072-201000	Cover,Tillage	1		1	S072-201000	Cover,Tillage	1	
2	S072-202000	Cover, Front	1		2	S072-202000	Cover, Front	1		2	S072-202000	Cover, Front	1	
3	S072-202010	Plate, Press	1		3	S072-202010	Plate, Press	1		3	S072-202010	Plate, Press	1	
4	0310-010030	Bolt	10		4	0322-010030	Bolt	10		4	0322-010030	Bolt	10	
5	0931-010000	Washer, Spring	10		5	0931-010000	Washer, Spring	10		5	0931-010000	Washer, Spring	10	
6	0421-010000	Nut	10		6	0422-010000	Nut	10		6	0422-010000	Nut	10	
7	S060-103000	U Bolt	2		7	S060-103000	U Bolt	2		7	S060-103000	U Bolt	2	
8	0421-012000	Nut	2		8	0420-012000	Nut	2		8	0420-012000	Nut	2	
9	S060-601000	Arm, Link	2		9	S060-601000	Arm, Link	2		9	S060-601000	Arm, Link	2	
10	S060-103000	U Bolt	2		10	S060-103000	U Bolt	2		10	S060-103000	U Bolt	2	
11	0421-012000	Nut	2		11	0421-012000	Nut	2		11	0421-012000	Nut	2	
12	1750-600006	Pin, Lower Link	2		12	1750-600006	Pin, Lower Link	2		12	1750-600006	Pin, Lower Link	2	
13	1109-319000	Pin, R-Shape	2		13	1461-306000	Pin, Ring	2		13	1461-306000	Pin, Ring	2	
14	0310-010025	Bolt	9		14	0322-010025	Bolt	9		14	0322-010025	Bolt	9	
15	0931-010000	Washer, Spring	9		15	0931-010000	Washer, Spring	9		15	0931-010000	Washer, Spring	9	
16	0421-010000	Nut	9		16	0422-010000	Nut	9		16	0422-010000	Nut	9	
17	S060-203000	Bracket	2		17	S060-203000	Bracket	2		17	S060-203000	Bracket	2	
18	0310-010030	Bolt	4		18	0322-010030	Bolt	4		18	0322-010030	Bolt	4	
19	0931-010000	Washer, Spring	4		19	0931-010000	Washer, Spring	4		19	0931-010000	Washer, Spring	4	
20	0421-010000	Nut	4		20	0422-010000	Nut	4		20	0422-010000	Nut	4	
21	0310-012030	Bolt	2		21	0310-012030	Bolt	2		21	0310-012030	Bolt	2	
22	0931-012000	Washer, Spring	2		22	0931-012000	Washer, Spring	2		22	0931-012000	Washer, Spring	2	
23	0421-012000	Nut	2		23	0423-012000	Nut	2		23	0423-012000	Nut	2	
24	0310-010025	Bolt	3		24	0322-010025	Bolt	3		24	0322-010025	Bolt	3	
25	0931-010000	Washer, Spring	3		25	0931-010000	Washer, Spring	3		25	0931-010000	Washer, Spring	3	
26	0421-010000	Nut	3		26	0422-010000	Nut	3		26	0422-010000	Nut	3	
27	S072-301000	Plate, Balance	1		27	S072-301000	Plate, Balance	1		27	S072-301000	Plate, Balance	1	
28	C060-309000	Chain	1		28	C060-309000	Chain	1		28	C060-309000	Chain	1	
29	0851-012040	Pin	1		29	0851-010040	Pin	1		29	0851-010040	Pin	1	
30	0832-103222	Pin, Split	1		30	0832-103222	Pin, Split	1		30	0832-103222	Pin, Split	1	
31	0930-013000	Washer, Plain	1		31	0930-011000	Washer	1		31	0930-011000	Washer	1	
32	1520-306000	Stand	1		32	S072-204000	Stand	1		32	S072-204000	Stand	1	
33	0310-010055	Bolt	1		33	0322-010055	Bolt	1		33	0322-010055	Bolt	1	
34	0931-010000	Washer, Spring	1		34	0931-010000	Washer, Spring	1		34	0931-010000	Washer, Spring	1	
35	0410-010000	Nut	1		35	0422-010000	Nut	1		35	0422-010000	Nut	1	
36	0851-010055	Pin	1		36	0851-010055	Pin	1		36	0851-010055	Pin	1	
37	1109-020000	Pin-R Shape	1		37	0832-200035	Pin-R Shape	1		37	0832-200035	Pin-R Shape	1	
Serial No	S720001 ~ S720040				Serial No	S720041 ~ S720088 S720001G ~ S720072G S720001R ~ S720044R				Serial No	S720073G ~ S720045R ~			

SR072

# TRANSMISSION GROUP

Year/Month

2014 / 12



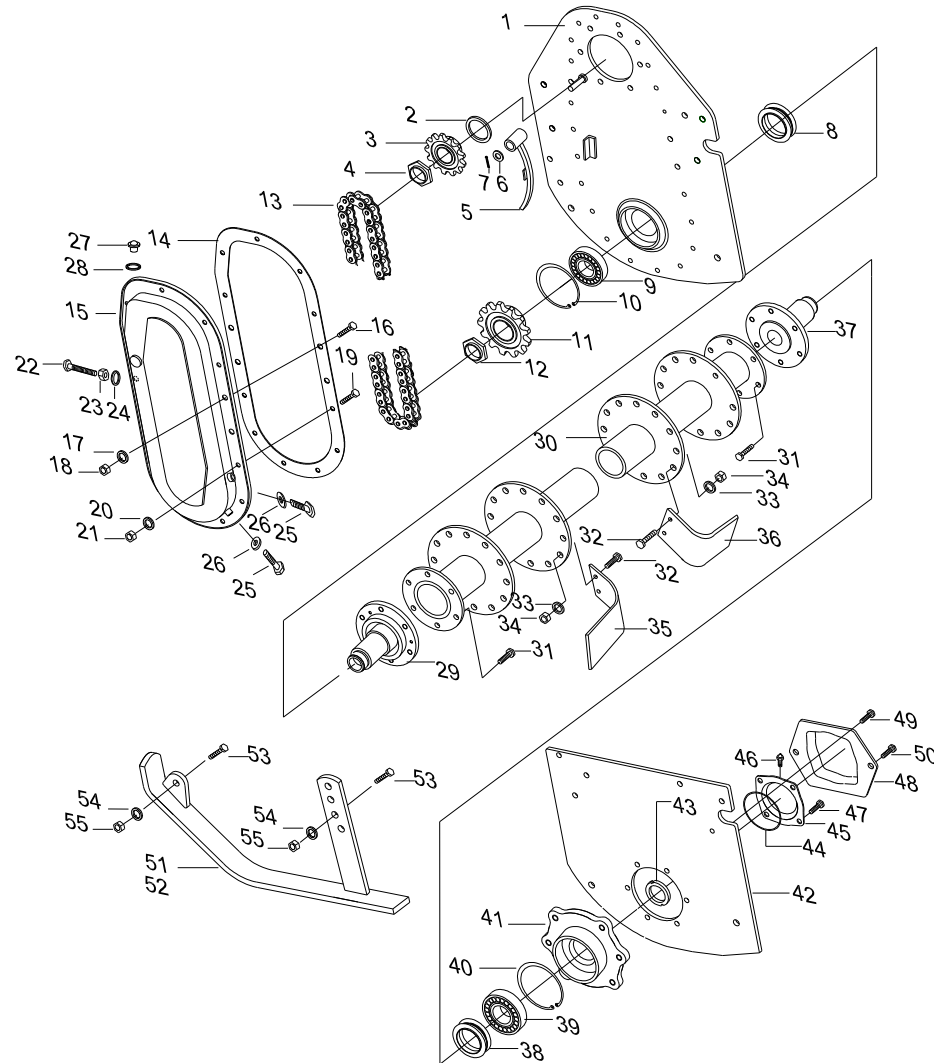
SR072				TRANSMISSION GROUP											
Revision 0				Revision 1						Revision 2					
Ref No	Part No	DESCRIPTION	Model		Ref. No.	Part No.	DESCRIPTION	Model		Ref. No.	Part No.	DESCRIPTION	Model		
			SR072					SR072					SR072		
1	1650-300001	Case, Mission	1		1	1650-300001	Case, Mission	1		1	1650-300001	Case, Transmission	1		
2	0120-030208	Bearing, Taper	1		2	0120-030208	Bearing, Taper	1		2	0120-030208	Bearing, Taper	1		
3	0120-030209	Bearing, Taper	1		3	0120-030209	Bearing, Taper	1		3	0120-030209	Bearing, Taper	1		
4	S072-107000	11T Gear Bevel	1		4	S072-107000	11T Gear Bevel	1		4	S072-107000	11T Gear Bevel	1		
5	1650-300004	Cover, Inout Shaft Packing	1		5	1650-300004	Cover, Inout Shaft Packing	1		5	1650-300004	Cover, Inout Shaft Packing	1		
6	1650-300005	Cover, Inout Shaft	1		6	1650-300005	Cover, Inout Shaft	1		6	1650-300005	Cover, Inout Shaft	1		
7	0310-008020	Bolt w/washer	5		7	0327-008020	Bolt w/washer	5		7	0327-008020	Bolt w/washer	5		
8	1650-300006	M39 Nut	1		8	1650-300006	M39 Nut	1		8	1650-300006	M39 Nut	1		
9	0250-358010	Seal, Oil	1		9	0240-358010	Seal, Oil	1		9	0240-358010	Seal, Oil	1		
10	1450-200005	Cover, Inout Shaft	1		10	1450-200005	Cover, Inout Shaft	1		10	1450-200005	Cover, Inout Shaft	1		
11	0310-008020	Bolt w/washer	4		11	0327-008020	Bolt w/washer	4		11	0327-008020	Bolt w/washer	4		
12	1650-300007	Feed Shaft	1		12	1650-300007	Feed Shaft	1		12	1650-300007	Feed Shaft	1		
13	S072-108000	26T Gear Bevel	1		13	S072-108000	26T Gear Bevel	1		13	S072-108000	26T Gear Bevel	1		
14	0121-006212	Bearing, Ball	2		14	0121-006212	Bearing, Ball	2		14	0121-006212	Bearing, Ball	2		
15	0650-300010	Shim	1		15	0650-300010	Shim	1		15	0650-300010	Shim	1		
16	0800-000110	Ring, Snap	2		16	0800-200110	Ring, Snap	2		16	0800-200110	Ring, Snap	2		
17	0250-611013	Seal, Oil	2		17	0240-611013	Seal, Oil	2		17	0240-611013	Seal, Oil	2		
18	1331-106000	Gauge, Oil	1		18	1501-106000	Gauge, Oil	1		18	1501-106000	Gauge, Oil	1		
19	0321-010014	Bolt	1		19	0321-010014	Bolt	1		19	0321-010014	Bolt	1		
20	0920-010000	Washer, Packing	1		20	0920-010000	Washer, Packing	1		20	0920-010000	Washer, Packing	1		
Serial No	S720001 ~ S720040				Serial No	S720041 ~ S720088 S720001G ~ S720072G S720001R ~ S720044R				Serial No	S720073G ~ S720045R ~				

SR072

# SIDE GEAR GROUP 1

Year/Month

2014 / 12





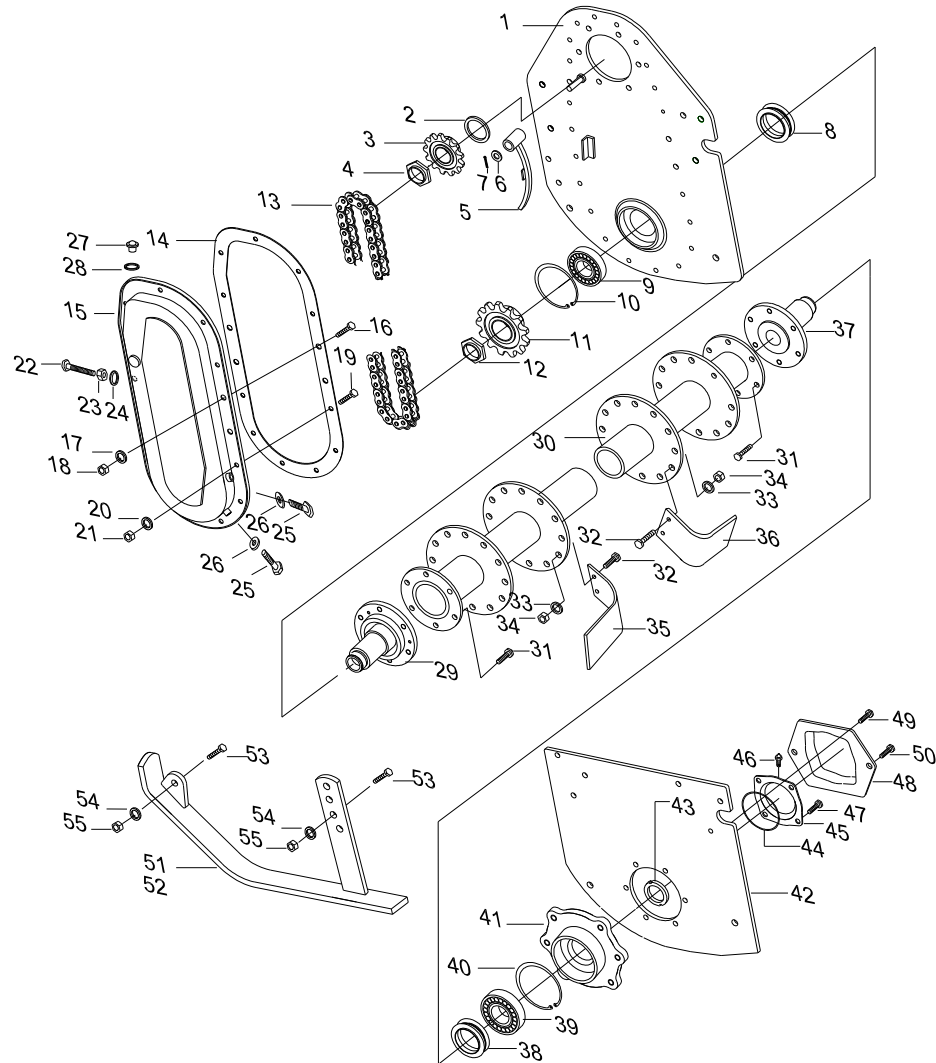
SR072				SIDE GEAR GROUP 1											
Revision 0				Revision 1						Revision 2					
Ref No	Part No	DESCRIPTION	Model		Ref. No.	Part No.	DESCRIPTION	Model		Ref. No.	Part No.	DESCRIPTION	Model		
			SR072					SR072					SR072		
1	S072-401000	Plate, Chain Case	1		1	S072-401000	Plate, Chain Case	1		1	S072-401000	Plate, Chain Case	1		
2	YJR145-200710	Collar	1		2	YJR145-200710	Collar	1		2	YJR145-200710	Collar	1		
3	1650-300016	11T Sprocket	1		3	1650-300016	11T Sprocket	1		3	1650-300016	11T Sprocket	1		
4	1650-300017	M33 Nut	1		4	1650-300017	M33 Nut	1		4	1261-108000	M33 Nut	1		
5	1650-300018	Tension, Chain	1		5	YJ170-300018	Tension, Chain	1		5	YJ170-300018	Tension, Chain	1		
6	0930-013000	Washer, Plain	1		6	0930-011000	Washer	1		6	0930-011000	Washer	1		
7	0832-103222	Pin, Split	1		7	0832-103222	Pin, Split	1		7	0832-103222	Pin, Split	1		
8	0251-007000	Seal, Group	1		8	0251-007000	Seal, Group	1		8	0251-007000	Seal, Group	1		
9	0310-063090	Bearing, Ball	1		9	0121-006309	Bearing, Ball	1		9	0121-006309	Bearing, Ball	1		
10	0800-000100	Ring, Snap	1		10	0800-200100	Ring, Snap	1		10	0800-200100	Ring, Snap	1		
11	1650-300014	17T Sprocket	1		11	1650-300014	16T Sprocket	1		11	1650-300014	16T Sprocket	1		
12	1331-123000	M38 Nut	1		12	1331-123000	M38 Nut	1		12	1331-123001	M38 Nut	1		
13	S072-403000	Chain	1		13	1261-114000	Chain	1		13	1261-114000	Chain	1		
14	1650-300013	Packing, Plate	1		14	1650-300013	Packing, Plate	1		14	1650-300013	Packing, Plate	1		
15	1650-300011	Cover, Chain	1		15	1650-300011	Cover, Chain	1		15	1650-300011	Cover, Chain	1		
16	0320-010025	Bolt	13		16	0322-010025	Bolt	3		16	0322-010025	Bolt	3		
					17	0931-010000	Washer, Spring	3		17	0931-010000	Washer, Spring	3		
					18	0422-010000	Nut	3		18	0422-010000	Nut	3		
17	0320-008030	Bolt	2		19	0321-010030	Bolt	12		19	0321-010030	Bolt	12		
					20	0931-010000	Washer, Spring	12		20	0931-010000	Washer, Spring	12		
18	0410-008001	Nut	15		21	0421-010000	Nut	12		21	0421-010000	Nut	12		
19	0310-014080	Bolt	1		22	0310-014080	Bolt	1		22	0310-014080	Bolt	1		
20	0410-014000	Nut	1		23	0410-014000	Nut	1		23	0410-014000	Nut	1		
21	0931-014000	Washer, Packing	1		24	0931-014000	Washer, Packing	1		24	0931-014000	Washer, Packing	1		
22	0321-010014	Bolt	2		25	0321-010014	Bolt	2		25	0321-010014	Bolt	2		
23	0931-012000	Washer, Packing	2		26	0920-010000	Washer, Packing	2		26	0920-010000	Washer, Packing	2		
24	1500-500030/1	Cap Filling	1		27	2131-302000	Cap Filling	1		27	2131-302000	Cap Filling	1		
					28	0920-020000	Washer, Packing	1		28	0920-020000	Washer, Packing	1		
Serial No	S720001 ~ S720040				Serial No	S720041 ~ S720088 S720001G ~ S720072G S720001R ~ S720044R				Serial No	S720073G ~ S720045R ~				

SR072

# SIDE GEAR GROUP 2

Year/Month

2014 / 12



SR072				SIDE GEAR GROUP 2										
Revision 0				Revision 1					Revision 2					
Ref No	Part No	DESCRIPTION	Model		Ref.No.	Part No.	DESCRIPTION	Model		Ref.No.	Part No.	DESCRIPTION	Model	
			SR072					SR072					SR072	
25	1650-300022	Shaft, Spline	1		29	1650-300022	Shaft, Spline	1		29	1650-300022	Shaft, Spline	1	
26	S072-501000	Shaft, Tillage	1		30	S072-501000	Shaft, Tillage	1		30	S072-501000	Shaft, Tillage	1	
27	0321-012030	Bolt w/washer	12		31	0327-012030	Bolt w/washer	12		31	0327-012030	Bolt w/washer	12	
28	0321-012035	Bolt	84		32	0321-012035	Bolt	84		32	0321-012035	Bolt	84	
29	0931-012000	Washer, Spring	84		33	0931-012000	Washer, Spring	84		33	0931-012000	Washer, Spring	84	
30	0410-012000	Nut	84		34	0421-012000	Nut	84		34	0421-012000	Nut	84	
31	1450-200029	Blade, LH	21		35	1450-200029	Blade, LH	21		35	1450-200029	Blade, LH	21	
32	1450-200030	Blade, RH	21		36	1450-200030	Blade, RH	21		36	1450-200030	Blade, RH	21	
33	1650-300025	Shaft, RH	1		37	1650-300025	Shaft, RH	1		37	1650-300025	Shaft, RH	1	
34	0251-005300	Seal, Group	1		38	0251-005300	Seal, Group	1		38	0251-004500	Seal, Group	1	
35	0310-062080	Bearing, Ball	1		39	0121-006208	Bearing, Ball	1		39	0121-006208	Bearing, Ball	1	
36	0800-000100	Ring, Snap	1		40	0800-200080	Ring, Snap	1		40	0800-200080	Ring, Snap	1	
37	1650-300027	Boss, Tillage	1		41	1650-300027	Boss, Tillage	1		41	1650-300027	Boss, Tillage	1	
38	S072-402000	Bracket	1		42	S072-402000	Bracket	1		42	S072-402000	Bracket	1	
39	1331-123000	M38 Nut	1		43	1331-123000	M38 Nut	1		43	1331-123000	M38 Nut	1	
40	0910-300085	O-Ring	1		44	0910-300085	O-Ring	1		44	0910-300085	O-Ring	1	
41	1650-300028	Cover, Bearing	1		45	1650-300028	Cover, Bearing	1		45	1650-300028	Cover, Bearing	1	
42	0231-080001	plug, grease	1		46	0231-080001	plug, grease	1		46	0231-080001	plug, grease	1	
43	0321-010025	Bolt w/washer	4		47	0327-012020	Bolt w/washer	4		47	0327-012020	Bolt w/washer	4	
44	1650-300029	Guard ,Bracket	1		48	1650-300029	Guard ,Bracket	1		48	1650-300029	Guard ,Bracket	1	
45	0327-012025	Bolt w/washer	4		49	0327-012025	Bolt w/washer	4		49	0327-012025	Bolt w/washer	4	
46	0327-012030	Bolt w/washer	2		50	0327-012030	Bolt w/washer	2		50	0327-012030	Bolt w/washer	2	
47	Y1607-120	Skid LH	1		51	Y1607-120	Skid LH	1		51	Y1607-120	Skid LH	1	
48	Y1607-130	Skid RH	1		52	Y1607-130	Skid RH	1		52	Y1607-130	Skid RH	1	
49	0310-012035	Bolt	4		53	0310-012035	Bolt	4		53	0310-012035	Bolt	4	
50	0931-012000	Washer, Spring	4		54	0931-012000	Washer, Spring	4		54	0931-012000	Washer, Spring	4	
51	0410-012000	Nut	4		55	0423-012000	Nut	4		55	0423-012000	Nut	4	
Serial No	S720001 ~ S720040				Serial No	S720041 ~ S720088 S720001G ~ S720072G S720001R ~ S720044R				Serial No	S720073G ~ S720045R ~			