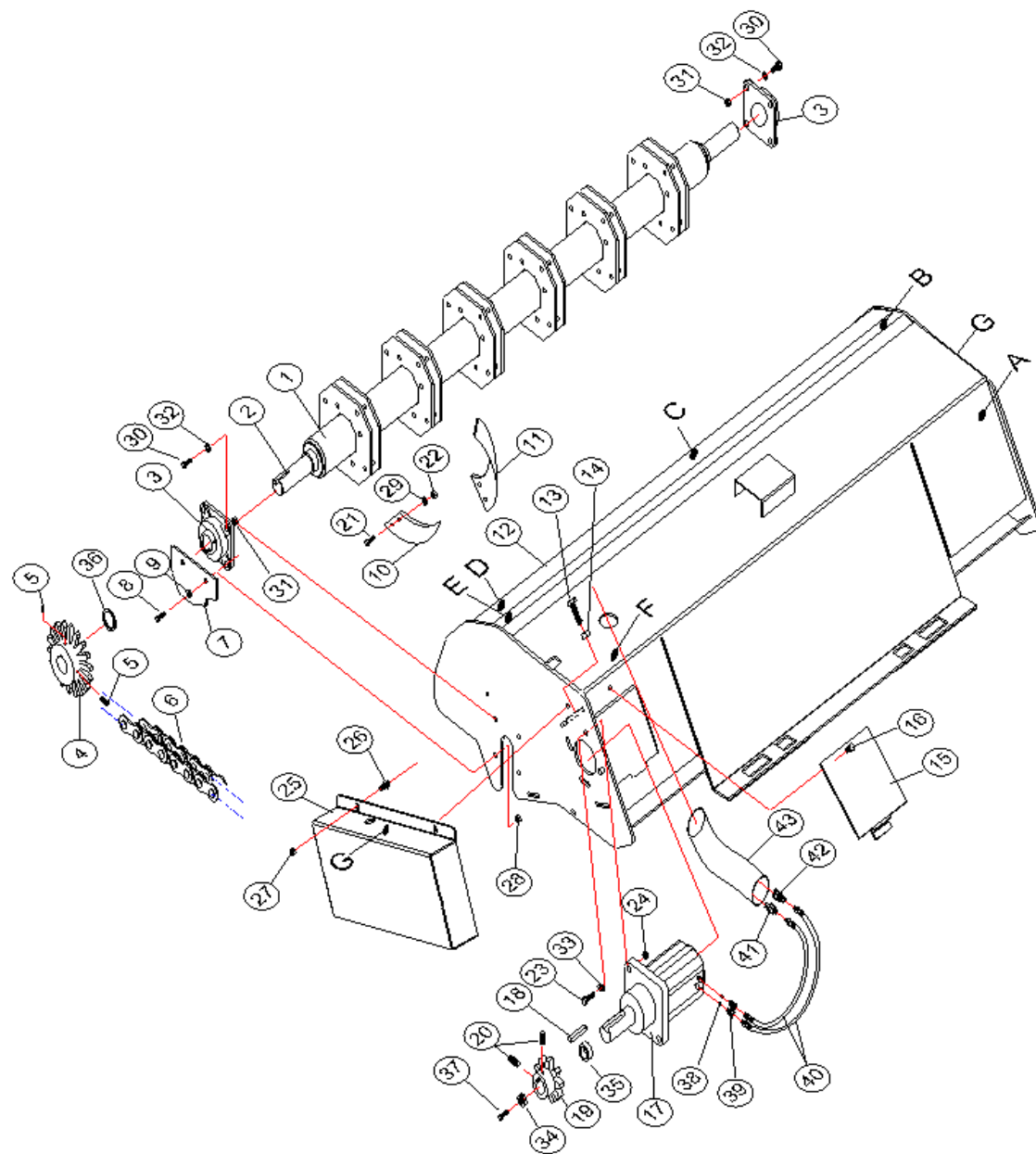


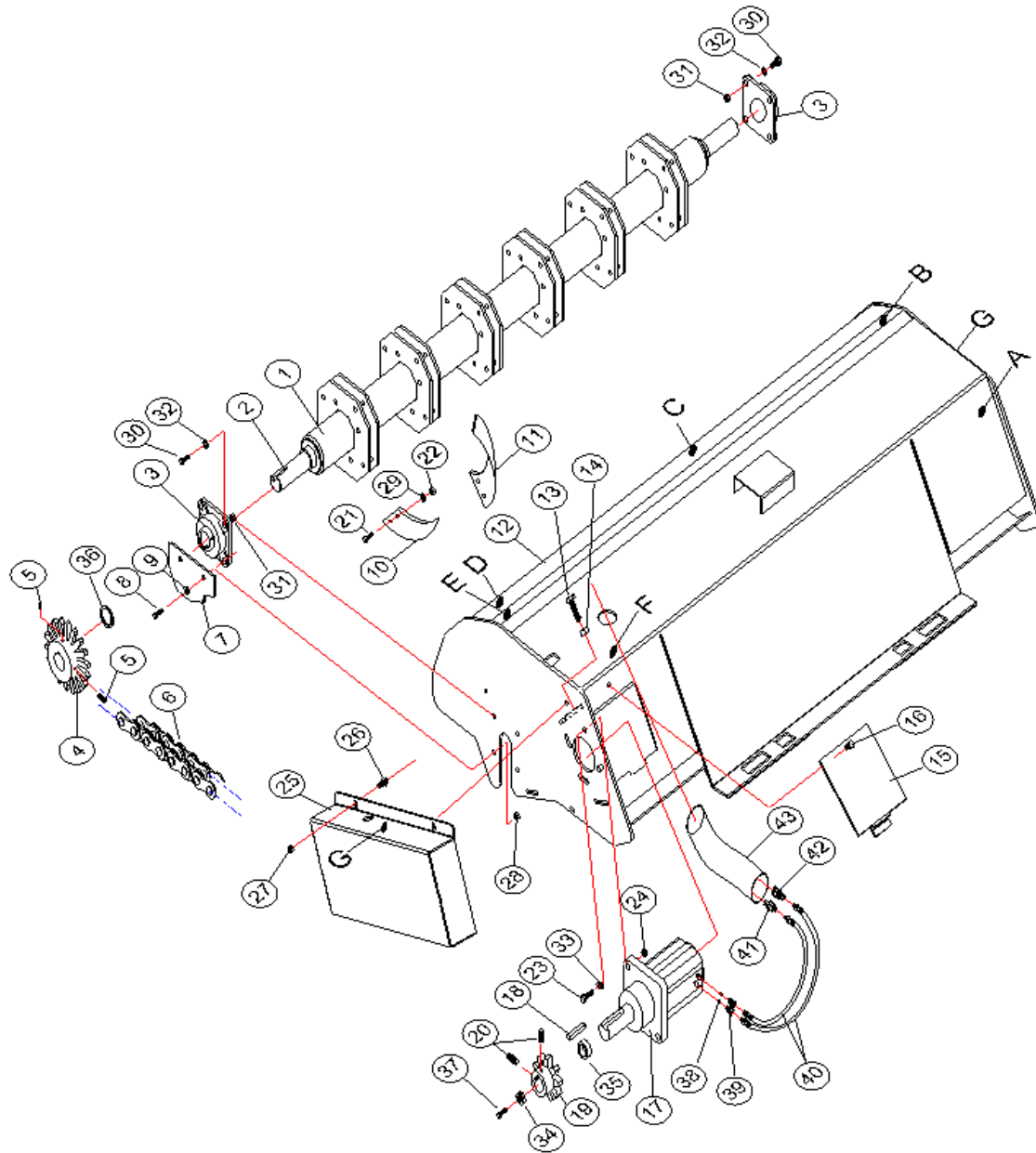


TILLER MODEL SRT 072

PART CATALOGUE



| SRT 072 | | | | Rotary Tiller | | | | | |
|------------|--------------|-----------------------|--------|---------------|-----------|----------|-------------|-------|--|
| Revision 0 | | | | Revision 1 | | | | | |
| Ref No | Part No | DESCRIPTION | MODEL | | Ref. No. | Part No. | DESCRIPTION | MODEL | |
| | | | SRT072 | | | | | | |
| 1 | SRT72-501000 | Tiller Shaft Assembly | 1 | | | | | | |
| 2 | KEY1-100840 | Key | 1 | | | | | | |
| 3 | UCF0-209045 | Unit Bearing | 2 | | | | | | |
| 4 | SRT72-501060 | 22T Sprocket | 1 | | | | | | |
| 5 | 0328-508010 | Scoket set screw | 2 | | | | | | |
| 6 | SRT72-302010 | Chain | 1 | | | | | | |
| 7 | SRT72-501070 | Shaft Support Plate | 1 | | | | | | |
| 8 | 0310-012050 | Hex Head Bolt | 2 | | | | | | |
| 9 | SRT72-401070 | Plain washer | 2 | | | | | | |
| 10 | SRT72-502010 | Cupped Blades RH | 12 | | | | | | |
| 11 | SRT72-502020 | Cupped Blades LH | 12 | | | | | | |
| 12 | SRT72-01000 | Cover Assembly | 1 | | | | | | |
| 13 | 0310-012080 | Hex Head Bolt | 1 | | | | | | |
| 14 | 0423-012000 | Hex Head Nut | 1 | | | | | | |
| 15 | SRT72-402010 | Hydraulic Moter Cover | 1 | | | | | | |
| 16 | 0322-010025 | Hex Head Bolt | 1 | | | | | | |
| 17 | MOTO-F2609 | Hydraulic Moter | 1 | | | | | | |
| 18 | KEY2-080833 | Key | 1 | | | | | | |
| 19 | SRT72-301010 | 9T Sprocket | 1 | | | | | | |
| 20 | 0328-508010 | Socket Set Screw | 2 | | | | | | |
| 21 | 0321-014045 | Hex Head Bolt | 48 | | | | | | |
| 22 | 0400-014000 | Hex Head Nut | 48 | | | | | | |
| 23 | 0310-012050 | Hex Head Bolt | 4 | | | | | | |
| 24 | 0410-012000 | Nylon Nut | 4 | | | | | | |
| 25 | SRT72-202000 | Chain Cover Assembly | 1 | | | | | | |
| Serial No | | | | | Serial No | | | | |



| SRT 072 | | | | Rotary Tiller | | | | | |
|------------|--------------|---------------------|--------|---------------|-----------|----------|-------------|-------|--|
| Revision 0 | | | | Revision 1 | | | | | |
| Ref No | Part No | DESCRIPTION | MODEL | | Ref. No. | Part No. | DESCRIPTION | MODEL | |
| | | | SRT072 | | | | | | |
| 26 | 0320-010030 | Flange Bolt | 2 | | | | | | |
| 27 | 0420-010000 | Flange Nut | 2 | | | | | | |
| 28 | 0410-012000 | Nylon Nut | 2 | | | | | | |
| 29 | 0931-014000 | Spring Washer | 48 | | | | | | |
| 30 | 0310-012045 | Hex Head Bolt | 6 | | | | | | |
| 31 | 0410-012000 | Nylon Nut | 6 | | | | | | |
| 32 | SRT72-401070 | Plain Washer | 6 | | | | | | |
| 33 | SRT72-401070 | Plain Washer | 4 | | | | | | |
| 34 | SRT72-302020 | Outer Collar | 1 | | | | | | |
| 35 | SRT72-302030 | Inner Collar | 1 | | | | | | |
| 36 | SRT72-302040 | Tiller Shaft Collar | 1 | | | | | | |
| 37 | 0321-010025 | 3/8" Inch Bolt | 1 | | | | | | |
| 38 | 0910-300013 | O-Ring | 2 | | | | | | |
| 39 | SRT72-401040 | Pipe Swivel | 2 | | | | | | |
| 40 | SRT72-401050 | Hydraulic Hose | 2 | | | | | | |
| 41 | SRT72-401020 | Coupling(Male) | 1 | | | | | | |
| 42 | SRT72-401030 | Coupling(Female) | 1 | | | | | | |
| 43 | SRT72-401060 | Abrasion Sleeve | 1 | | | | | | |
| Serial No | | | | | Serial No | | | | |