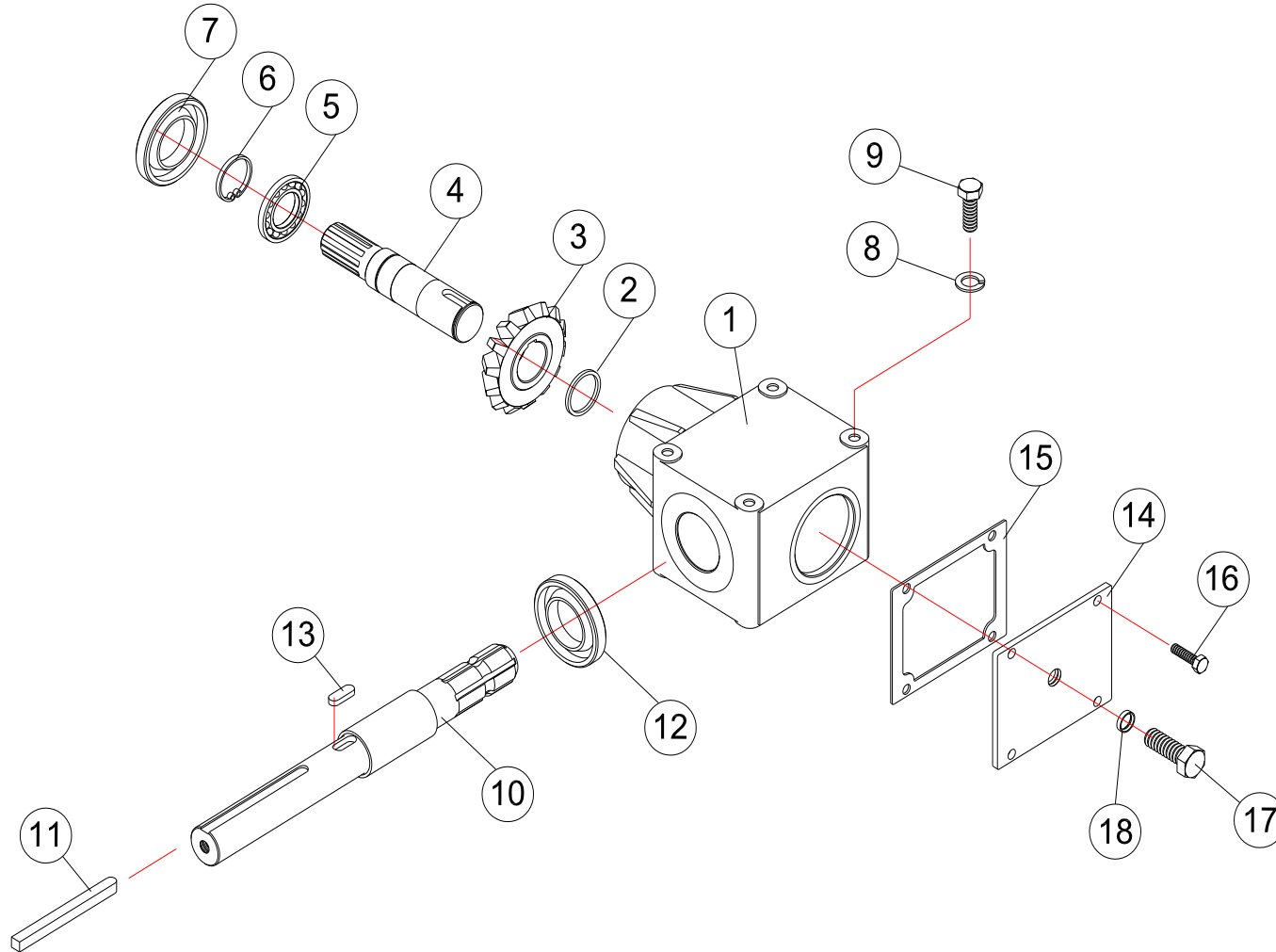


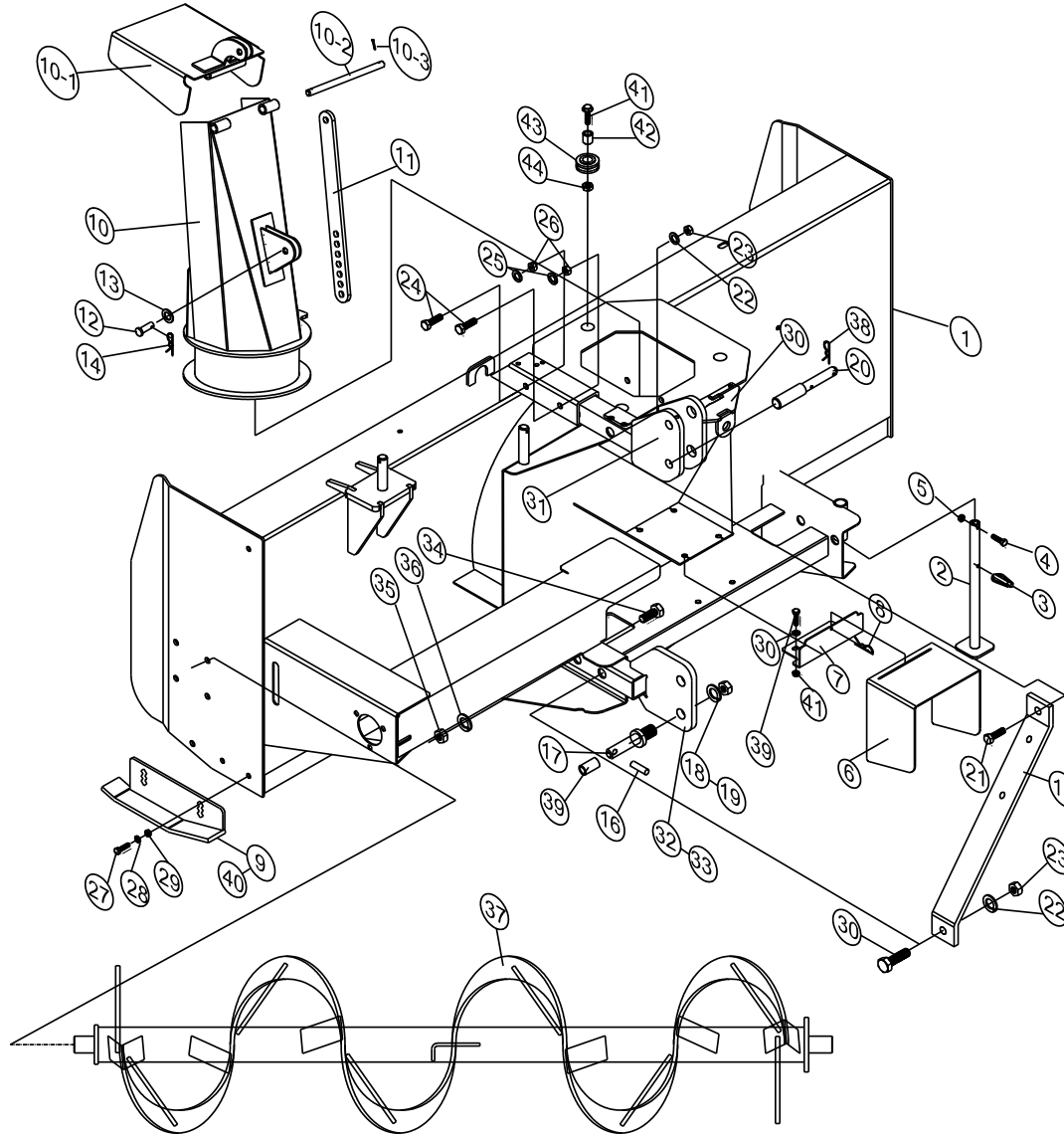


TILLER MODEL SBT074H

PART CATALOGUE



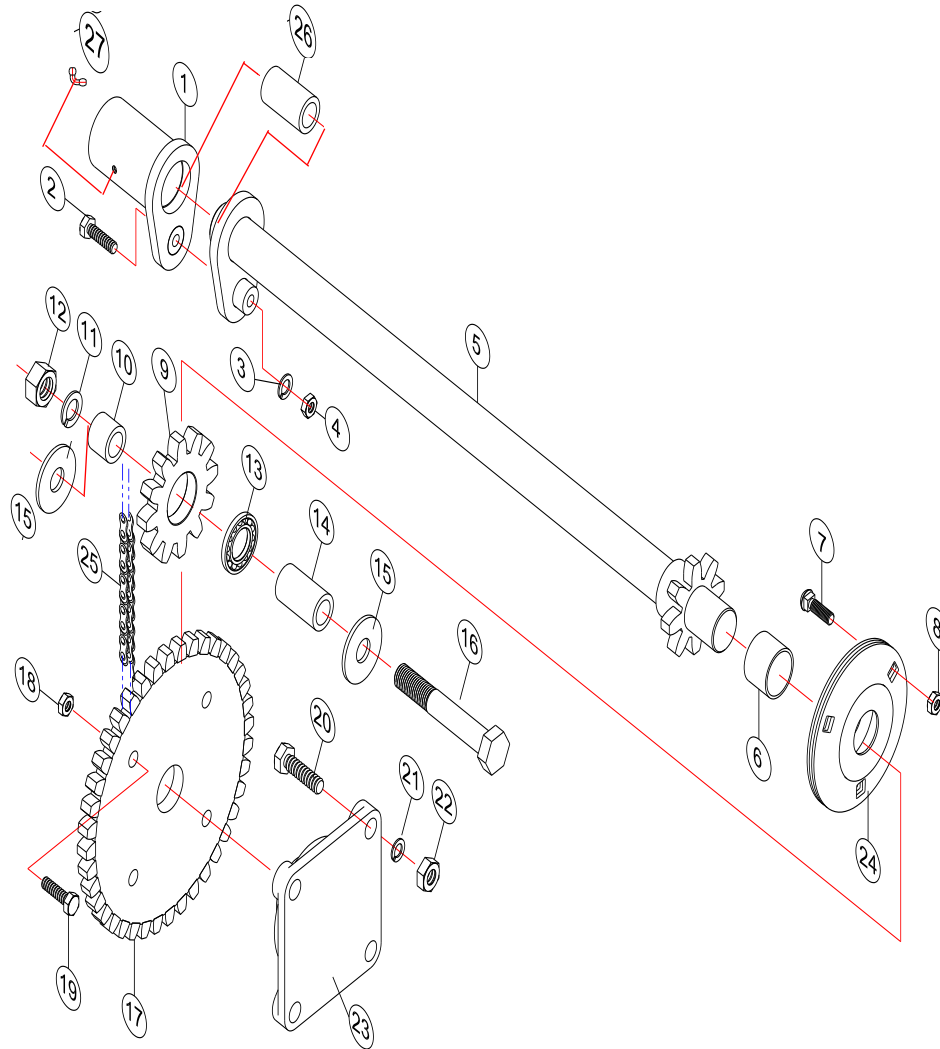
SBT074 H				MISSION GROUP					
Revision 0				Revision 1					
Ref No	Part No	DESCRIPTION	MODEL		Ref. No.	Part No.	DESCRIPTION	MODEL	
			SBT074H						
1	S64-101010	Case, Mission	1						
2	0800-100035	Ring, Snap	2						
3	SBT74-101020	15T Gear, Bevel	2						
4	S64-101030	Shaft, Driver	1						
5	0121-006207	Bearing, Ball	4						
6	0800-200072	Ring, Snap	2						
7	0240-357210	Seal, Oil	2						
8	0931-010000	Washer, Spring	8						
9	0322-010025	Bolt	8						
10	SBT74-101040	Shaft, Input	1						
11	SBT74-101050	Key	1						
12	0240-355207	Seal, Oil	1						
13	S64-101060	Key, Round	2						
14	S64-101070	Cover, Shaft, input	1						
15	S64-101080	Packing, Cover, Shaft	1						
16	0321-008025	Bolt, w/washer	4						
17	YJR145-100500	Bolt	1						
18	0920-020000	Washer, Packing	1						
Serial No	H740001 ~				Serial No				



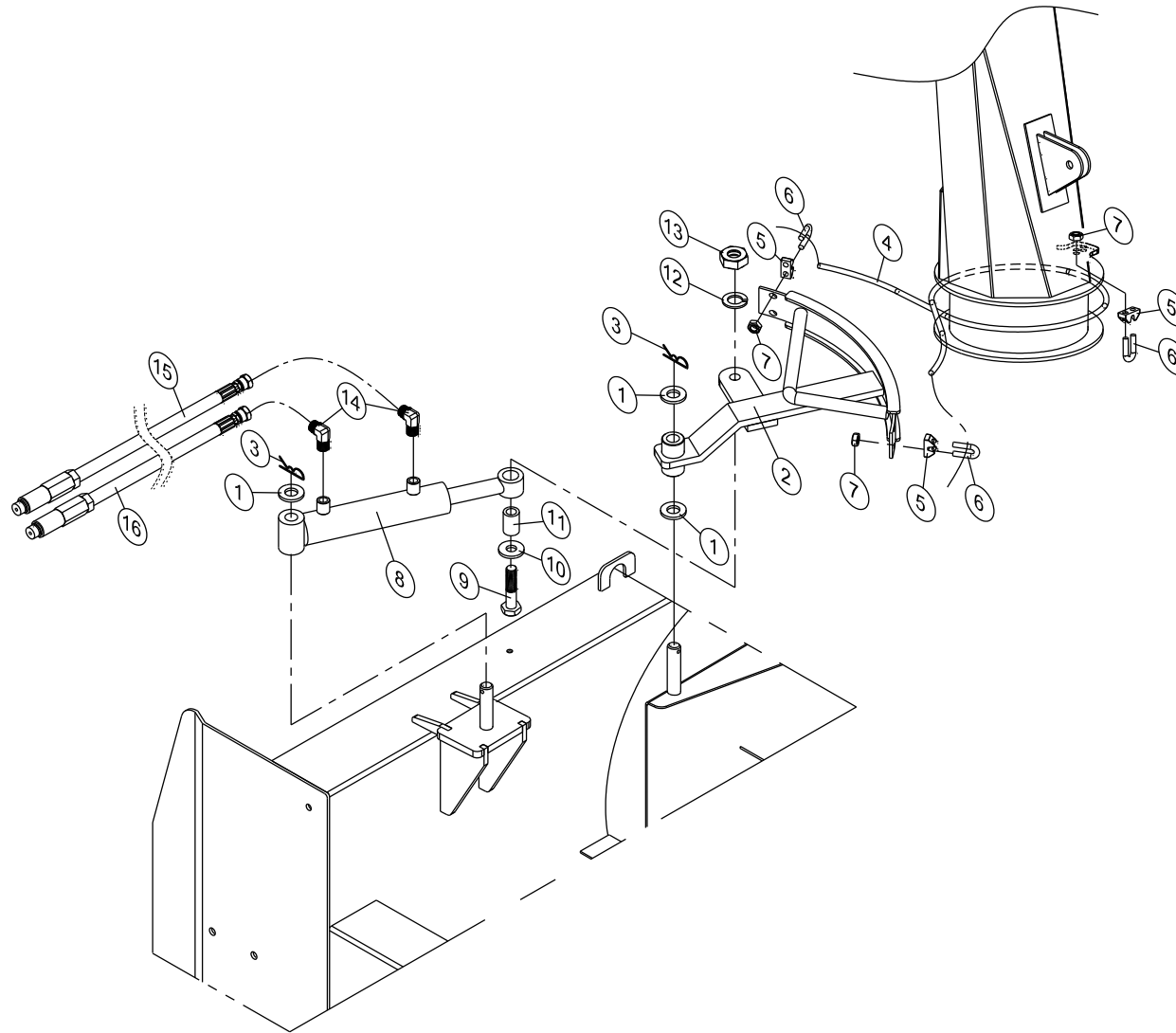
SBT074 H

FRAME & CHUTE ASSEMBLE GROUP

Revision 0				Revision 1					
Ref No	Part No	DESCRIPTION	Model		Ref. No.	Part No.	DESCRIPTION	Model	
			SBT074H						
1	SB74-200000	Frame Assembly	1						
2	S64-201260	Stand	1						
3	1461-306000	Pin, Ring	1						
4	0310-060030	Bolt	1						
5	0410-06000	Nut, Nylon	1						
6	S64-801010	Cover, Safety	1						
7	S64-801020	Bracket, cover	1						
8	0820-200065	Pin, R-Shape	1						
9	S64-901000	Skid, Lh	1						
10	SB74-501000	Chute Assembly 1	1						
10-1	SB74-502000	Chute Assembly 2	1						
10-2	SB74-501090	Rod, Hinge	1						
10-3	0832-103025	Split pin	1						
11	SB74-501070	Adjustable Rod	2						
12	0851-012035	Pin	2						
13	0930-012000	Washer	2						
14	0832-200020	Pin, R-Shape	2						
15	SBT74-206000	Stay	2						
16	1461-306000	Pin, Ring	2						
17	S64-203040	Pin, Lower Link	2						
18	0931-024000	Washer, Spring	2						
19	0410-024000	Nut	2						
20	SBT74-203050	Pin, Top Link	1						
21	0310-016095	Bolt	1						
22	0931-016000	Washer, Spring	3						
23	0410-016000	Nut	3						
24	0310-012080	Bolt	2						
25	0931-012000	Washer, Spring	2						
26	0410-012000	Nut	2						
27	0328-212026	Bolt, Carriage	4						
28	0931-012000	Washer, Spring	4						
29	0422-012000	Nut	4						
30	0310-016085	Bolt	2						
31	SBT74-202000	Master	1						
32	SBT74-204000	Link Arm, Lh	1						
33	SBT74-203000	Link Arm, Rh	1						
34	0310-020085	Bolt	4						
35	0410-020000	Nut	4						
36	0931-020000	Washer, Spring	4						
37	SBT74-400000	Auger Ass'y	1						
38	0832-200050	Pin, R-Shape	1						
39	SBT74-203060	Collar, Lower Link Pin	2						
40	S64-902004	Skid, Rh	1						
41	0320-012040	Bolt, flange	3						
42	S64-503031	Collar, spin	3						
43	S64-503021	Roller, spin	3						
44	0420-012000	Nut, flange	3						
Serial No	H740001 ~			Serial No					



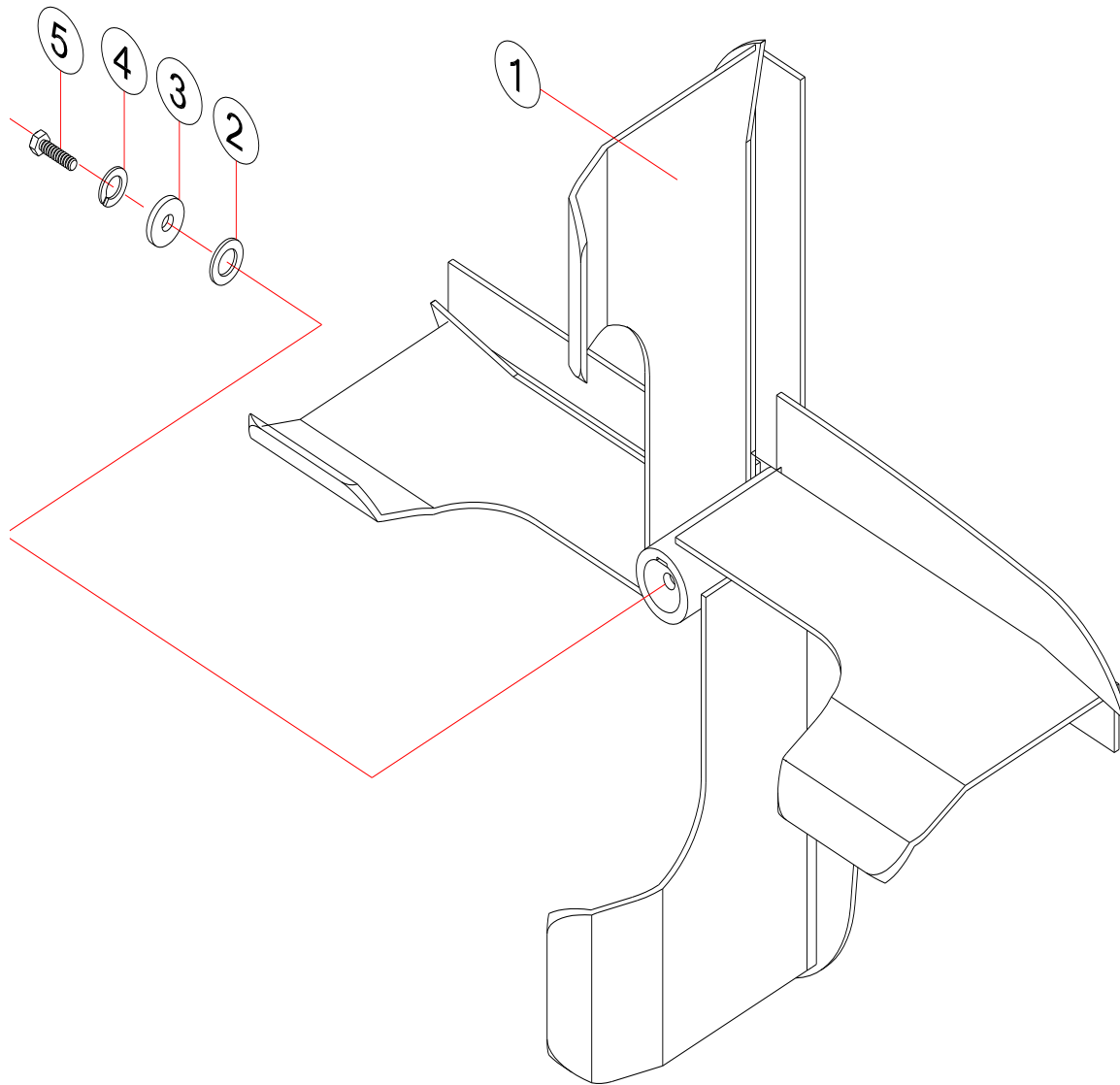
SBT074 H				DRIVING SHAFT GROUP					
Revision 0				Revision 1					
Ref No	Part No	DESCRIPTION	Model		Ref. No.	Part No.	DESCRIPTION	Model	
			SBT074H						
1	S74-301000	Spline	1						
2	0321-010045	Bolt	1						
3	0931-010000	Washer, Spring	1						
4	0421-010000	Nut	1						
5	SBT74-302001	Shaft, Driver	1						
6	S64-302030	Collar 3	1						
7	0328-210015	Bolt, Carriage	3						
8	0422-010000	Nut, Nylon	3						
9	S64-303030	Sprocket 2	1						
10	S64-303040	Collar 2	1						
11	0931-016000	Washer, Spring	1						
12	0410-016000	Nut	1						
13	0410-006003	Bearing, Ball	1						
14	S64-303020	Collar 1	1						
15	S64-303010	Collar	2						
16	S64-016115	Shaft, Tension	1						
17	S64-303050	Sprocket 1	1						
18	0422-010000	Nut, Nylon	4						
19	0321-010035	Bolt	4						
20	0310-012035	Bolt	8						
21	0931-012000	Washer, Spring	8						
22	0410-012000	Nut	8						
23	UCF207	Bearing unit	2						
24	UBPF206	Bearing unit	1						
25	SBT74-303060	Chain	1						
26	S64-002020	Bushing	1						
27	0240-060000	Plug, Grease	1						
Serial No	H740001 ~				Serial No				



SBT074 H

CHUTE ROTATION ADJUST GROUP

Revision 0				Revision 1					
Ref No	Part No	DESCRIPTION	Model		Ref. No.	Part No.	DESCRIPTION	Model	
			SBT074H						
1	SB74-503090	Collar B	3						
2	SB74-503000	Swing, Arm	1						
3	0832-200050	Pin, R-Shape	2						
4	SB74-060010	Wire	1						
5	Y010-101010	Casting Clip Set - Body	3						
6	Y010-101020	Casting Clip Set - Ubolt	3						
7	Y010-101030	Casting Clip Set - Nut	3						
8	SB64-601000	Cylinder	1						
9	0310-016075	Bolt	1						
10	SB74-503080	Collar A	1						
11	SB74-503070	Boss A	1						
12	0931-012000	Spring, Washer	1						
13	0423-012000	Nut	1						
14	Y100-870020	Elbow	1						
15	SB74-601020	Hose B (1600)	1						
16	SB74-601010	Hose A (1800)	1						
Serial No	H740001 ~				Serial No				



SBT074 H				FAN ASSEMBLY GROUP					
Revision 0				Revision 1					
Ref No	Part No	DESCRIPTION	Model		Ref.No.	Part No.	DESCRIPTION	Model	
			SBT074H						
1	S74-700000	Fan Assembly	1						
2	S64-701050	Washer	1						
3	0930-010000	Washer	1						
4	0931-010000	Washer, Spring	1						
5	0321-010040	Bolt	1						
Serial No	H740001 ~				Serial No				